

BALDOR® • RELIANCE 

Product Information Packet

CSSEWDM3615T

5HP, 1750RPM, 3PH, 60HZ, 184TC, 3646M, TEFC, F1

Part Detail							
Revision:	Q	Status:	PRD/A	Change #:		Proprietary:	No
Type:	AC	Elec. Spec:	36WGS953	CD Diagram:	CD0005	Mfg Plant:	
Mech. Spec:	36G560	Layout:	36LYG560	Poles:	04	Created Date:	06-04-2012
Base:	RG	Eff. Date:	03-07-2017	Leads:	9#16		

Specs			
Catalog Number:	CSSEWDM3615T	Insulation Class:	H
Enclosure:	TEFC	Inverter Code:	Inverter Ready
Frame:	184TC	KVA Code:	J
Frame Material:	Stainless Steel	Lifting Lugs:	Standard Lifting Lugs
Output @ Frequency:	5.000 HP @ 60 HZ	Locked Bearing Indicator:	Locked Bearing
Synchronous Speed @ Frequency:	1800 RPM @ 60 HZ	Motor Lead Quantity/Wire Size:	9 @ 16 AWG
Voltage @ Frequency:	230.0 V @ 60 HZ	Motor Lead Exit:	Ko Box
	460.0 V @ 60 HZ	Motor Lead Termination:	Flying Leads
XP Division:	Not Applicable	Motor Type:	3646M
Agency Approvals:	UR	Mounting Arrangement:	F1
	CSA	Power Factor:	81
Auxillary Box:	No Auxillary Box	Product Family:	Washdown All Stainless
Auxillary Box Lead Termination:	None	Pulley End Bearing Type:	Sealed Bearing
Base Indicator:	Rigid	Pulley Face Code:	C-Face
Bearing Grease Type:	Polyrex EM (-20F +300F)	Pulley Shaft Indicator:	Standard
Blower:	None	Rodent Screen:	None
Current @ Voltage:	13.000 A @ 230.0 V	Shaft Extension Location:	Pulley End
	13.800 A @ 208.0 V	Shaft Ground Indicator:	No Shaft Grounding

	6.500 A @ 460.0 V	Shaft Rotation:	Reversible
Design Code:	B	Shaft Slinger Indicator:	Shaft Slinger
Drip Cover:	No Drip Cover	Speed Code:	Single Speed
Duty Rating:	CONT	Motor Standards:	NEMA
Electrically Isolated Bearing:	Not Electrically Isolated	Starting Method:	Direct on line
Feedback Device:	NO FEEDBACK	Thermal Device - Bearing:	NONE (OLD)
Front Face Code:	Standard	Thermal Device - Winding:	None
Front Shaft Indicator:	None	Vibration Sensor Indicator:	No Vibration Sensor
Heater Indicator:	No Heater	Winding Thermal 1:	None
		Winding Thermal 2:	None

Nameplate NP1953B01													
CAT.NO.	CSSEWDM3615T												
SPEC.	36G560S953G1												
HP	5												
VOLTS	230/460												
AMP	13/6.5												
RPM	1750												
FRAME	184TC					HZ	60						
SER.F.	1.15				CODE	J		DES	B				
NEMA-NOM-EFF	89.5					PF	81			CLASS	H	PH	3
RATING	40C AMB-CONT												
CC	010A					USABLE AT 208V				13.8			
DE	6206					ODE	6206						
ENCL	TEFC			SN									

Parts List		
Part Number	Description	Quantity
SA245918	SA 36G560S953G1	1.000 EA
RA232803	RA 36G560S953G1	1.000 EA
36FN3000A01SP	EXFN, PLASTIC, 7.00 OD, .912 ID	1.000 EA
11XW1032G06	10-32 X .38, TAPTITE II, HEX WSHR SLTD U	1.000 EA
HW3001B01	BRASS CUP WASHER, FOR #10 SCREW	1.000 EA
36FE1912A05	FREP TEFC 206 BRG (STAINLESS)	1.000 EA
RM1070A42	O-RING,(#70-7.239) VITON .070X7.239	1.000 EA
HW4600F25	30 X 48 X 4.5 AFX SEAL, GRAPHITE INFUSED	1.000 EA
HW4500A33	1/8 NPT STAINLESS,HOLO-KROME #13002,PRES	3.000 EA
HW5100A06	W2420-025 WVY WSHR (WB)	1.000 EA
36PE1913A03	PUEP 182-4TC ENCL 206 BRG (STAINLESS)	1.000 EA
RM1070A42	O-RING,(#70-7.239) VITON .070X7.239	1.000 EA
HW4600F25	30 X 48 X 4.5 AFX SEAL, GRAPHITE INFUSED	1.000 EA
HW4500A33	1/8 NPT STAINLESS,HOLO-KROME #13002,PRES	3.000 EA
RM1070A14	O-RING, -010 VITON/FKM .070CS X .239ID	4.000 EA
51XB1214A16	12-14X1.00 HXWSSLD SERTYB	1.000 EA
36FH4007	FAN COVER #304 STAINLESS W/OUT GREASER	1.000 EA
10XN1032S06	HEX HD CAP SCREW, SS	3.000 EA
36CB4517	LIPPED CB LID #304 STAINLESS - CLEANED	1.000 EA
37GS3010SP	1/16"WHITE LID GASKET	1.000 EA
59XN0832S07	8/32 X 7/16 HX WS HD SER X	4.000 EA
HW2502E16	#303 SS,SQ KEY 1/4 X 1.750	1.000 EA
HA7000A02	KEY RETAINER RING, 1 1/8 DIA, 1 3/8 DIA	1.000 EA
MJ5001A27	32220KN GRAY SEALER *MIN BUY 4 QTS=1GAL	0.005 QT

Parts List (continued)		
Part Number	Description	Quantity
MJ5004A37	#76732 LOCTITE ANTISEIZE THRD COMPOUND	0.005 EA
HA5027A02	HA4054 T-DRAIN X2 BAGGED WITH LABEL	1.000 EA
HW3200S01	EYEBOLT 3/8-16 X3/4 S.S. TDR #35988	1.000 EA
MJ1000A02	GREASE, POLYREX EM EXXON (USe 4824-15A)	0.050 LB
WD5603A01	KIT, CLOSED-END LEAD SPLICE (18-14GA)	1.000 EA
HA3101S29	THRUBOLT- 1/4-20X13.00 SS	4.000 EA
G0PA1000	PKG GRP, PRINT PK1026A06	1.000 EA
MN416A01	TAG-INSTAL-MAINT no wire (1200/bx) 5/18	1.000 EA
HA5027A07	85XU1208S08 FACE DRAIN PINS BAGGED	1.000 EA

AC Induction Motor Performance Data

Record # 57384 - Typical performance - not guaranteed values

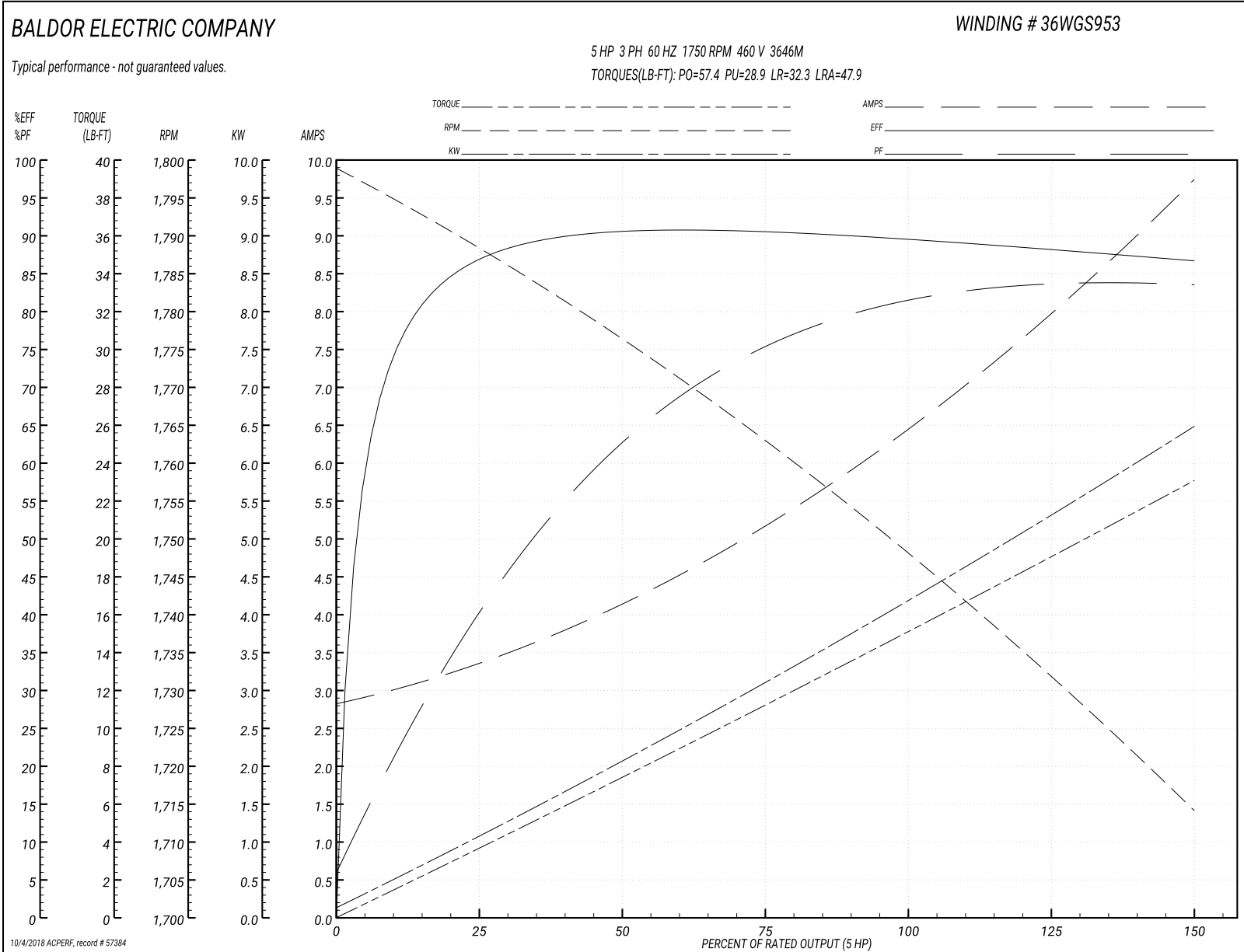
Winding: 36WGS953-R006	Type: 3646M	Enclosure: TEFC
-------------------------------	--------------------	------------------------

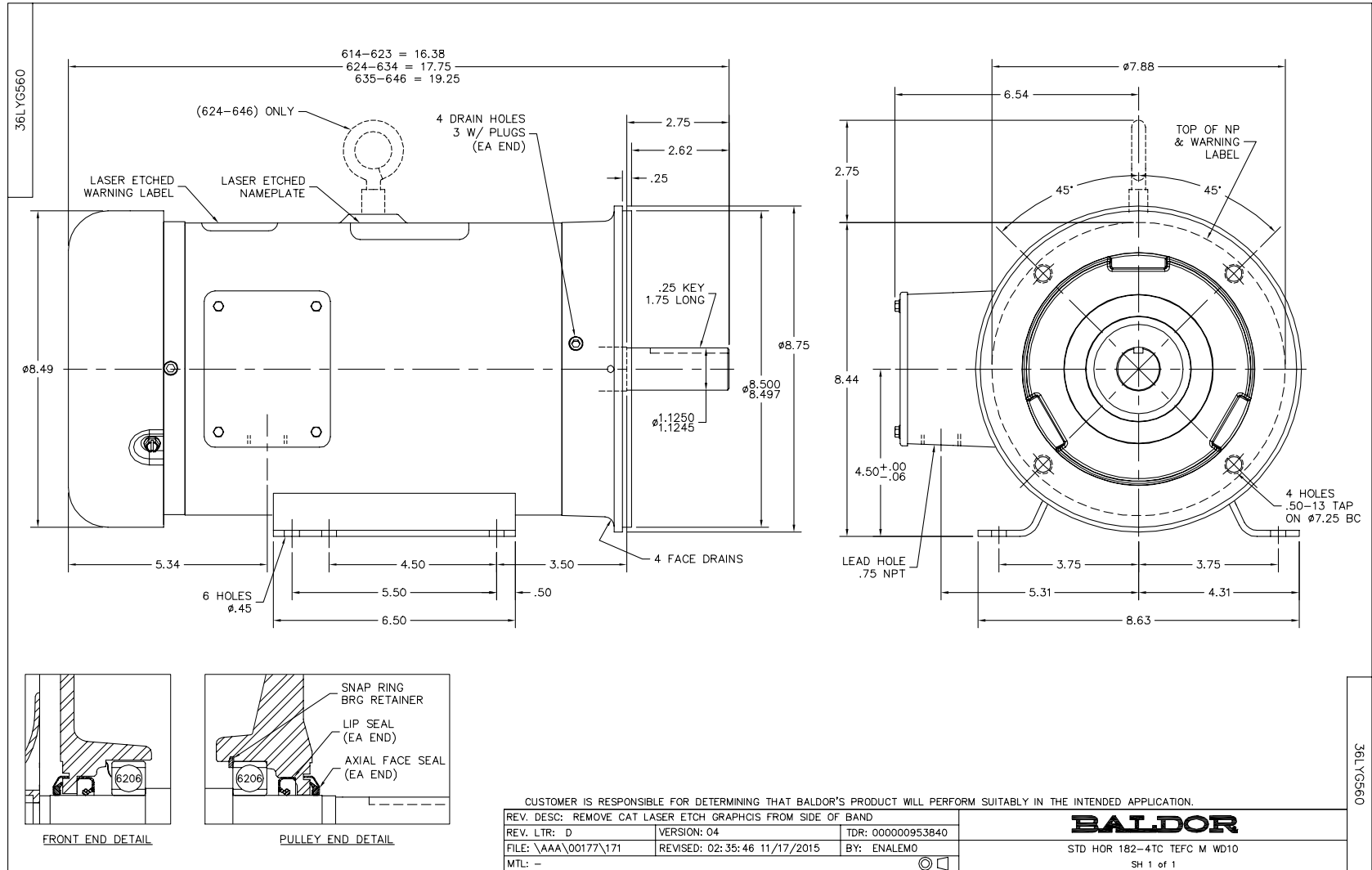
Nameplate Data				460 V, 60 Hz: High Voltage Connection	
Rated Output (HP)	5			Full Load Torque	15.03 LB-FT
Volts	230/460			Start Configuration	direct on line
Full Load Amps	13/6.5			Breakdown Torque	57.4 LB-FT
R.P.M.	1750			Pull-up Torque	28.9 LB-FT
Hz	60	Phase	3	Locked-rotor Torque	32.3 LB-FT
NEMA Design Code	B	KVA Code	J	Starting Current	47.9 A
Service Factor (S.F.)	1.15			No-load Current	2.91 A
NEMA Nom. Eff.	89.5	Power Factor	81	Line-line Res. @ 25°C	2.34 Ω
Rating - Duty	40C AMB-CONT			Temp. Rise @ Rated Load	75°C
S.F. Amps				Temp. Rise @ S.F. Load	107°C
				Locked-rotor Power Factor	39
				Rotor inertia	0.428 LB-FT ²

Load Characteristics 460 V, 60 Hz, 5 HP

% of Rated Load	25	50	75	100	125	150	S.F.
Power Factor	42	64	75	90	83	84	82
Efficiency	86.7	90.5	90.8	89.3	88.4	86.6	89.1
Speed	1788	1776	1763	1748	1732	1714	1738
Line amperes	3.27	4.1	5.2	6.53	8.02	9.69	7.41

Performance Graph at 460V, 60Hz, 5.0HP Typical performance - Not guaranteed values





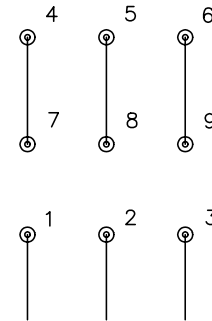
CD0005



LOW VOLTAGE
(2Y)



HIGH VOLTAGE
(1Y)



NOTES:

1. INTERCHANGE ANY TWO LINE LEADS TO REVERSE ROTATION.
2. OPTIONAL THERMOSTATS ARE PROVIDED WHEN SPECIFIED.
3. ACTUAL NUMBER OF INTERNAL PARALLEL CIRCUITS MAY BE A MULTIPLE OF THOSE SHOWN ABOVE.
4. LEAD COLORS ARE OPTIONAL. LEADS MUST ALWAYS BE NUMBERED AS SHOWN.

REV. DESC: REVISE TO SHOW OPTIONAL COLORS

REV. LTR: E BY: JLP

REVISED: 01/19/99 10:15

TDR: 0171435

90000

FILE: AAA00005140

MDL: -

MTL: -

BALDOR ELECTRIC Co.

3PH, DV, 9 LEADS

CD0005