

BALDOR® • RELIANCE 

Product Information Packet

D2030R-BV

30HP,1750RPM,DC,2113ATZ,DPG-FV,

| Part Detail | | | | | | | |
|-------------|-------|-------------|-------|----------------|----------|---------------|------------|
| Revision: | - | Status: | PRD/A | Change #: | | Proprietary: | No |
| Type: | DC | Prod. Type: | | Elec. Spec: | G6014C B | CD Diagram: | 406770-006 |
| Enclosure: | DP | Mfg Plant: | | Mech. Spec: | | Layout: | 616002-001 |
| Frame: | LC211 | Mounting: | F1 | Poles: | 00 | Created Date: | 04-09-2015 |
| Base: | | Rotation: | R | Insulation: | F | Eff. Date: | 04-13-2015 |
| Field Type: | | Literature: | | Elec. Diagram: | | Replaced By: | |

| Specs | | | |
|---------------------------|-------------------------|--|--|
| Enclosure: | DP | | |
| Frame: | LC2113ATZ | | |
| Frame Material: | Steel | | |
| Agency Approvals: | CCSA US | | |
| Base Indicator: | Rigid | | |
| Bearing Grease Type: | Polyrex EM (-20F +300F) | | |
| Drip Cover: | No Drip Cover | | |
| Duty Rating: | CONT | | |
| Feedback Device: | NO FEEDBACK | | |
| Field Winding Type: | STR SHUNT | | |
| Frame Prefix: | LC | | |
| Heater Indicator: | No Heater | | |
| Insulation Class: | F | | |
| Lifting Lugs: | Standard Lifting Lugs | | |
| Mounting Arrangement: | F1 | | |
| Shaft Extension Location: | Pulley End | | |

| | | | |
|---------------------------------|--------------------|--|--|
| Shaft Ground Indicator: | No Shaft Grounding | | |
| Shaft Slinger Indicator: | No Slinger | | |
| Motor Standards: | NEMA | | |

| Parts List | | |
|-------------|--|----------|
| Part Number | Description | Quantity |
| SA297121 | SA T21T1375 | 1.000 EA |
| AA016157 | AA T21T1375 | 1.000 EA |
| 000613006HP | NAMEPLATE - RPM III D-C MOTOR W/CSA LOGO | 1.000 EA |
| 000692000FP | NP, WARNING LIFT INSTRUCTIONS | 1.000 EA |
| 000692000FS | WARNING LABEL | 1.000 EA |
| 036170004EA | ROUND HEAD DRIVE SCREW | 6.000 EA |
| 406770006 | C/D TAG STRAIGHT SHUNT | 1.000 EA |
| 036000012HB | HHCS M6X12MM LONG PLATED | 4.000 EA |
| 036000020KB | MHHCS M10-1.5X20MM PLTD. | 4.000 EA |
| 036501008AB | KPNUT M6-1.0 ZINCPLETED | 8.000 EA |
| 036610010AB | MHSLW M10 PLATED | 4.000 EA |
| 419904051AB | BRUSH EXTRUDER DUTY C | 8.000 EA |
| 419905003A | FLAT WASHER ROCKER RPM III RGG | 4.000 EA |
| 419905008A | HARDWARE | 8.000 EA |
| 706364051RE | BRHLD METRIC SPRING CHG. | 4.000 EA |
| 706372011RA | ROCKR METRIC | 1.000 EA |
| 034693001AB | PPLG - G508- use 034692001AB | 1.000 EA |
| 034693001AB | PPLG - G508- use 034692001AB | 1.000 EA |
| 035000001A | ALFTG 1/8" 1610-BL | 1.000 EA |
| 035000001BB | GREASE FTG,GRS.IN | 1.000 EA |
| 036000055JB | HHCS,DE CAP | 2.000 EA |
| 036000060KB | HHCS,DE CAP | 3.000 EA |
| 036500010AB | METRIC NUT M10-1.5PLTD400 | 4.000 EA |
| 036500010AB | METRIC NUT M10-1.5PLTD400 | 4.000 EA |

| Parts List (continued) | | |
|------------------------|-----------------------------------|----------|
| Part Number | Description | Quantity |
| 048977006B | GRFTG - XP | 1.000 EA |
| 400638001H | SPRING WASHER | 1.000 EA |
| 418150003A | GREASE FITTING CAP | 2.000 EA |
| 609830005P | TBOLT METRIC RP609830- | 4.000 EA |
| 801924102A | BRKT,ODE,C210 | 1.000 EA |
| 801925102A | BRKT,DE,C210 | 1.000 EA |
| 000613006NT | NAME PLATE IEC | 1.000 EA |
| 032018004CK | HHCS 3/8-16X1/2L PLATED | 4.000 EA |
| 032018006CK | HHCS 3/8-16X3/4L PLATED | 4.000 EA |
| 034017014AB | LCKW 3/8 STD. PLATED | 4.000 EA |
| 036000012HB | HHCS M6X12MM LONG PLATED | 2.000 EA |
| 036000012JB | M8-1.25 X 12MM HXHDC | 3.000 EA |
| 036000020JB | HHCS M8-1.25X20L PLTD-250 | 4.000 EA |
| 036000045JB | M8-1.25 X 45MM HXHCS | 4.000 EA |
| 036600009AB | METRIC FLWASH M8 PLATED | 3.000 EA |
| 036620009AB | M8 EXTERNAL LK WASHER | 1.000 EA |
| 065591000B | GASK 250-280 | 1.000 EA |
| 075455000A | CBOXC, PAINTED 250-280 | 1.000 EA |
| 410978010C | FLANGE, INLET BLOWER HSG. | 1.000 EA |
| 410978019A | SCREEN, INLET FLANGE | 1.000 EA |
| 417733001B | GASKT | 2.000 EA |
| 418010006A | CAST,MPLATE,180-280,EX1,7BY | 1.000 EA |
| 418018074A | GROUND LABEL G100 METRIC 160 D.C. | 1.000 EA |
| 422919001 | CVRKT BE SOLID C210 | 1.000 EA |

Product Information Packet: D2030R-BV - 30HP,1750RPM,DC,2113ATZ,DPG-FV,

| | | |
|-------------|--|----------|
| 422919003 | HHCVR KIT,C210,DE,LOUVERED | 1.000 EA |
| 422919003 | HHCVR KIT,C210,DE,LOUVERED | 1.000 EA |
| 422919012 | HHCVR KIT,C210,ODE,SOLID | 1.000 EA |
| 422919012 | HHCVR KIT,C210,ODE,SOLID | 1.000 EA |
| 422919012 | HHCVR KIT,C210,ODE,SOLID | 1.000 EA |
| 610490001AH | .75HP,3450//2850RPM,3PH,60//50HZ,56C,351 | 1.000 EA |
| 611917002A | GASKT | 1.000 EA |
| 611965001A | WHEEL, BLOWER | 1.000 EA |
| 706305026A | GUARD,SHAFT | 1.000 EA |
| 706320007A | CONDUIT BOX | 1.000 EA |
| 708528004G | HOUSING, BLOWER | 1.000 EA |
| 000640000P | TAG WINDING THERMOST | 1.000 EA |
| 000692000NG | LABEL ;NP 4POLE METRIC LABEL | 1.000 EA |
| 034180020GA | KEY 1/2X1/2X2-1/2 L | 1.000 EA |
| 418018116 | WARNING PLATE | 1.000 EA |

616002-001

INDUSTRIAL DIRECT CURRENT MOTORS AND GENERATORS - RPM III

ENCLOSURE: DRIP-PROOF FULLY-GUARDED,
SPLASHPROOF

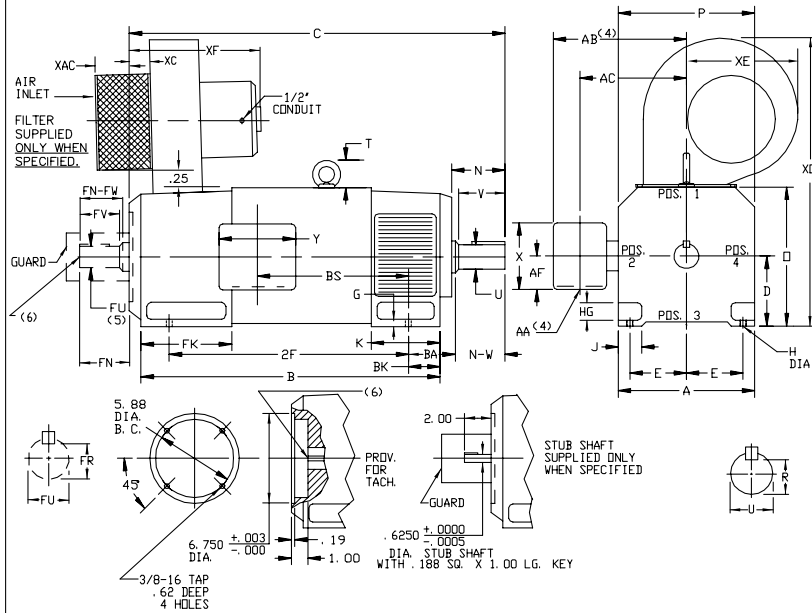
COOLING: FORCE VENTILATED
WITH INTEGRAL
BLOWER AND MOTOR

MOUNTING: FOOT

METHOD OF DRIVE: COUPLED OR BELTED

ACCESSORIES: PROVISION FOR
TACHOMETER MOUNTING
ONLY WHEN SPECIFIED

FRAMES SC2113ATZ THRU LC2115ATZ



DIMENSIONS ARE IN INCHES

| FRAME | XAC | XC | XE | XF | XO |
|---------------------|------|------|-------|-------|-------|
| SC2113ATZ-LC2115ATZ | 7.75 | 2.25 | 10.00 | 16.00 | 22.75 |

| FRAME | A | D(1) | E | G | H | HG | J | O | P | T | BA | K | FK | BK |
|---------------------|-------|------|------|-----|-----|------|------|-------|-------|------|------|------|------|------|
| SC2113ATZ-LC2115ATZ | 10.25 | 5.25 | 4.25 | .44 | .44 | 1.38 | 1.75 | 10.44 | 10.31 | 2.08 | 3.50 | 5.19 | 6.81 | 2.38 |

| FRAME | C(7) | B | BS | 2F | DRIVE END SHAFT AND KEY | | | | | OPPOSITE DRIVE END SHAFT AND KEY(S) | | | | | WT. LBS. | | | | |
|-----------|-------|-------|-------|-------|-------------------------|------|-------|------|-------|-------------------------------------|------|------|-------|-------|----------|-------|-------|------|------|
| | | | | | N | N-W | U(2) | V | R(3) | SQ. | LGTH | FN | FN-FW | FU(2) | | FV | FR(3) | SQ. | LGTH |
| SC2113ATZ | 28.38 | 22.50 | 11.38 | 18.00 | 4.00 | 3.75 | 1.875 | 3.50 | 1.991 | .500 | 2.50 | 3.50 | 3.25 | 1.625 | 3.00 | 1.416 | .375 | 2.25 | 345 |
| MC2113ATZ | 29.62 | 23.75 | 12.62 | 18.00 | 4.00 | 3.75 | 1.875 | 3.50 | 1.991 | .500 | 2.50 | 3.50 | 3.25 | 1.625 | 3.00 | 1.416 | .375 | 2.25 | 370 |
| LC2113ATZ | 31.25 | 25.38 | 14.25 | 18.00 | 4.00 | 3.75 | 1.875 | 3.50 | 1.991 | .500 | 2.50 | 3.50 | 3.25 | 1.625 | 3.00 | 1.416 | .375 | 2.25 | 400 |
| MC2115ATZ | 32.50 | 26.62 | 15.50 | 22.00 | 4.00 | 3.75 | 1.875 | 3.50 | 1.991 | .500 | 2.50 | 3.50 | 3.25 | 1.625 | 3.00 | 1.416 | .375 | 2.25 | 425 |
| LC2115ATZ | 35.25 | 29.38 | 18.25 | 22.00 | 4.00 | 3.75 | 1.875 | 3.50 | 1.991 | .500 | 2.50 | 3.50 | 3.25 | 1.625 | 3.00 | 1.416 | .375 | 2.25 | 480 |

- (1) "D" DIMENSION WILL NOT BE EXCEEDED. SHIMS UP TO .03 INCHES IN THICKNESS ARE USUALLY REQUIRED FOR COUPLED OR GEARED MACHINES.
- (2) "U" AND "FU" VARY----+.000 - .001
- (3) "R" AND "FR" VARY----+.000 - .015
- (4) TERMINAL BOX VARIES WITH H.P. FOR DIMENSIONS "AA", "AB", "AC", "AF", "X" AND "Y". REFER TO BOX D/S. (STD. 609959-1, "X/P" 609959-2, MILL 609959-3)
- (5) OPPOSITE DRIVE END SHAFT SUPPLIED ONLY WHEN SPECIFIED.
- (6) MOTOR SHAFT TAPPED FOR SCREW-IN STUB SHAFT.
- (7) WHEN THE MOTOR APPLICATION DOES NOT REQUIRE THE USE OF OPP. DRIVE END, ADD .25 TO "C" DIM. FOR BRACKET COVER. TERMINAL BOX CAN BE ROTATED FOR LEAD OUTLET AT TOP, SIDES OR BOTTOM. OR C-1 MOUNTING IS SPECIFIED. BOX LOCATED ON TOP WHEN SPECIFIED. BLOWER ASSEMBLY CAN BE LOCATED AT POSITIONS 1, 2, OR 4, EXCEPT BLOWER ASSEMBLY AND TERMINAL BOX CAN NOT BE LOCATED AT THE SAME POSITION. MOTOR WEIGHT MAY VARY 15% FOR NON-STANDARD RATINGS AND/OR ACCESSORIES. IF MOUNTING CLEARANCE DETAILS ARE REQUIRED, CONSULT FACTORY.

CUSTOMER IS RESPONSIBLE FOR DETERMINING THAT BALDOR'S PRODUCT WILL PERFORM SUITABLY IN THE INTENDED APPLICATION.

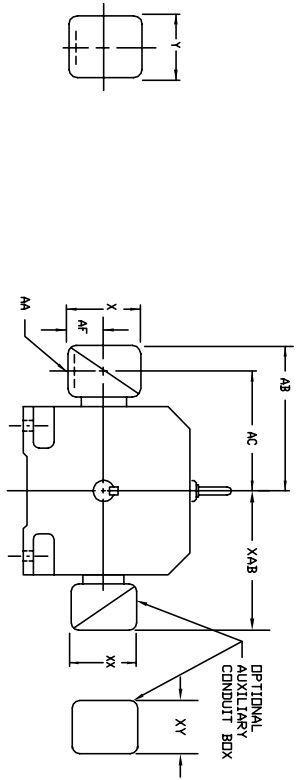
| | | |
|--------------------------|------------------------------|-------------------|
| REV. DESC: LOADED TO BUS | VERSION: 00 | TDR: 000000578087 |
| REV. LTR: - | REVISED: 08:22:49 01/28/2011 | BY: CONNAS |
| FILE: \RGG\00015\944 | | |
| MTL: - | | |

BALDOR
DIMENSION DRAWING, SC2113ATZ - LC2115ATZ, DPP, FOOT MTG
SH 1 of 1

616002-001

609959-001

**INDUSTRIAL DIRECT CURRENT MOTORS
AND GENERATORS - RPM III**
TERMINAL BOX DIMENSIONS
STANDARD SIZE AND ONE SIZE LARGER
FRAMES C2113ATZ THRU C2815ATZ



| FRAME SIZE | STANDARD SIZE | | | | | | ONE SIZE LARGER | | | | | | | | |
|------------|---------------|---------------|-------|-------|------|-------------|-----------------|-------------|---------------|-------|-------------|------|-------|-------|------------|
| | MAX. AMPS | AK(1) | AB | AC | AF | PART NUMBER | AK(1) | AB | AC | AF | PART NUMBER | | | | |
| C2113ATZ | 40 | 3/4 & 1" | 8.97 | 7.47 | 1.94 | 4.38 | 5.00 | 7.05029-1-R | 1-1/4 & 1-1/2 | 10.03 | 8.03 | 2.50 | 5.50 | 6.12 | 705029-1-R |
| C2115ATZ | 96 | 1-1/4 & 1-1/2 | 10.03 | 8.03 | 2.50 | 5.50 | 6.12 | 705029-1-R | 2" & 2-1/2 | 11.16 | 8.41 | 3.19 | 7.00 | 7.62 | 705030-1-R |
| (2) | 208 | 2" & 2-1/2 | 11.16 | 8.41 | 3.19 | 7.00 | 7.62 | 705030-1-R | 2" & 2-1/2 | 11.16 | 8.41 | 3.19 | 7.00 | 7.62 | 705030-1-R |
| C2513ATZ | 40 | 3/4 & 1" | 10.03 | 8.53 | 1.94 | 4.38 | 5.00 | 705029-1-R | 1-1/4 & 1-1/2 | 11.09 | 9.09 | 2.50 | 5.50 | 6.12 | 705029-1-R |
| C2515ATZ | 96 | 1-1/4 & 1-1/2 | 11.09 | 9.09 | 2.50 | 5.50 | 6.12 | 705029-1-R | 2" & 2-1/2 | 12.22 | 9.47 | 3.19 | 7.00 | 7.62 | 705030-1-R |
| (2) | 208 | 2" & 2-1/2 | 12.22 | 9.47 | 3.19 | 7.00 | 7.62 | 705030-1-R | 2" & 2-1/2 | 12.22 | 9.47 | 3.19 | 7.00 | 7.62 | 705030-1-R |
| C2813ATZ | 128 | 2" | 14.03 | 10.53 | 4.25 | 8.44 | 7.25 | 74874-R | 3" | 14.47 | 11.22 | 4.25 | 8.44 | 7.25 | 74874-R |
| C2815ATZ | 185 | 3" | 14.47 | 11.22 | 4.25 | 8.44 | 7.25 | 74874-R | 4" | 15.91 | 11.84 | 5.38 | 10.56 | 9.00 | 703038-3-R |
| (2) | 259 | 4" | 15.91 | 11.84 | 5.38 | 10.56 | 9.00 | 703038-3-R | 5" (4) | 18.72 | 13.47 | 7.00 | 12.75 | 15.00 | 702658-1-C |

| FRAME SIZE | STANDARD SIZE | | | | | | ONE SIZE LARGER | | | | | | | | |
|------------|---------------|-------|-------|-------|------|-------------|-----------------|------------|--------|-------|-------------|------|-------|------------|------------|
| | MAX. AMPS | AK(3) | AB | AC | AF | PART NUMBER | AK(3) | AB | AC | AF | PART NUMBER | | | | |
| C2113ATZ | 18 | 3/4 | 10.03 | 8.03 | 2.50 | 5.00 | 5.75 | 705028-2-S | 1" | 10.03 | 8.03 | 2.50 | 5.00 | 5.75 | 705028-2-T |
| C2115ATZ | 40 | 1" | 10.03 | 8.03 | 2.50 | 5.00 | 5.75 | 705028-2-R | 1-1/2 | 10.97 | 8.53 | 3.00 | 6.00 | 7.00 | 705029-2-R |
| (2) | 96 | 1-1/2 | 10.97 | 8.53 | 3.00 | 6.00 | 7.00 | 705029-2-R | 2" | 10.97 | 8.53 | 3.00 | 6.00 | 7.00 | 705029-2-S |
| 208 | 2" | 10.97 | 8.53 | 3.00 | 6.00 | 7.00 | 705029-2-S | 2-1/2 | 12.66 | 8.91 | 3.62 | 7.88 | 9.23 | 705028-2-T | |
| 18 | 3/4 | 11.09 | 9.09 | 2.50 | 5.00 | 5.75 | 705028-2-T | 1" | 11.09 | 9.09 | 2.50 | 5.00 | 5.75 | 705028-2-T | |
| C2513ATZ | 40 | 1" | 11.09 | 9.09 | 2.50 | 5.00 | 5.75 | 705028-2-T | 1-1/2 | 12.03 | 9.59 | 3.00 | 6.00 | 7.00 | 705029-2-R |
| C2515ATZ | 96 | 1-1/2 | 12.03 | 9.59 | 3.00 | 6.00 | 7.00 | 705029-2-R | 2" | 12.03 | 9.59 | 3.00 | 6.00 | 7.00 | 705029-2-S |
| (2) | 208 | 2" | 12.03 | 9.59 | 3.00 | 6.00 | 7.00 | 705029-2-S | 2-1/2 | 12.03 | 9.59 | 3.00 | 6.00 | 7.00 | 705029-2-R |
| C2813ATZ | 128 | 2" | 12.78 | 10.34 | 3.00 | 6.00 | 7.00 | 75460-T | 3" | 14.47 | 10.72 | 3.62 | 7.88 | 9.23 | 76708-RR |
| C2815ATZ | 185 | 3" | 14.47 | 10.72 | 3.62 | 7.88 | 9.23 | 76708-RR | 4" | 15.78 | 11.59 | 4.12 | 9.50 | 10.50 | 76708-RR |
| (2) | 259 | 4" | 15.78 | 11.59 | 4.12 | 9.50 | 10.50 | 76708-RR | 5" (4) | 18.59 | 13.34 | 7.00 | 12.75 | 15.00 | 76870-S |

| FRAME SIZE | STANDARD SIZE | | | | | | ONE SIZE LARGER | | | | | |
|------------|---------------|-------|------|-------|-------|--------------------------|-----------------|--------------------------|-------------|--------------------------|-------------|--|
| | AMP(S) | AB | AC | AF | X | Y | AB | AC | AF | X | Y | |
| C210 | 100 | 10.71 | 8.98 | 2.72 | 7.48 | 7.48 | 706310-56-A | 7.48 | 706310-56-A | 7.48 | 706310-56-A | |
| 200 | 11.26 | 9.25 | 3.35 | 8.82 | 8.82 | 706310-56-B | 8.82 | 706310-56-B | 8.82 | 706310-56-B | | |
| 100 | 11.30 | 9.57 | 2.72 | 7.48 | 7.48 | 706310-56-A | 7.48 | 706310-56-A | 7.48 | 706310-56-A | | |
| 200 | 11.85 | 9.84 | 3.35 | 8.82 | 8.82 | 706310-56-B | 8.82 | 706310-56-B | 8.82 | 706310-56-B | | |
| 400 | 17.48 | 12.75 | 6.20 | 14.39 | 14.39 | 706310-63-B & 706310-63G | 14.39 | 706310-63-B & 706310-63G | 14.39 | 706310-63-B & 706310-63G | | |
| 800 | 17.48 | 12.75 | 6.20 | 14.39 | 14.39 | 706310-63-B & 706310-63G | 14.39 | 706310-63-B & 706310-63G | 14.39 | 706310-63-B & 706310-63G | | |
| 200 | 12.60 | 10.99 | 3.76 | 8.82 | 8.82 | 706310-56-B | 8.82 | 706310-56-B | 8.82 | 706310-56-B | | |
| 400 | 18.27 | 13.54 | 6.20 | 14.39 | 14.39 | 706310-63-B & 706310-63G | 14.39 | 706310-63-B & 706310-63G | 14.39 | 706310-63-B & 706310-63G | | |
| 800 | 18.27 | 13.54 | 6.20 | 14.39 | 14.39 | 706310-63-B & 706310-63G | 14.39 | 706310-63-B & 706310-63G | 14.39 | 706310-63-B & 706310-63G | | |
| 1600 | 18.27 | 13.54 | 7.68 | 15.35 | 15.35 | 706310-63-C | 15.35 | 706310-63-C | 15.35 | 706310-63-C | | |

(1) *AM. CONDUIT
(2) STEEL TERMINAL BOX FOR C2113ATZ AND C2515ATZ
(3) *AM. PIPE TAP
(4) TERMINAL BOX 76870-9R EXTENDS BELOW MOTOR FEET.
TERMINAL BOX CAN BE ROTATED FOR LEAD DULLET AT TOP, SIDES OR BOTTOM.
TERMINAL BOX LOCATED ON OPPOSITE SIDE WHEN F-2, V-1, V-4, V-5, V-7,
OR C-1 MOUNTING IS SPECIFIED. BOX LOCATED ON TOP WHEN SPECIFIED.
FOR *X/P TERMINAL BOX DIMENSIONS SEE 609959-2.
FOR **X/P TERMINAL BOX DIMENSIONS SEE 609959-3.

CUSTOMER IS RESPONSIBLE FOR DETERMINING THAT BALDOR'S PRODUCT WILL PERFORM SUITABLY IN THE INTENDED APPLICATION.

| | | |
|---|-------------|------------------------------|
| REV. DESC: ADD 706310-63G C/BOX TO C250 AND C280 FRAMES | VERSION: 01 | TDR: 000000816512 |
| REV. LTR: A | | |
| FILE: \RGG\00021\153 | | REVISED: 03:09:09 09/06/2013 |
| MTL: - | | BY: RGGWT |

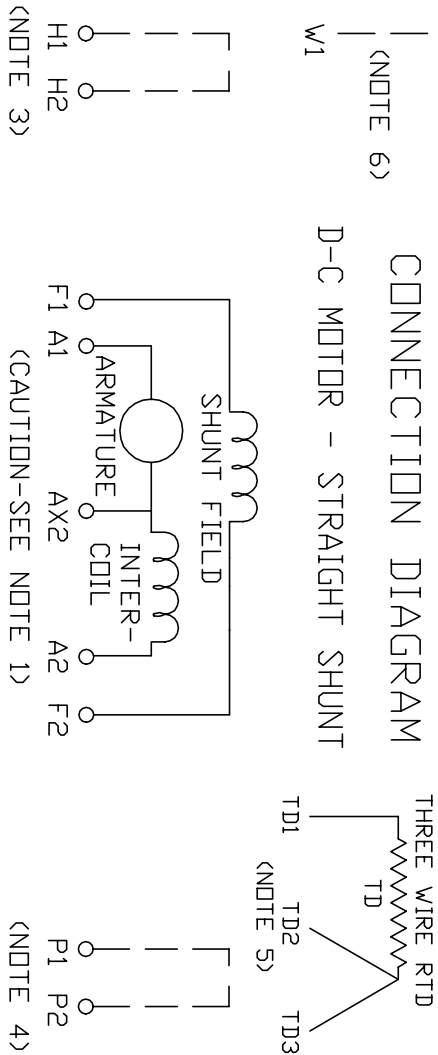


DIMENSION SHEET
SH 1 of 1

609959-001

406770-006

406770-006



1. **CAUTION** — ARMATURE MAY HAVE MULTIPLE LEADS. CONNECT ALL LUGS WITH THE SAME MARKING TOGETHER.
2. OPTIONAL CONTROL SIGNAL LEAD IS MARKED AX2. ALWAYS TAKE INTERPOLE DROP BETWEEN A2 AND AX2. NOTE: NEMA DESIGNATION FOR AX2 IS LETTER C.
3. SPACE HEATERS, WHEN PROVIDED, WILL HAVE LEADS MARKED H1 AND H2, H3, H4, ETC.
4. THERMAL PROTECTOR, WHEN PROVIDED, WILL HAVE LEADS MARKED P1 AND P2, P3, P4, ETC.
5. WINDING RTD'S, WHEN PROVIDED, WILL HAVE LEADS MARKED TD1, TD2, & TD3.
6. BRUSH WEAR SENSOR, WHEN PROVIDED, WILL HAVE LEAD MARKED W1.
7. **WARNING** — MOTOR MUST BE GROUNDED TO PREVENT SERIOUS INJURIES TO PERSONNEL. GROUND THE MOTOR PER IEC, NATIONAL ELECTRICAL CODE AND ANY APPLICABLE LOCAL ELECTRICAL CODES. A TAPPED HOLE IS PROVIDED IN THE CONDUIT BOX, ON THE FOOT. FRAME BRACE OR OPPOSITE OPPOSITE DRIVE END BRACKET, ADJACENT TO THE TERMINAL BOX FOR FOR MOTOR GROUNDING. GROUND LEAD, WHEN PROVIDED, WILL BE GREEN.

CUSTOMER _____ RELIANCE _____
 ORDER NO. _____ S.D. NO. _____

| | | |
|--|--------------------------------|-------------------|
| REV. DESC: UPDATE LOGO AND TITLEBLOCK: LOADED TO BUS | | |
| REV. LTR: - | VERSION: 00 | TDR: 000000781086 |
| FILE: \RSN\00026\515 | REVISED: 02: 41: 08 02/01/2013 | |
| MTL: - | BY: MGHPC | |

BALDOR

D-C MOTOR CONNECTION DIAGRAM, STRAIGHT SHUNT

SH 1 of 1