

BALDOR® • RELIANCE 

Product Information Packet

D2060P-BV

60HP, 1750/2100RPM, DC, 366AT, DPBV, F1, N

| Part Detail | | | | | | | |
|-------------|-------|-------------|-------|----------------|----------|---------------|------------|
| Revision: | - | Status: | PRD/A | Change #: | | Proprietary: | No |
| Type: | DC | Prod. Type: | | Elec. Spec: | K0094A A | CD Diagram: | 15209 |
| Enclosure: | DPBV | Mfg Plant: | | Mech. Spec: | | Layout: | 1336-4 |
| Frame: | 366AT | Mounting: | F1 | Poles: | 00 | Created Date: | 04-09-2015 |
| Base: | | Rotation: | R | Insulation: | F | Eff. Date: | 04-13-2015 |
| Field Type: | | Literature: | | Elec. Diagram: | | Replaced By: | |

| Specs | | | |
|---------------------------|-------------------------|--|--|
| Enclosure: | DPBV | | |
| Frame: | 366AT | | |
| Frame Material: | Steel | | |
| Agency Approvals: | CSA | | |
| Base Indicator: | Rigid | | |
| Bearing Grease Type: | Polyrex EM (-20F +300F) | | |
| Drip Cover: | No Drip Cover | | |
| Duty Rating: | CONT | | |
| Feedback Device: | NO FEEDBACK | | |
| Field Winding Type: | STR. SHUNT | | |
| Heater Indicator: | No Heater | | |
| Insulation Class: | F | | |
| Lifting Lugs: | Standard Lifting Lugs | | |
| Mounting Arrangement: | F1 | | |
| Shaft Extension Location: | Pulley End | | |
| Shaft Ground Indicator: | No Shaft Grounding | | |

| | | | |
|---------------------------------|------------|--|--|
| Shaft Slinger Indicator: | No Slinger | | |
| Motor Standards: | NEMA | | |

| Nameplate NP1734 | | | | | | | | | | | |
|------------------|--------------------------------|-----------|------------|-------|----------|------------|--|--|--|-----|--|
| CAT.NO. | D2060P-BV | | | MODEL | T36R8004 | | | | | | |
| HP | 60 | RPM | 1750/ 2100 | | FRAME | 0366AT 00 | | | | | |
| ARM V | 240 | ARM A | 201.00 | | WOUND | STR. SHUNT | | | | | |
| FLD V | 300 | FLD A | 2.80-1.90 | | | | | | | | |
| CONN | | OHMS | | | CL | F | | | | | |
| ENCL | DPBV | DUTY | CONT | | MX AMB | 40 | | | | | |
| P CODE | C | CTSR | | | SER.F. | 1.0 | | | | | |
| S/N | | | | E/S | K0094A A | | | | | | |
| | BRUSH:36024-3; FLD. DATA FOR | | | | | | | | | | |
| | HIGH VOLTS;FIELD VOLTS 150/300 | | | | | | | | | | |
| O.D.E. BRG. | 6211 | D.E. BRG. | 6213 | BRUSH | | | | | | QTY | |

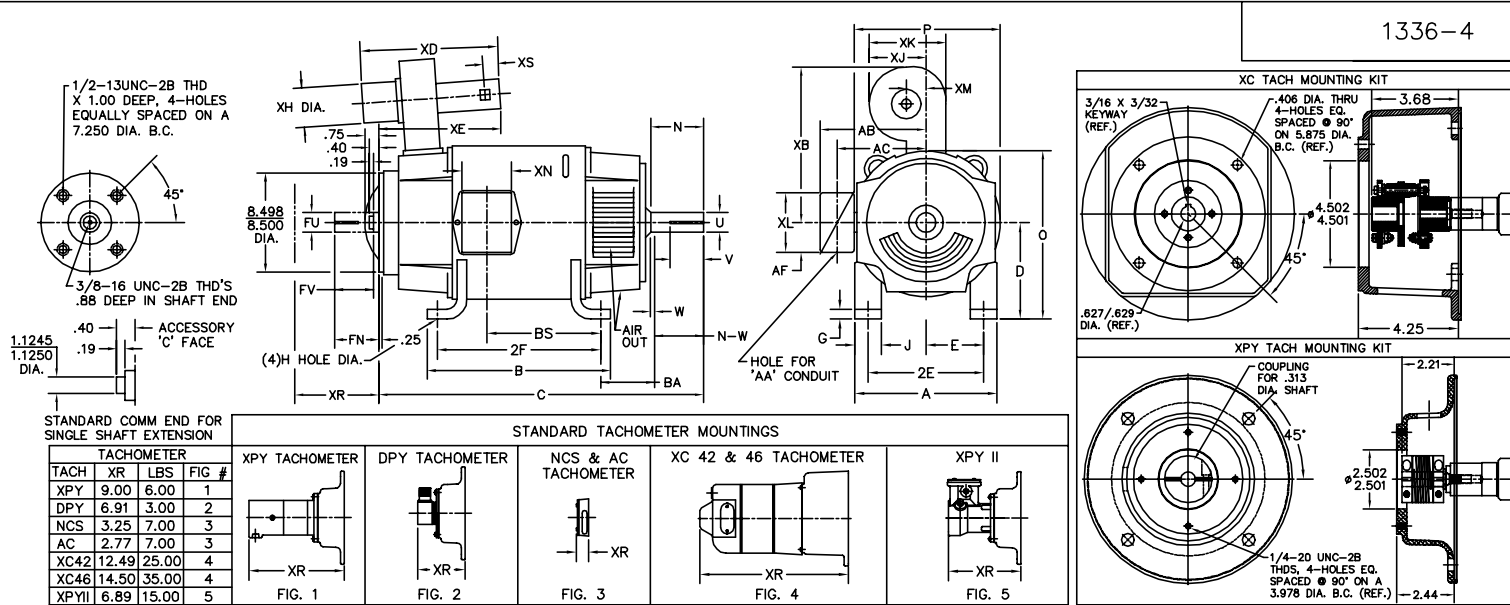
| Parts List | | |
|-------------|---|----------|
| Part Number | Description | Quantity |
| SA297022 | SA T36R8004 | 1.000 EA |
| AA016073 | AA T36R8004 | 1.000 EA |
| 036170004DA | DRSCW METRIC NAMEPLATE | 4.000 EA |
| 150247 | CAUTION LABEL,BLWR WHEEL ROTATION,MYLAR | 1.000 EA |
| NP1734 | NPL,BALDOR DC MTR ALUMINUM | 1.000 EA |
| 15209 | LABEL CONNECTIONS & TERMINAL MARKIN | 1.000 EA |
| 032018016CK | HHCS 3/8-16X2 PLATE | 8.000 EA |
| 032018004BK | HHCS 5/16-18X1/2 PLATED | 4.000 EA |
| 15094 | DISHED LOCKWASHER .332 ID, .865 OD | 4.000 EA |
| 36004-2 | BRUSH ROCKER ASSY FR 36 SERIES | 1.000 EA |
| 36024-3SP | BRUSH,360 FR. SERIES E-77 HE | 8.000 EA |
| 004824015A | GREASE POLYREX EM | 0.600 LB |
| 032018012DK | HHCS 1/2-13X1-1/2 PLTD. | 4.000 EA |
| 032018012DK | HHCS 1/2-13X1-1/2 PLTD. | 4.000 EA |
| 032130018BA | HSCHS 2-1/4" LG M2 | 4.000 EA |
| 035000001A | ALFTG 1/8" 1610-BL | 1.000 EA |
| 035000001A | ALFTG 1/8" 1610-BL | 1.000 EA |
| 36038-14 | BRKT, DE, 360DC | 1.000 EA |
| 36039-14 | BRKT, ODE, 360DC | 1.000 EA |
| HA4048A01 | DRIVE-IN PLUG,.50"EXPAN.PLUG, | 4.000 EA |
| HW4500A17 | 317400 ALEMITE GREASE RELIEF | 1.000 EA |
| HW4500A17 | 317400 ALEMITE GREASE RELIEF | 1.000 EA |
| HW5100A13 | W4627-047 WVY WSHER | 1.000 EA |
| 032018004AK | HHCS 1/4-20X1/2 PLATED | 3.000 EA |

| Parts List (continued) | | |
|------------------------|--|-----------|
| Part Number | Description | Quantity |
| 032018004AK | HHCS 1/4-20X1/2 PLATED | 4.000 EA |
| 032018004BK | HHCS 5/16-18X1/2 PLATED | 2.000 EA |
| 032018004BK | HHCS 5/16-18X1/2 PLATED | 4.000 EA |
| 032018004BK | HHCS 5/16-18X1/2 PLATED | 44.000 EA |
| 032018006BK | HHCS 5/16-18X3/4 PLATED | 4.000 EA |
| 032018006DK | HHCS 1/2-13X3/4 PLATED | 4.000 EA |
| 032018008BK | HHCS 5/16-18X1L PLATED | 4.000 EA |
| FLT6320 | LM6 FILTER KIT ASSEMBLY | 1.000 EA |
| 10162 | LM6 BLOWER ASSEMBLY | 1.000 EA |
| 15021-1 | ACCESSORY FACE COVER FRAME 180-500 SERIE | 1.000 EA |
| 15025 | TERMINAL BOX BACK FRAME 36 & 40 SERIES # | 1.000 EA |
| 15026-1 | COVER TERM BOX MACH FR 36 & 40 SERIES | 1.000 EA |
| 150449-237 | TERM BOX & GRD STUD BRASS NUT & STUD | 1.000 EA |
| 15599-37 | DRIVE SCR,#10 X.37 TYPE UPLATED STEEL | 6.000 EA |
| 36018-2 | SLD CVR,CE,FR-360 14 GA(.075THK) | 1.000 EA |
| 36018-2 | SLD CVR,CE,FR-360 14 GA(.075THK) | 3.000 EA |
| 36019-1 | GASKET CVR,FE,3/32 THK, ARMSTRONG DC205 | 3.000 EA |
| 36019-2 | GASKET CVR,CE,3/32 THK ARMSTRONG DC205 | 4.000 EA |
| 36020-1 | SMILE CVR,(LOUVERS)FR-36018 GA C.R. STEE | 1.000 EA |
| 36057-1 | VENT CVR,LVR,FE,FR-360 18 GA(.048THK) | 3.000 EA |
| 36066-1 | BLW ADPTR,LM6,360 & 400 FR,OFFSET 1.5" F | 1.000 EA |
| 36113 | TERM BOX HOLE COVER FR 36 SERIES #16 GA | 1.000 EA |
| 36204 | ADAPTER T-BX FR400 TO 360ALUM 6061 OR EQ | 1.000 EA |
| 36246 | GASKET,TERM.BOX,FR.360 1/8 THK ARMSTRONG | 1.000 EA |

Product Information Packet: D2060P-BV - 60HP,1750/2100RPM,DC,366AT,DPBV,F1,N

| | | |
|--------------|--|----------|
| 36246 | GASKET,TERM.BOX,FR.360 1/8 THK ARMSTRONG | 2.000 EA |
| 004824007BTW | SPECIAL PAINT4824-3BVZ | 0.300 EA |
| 034180028HA | KEY 5/8X5/8X3-1/2L-445 | 1.000 EA |
| PA3100 | PACK FOR #3 SKID; CUSTOM | 1.000 EA |

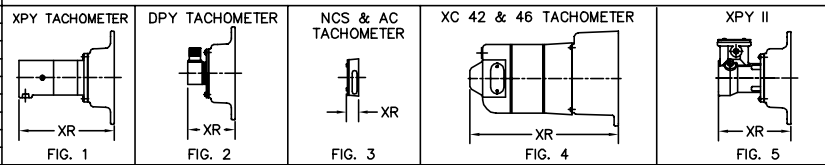
| Accessories | | |
|--------------------|--------------------------------------|-------------------|
| Part Number | Description | Multiplier |
| D2060P-BV | 60HP,1750/2100RPM,DC,366AT,DPBV,F1,N | N2 |



STANDARD COMM END FOR SINGLE SHAFT EXTENSION

| TACH | XR | LBS | FIG # |
|-------|-------|-------|-------|
| XPY | 9.00 | 6.00 | 1 |
| DPY | 6.91 | 3.00 | 2 |
| NCS | 3.25 | 7.00 | 3 |
| AC | 2.77 | 7.00 | 3 |
| XC42 | 12.49 | 25.00 | 4 |
| XC46 | 14.50 | 35.00 | 4 |
| XPYII | 6.89 | 15.00 | 5 |

STANDARD TACHOMETER MOUNTINGS



| FRAME | FOOT MOUNTING | | | | | | | | | | D.E. SHAFT EXTENSION | | | | | DRIVE KEY | | | ACC SHAFT EXTENSION | | | ACC KEY | | FRAME | | | | | |
|--------|---------------|------|-------|-----|------|------|------|------|-------|-------------------|----------------------|---------|----------|------|-------|-----------|---------|----------|---------------------|-------|-------|-------------------|-------|-------|--|--|--|--|--|
| | BA | E | 2F | G | H | J | N | N-W | U | V | W | KEY-SQ. | KEY-LONG | FN | FU | FV | KEY-SQ. | KEY-LONG | A | B | C | D | O | P | | | | | |
| 327AT | 5.25 | 6.25 | 14.00 | .81 | .656 | 3.00 | 4.40 | 4.25 | 2.125 | 4.00 ³ | .15 | .500 | 3.12 | 3.94 | 1.875 | 3.69 | .500 | 2.81 | 15.88 | 15.75 | 32.75 | 8.00 ² | 15.94 | 15.88 | | | | | |
| 328AT | 5.25 | 6.25 | 16.00 | .81 | .656 | 3.00 | 4.40 | 4.25 | 2.125 | 4.00 ³ | .15 | .500 | 3.12 | 3.94 | 1.875 | 3.69 | .500 | 2.81 | 15.88 | 17.75 | 34.63 | 8.00 ² | 15.94 | 15.88 | | | | | |
| 329AT | 5.25 | 6.25 | 18.00 | .81 | .656 | 3.00 | 4.40 | 4.25 | 2.125 | 4.00 ³ | .15 | .500 | 3.12 | 3.94 | 1.875 | 3.69 | .500 | 2.81 | 15.88 | 19.75 | 36.63 | 8.00 ² | 15.94 | 15.88 | | | | | |
| 365AT | 5.88 | 7.00 | 12.25 | .81 | .813 | 3.25 | 4.94 | 4.75 | 2.375 | 4.50 ³ | .19 | .625 | 3.50 | 4.62 | 2.125 | 4.37 | .500 | 3.13 | 17.75 | 13.75 | 32.94 | 9.00 ² | 17.94 | 17.88 | | | | | |
| 366AT | 5.88 | 7.00 | 14.00 | .81 | .813 | 3.25 | 4.94 | 4.75 | 2.375 | 4.50 ³ | .19 | .625 | 3.50 | 4.62 | 2.125 | 4.37 | .500 | 3.13 | 17.75 | 15.50 | 35.13 | 9.00 ² | 17.94 | 17.88 | | | | | |
| 368AT | 5.88 | 7.00 | 18.00 | .81 | .813 | 3.25 | 4.94 | 4.75 | 2.375 | 4.50 ³ | .19 | .625 | 3.50 | 4.62 | 2.125 | 4.37 | .500 | 3.13 | 17.75 | 19.50 | 38.13 | 9.00 ² | 17.94 | 17.88 | | | | | |
| 3610AT | 5.88 | 7.00 | 22.00 | .81 | .813 | 3.25 | 4.94 | 4.75 | 2.375 | 4.50 ³ | .19 | .625 | 3.50 | 4.62 | 2.125 | 4.37 | .500 | 3.13 | 17.75 | 23.50 | 41.45 | 9.00 ² | 17.94 | 17.88 | | | | | |
| 3612AT | 5.88 | 7.00 | 28.00 | .81 | .813 | 3.25 | 4.94 | 4.75 | 2.375 | 4.50 ³ | .19 | .625 | 3.50 | 4.62 | 2.125 | 4.37 | .500 | 3.13 | 17.75 | 29.50 | 45.56 | 9.00 ² | 17.94 | 17.88 | | | | | |

| FRAME | CONDUIT BOX | | | | | BLOWER | | | | | | | | | | ARM APPROX. WK ² LBS.FT. ² | APPROXIMATE WEIGHT | |
|--------|-------------|-------|-------|------|-------|--------|------|------|-------|-------|-------|-------|------|-------|-------|--|--------------------|-------------------|
| | AA | AB | AC | AF | BS | XL | XN | SIZE | XB | XD | XE | XH | XM | XJ | XK | | | XS |
| 327AT | 2 | 12.94 | 10.32 | 5.00 | 11.81 | 7.88 | 5.25 | LM6 | 19.13 | 26.38 | 17.38 | 10.25 | 4.19 | 9.44 | 11.50 | 3.75 | 8.45 | 738 ⁵ |
| 328AT | 2 | 12.94 | 10.32 | 5.00 | 15.68 | 7.88 | 5.25 | LM6 | 19.13 | 26.38 | 17.38 | 10.25 | 4.19 | 9.44 | 11.50 | 3.75 | 10.97 | 922 ⁵ |
| 329AT | 2 | 12.94 | 10.32 | 5.00 | 15.68 | 7.88 | 5.25 | LM6 | 19.13 | 26.38 | 17.38 | 10.25 | 4.19 | 9.44 | 11.50 | 3.75 | 10.97 | 922 ⁵ |
| 365AT | 2 1/2 | 14.06 | 11.38 | 5.00 | 9.06 | 7.88 | 5.25 | LM6 | 18.88 | 26.38 | 18.44 | 10.25 | 5.69 | 10.95 | 11.50 | 3.75 | 15.61 | 803 ⁵ |
| 366AT | 2 1/2 | 14.06 | 11.38 | 5.00 | 11.25 | 7.88 | 5.25 | LM6 | 18.88 | 26.38 | 18.44 | 10.25 | 5.69 | 10.95 | 11.50 | 3.75 | 18.27 | 913 ⁵ |
| 368AT | 2 1/2 | 14.06 | 11.38 | 5.00 | 14.25 | 7.88 | 5.25 | LM6 | 18.88 | 26.38 | 18.44 | 10.25 | 5.69 | 10.95 | 11.50 | 3.75 | 22.21 | 1073 ⁵ |
| 3610AT | 3 | 16.86 | 13.09 | 6.53 | 18.25 | 11.63 | 7.76 | LM9 | 25.50 | 28.31 | 20.94 | 10.75 | 5.50 | 12.38 | 15.25 | 3.75 | 28.00 | 1109 ⁵ |
| 3612AT | 3 | 16.86 | 13.09 | 6.53 | 24.25 | 11.63 | 7.76 | LM9 | 25.50 | 28.31 | 20.94 | 10.75 | 5.50 | 12.38 | 15.25 | 3.75 | 31.60 | 1145 ⁵ |

- 1) SHAFT DIAMETERS TO 1.500 TOLERANCE +.0000 - .0005
SHAFT DIAMETERS ABOVE 1.500 TOLERANCE +.0000 - .0010
SHAFT DIAMETERS TO 1.625 RUNOUT .002 T.I.R. MAX.
SHAFT DIAMETERS ABOVE 1.625 RUNOUT .003 T.I.R. MAX.
- 2) 'D' DIMENSION TOLERANCE +.000 - .060
- 3) 'V' DIMENSION IS MAX. HUB LENGTH ON SHAFT
- 4) CONDUIT BOX CAN BE ROTATED IN 90° STEPS ON ITS OWN AXIS.
- 5) TOTAL WEIGHT OF MOTOR AND BLOWER LESS TACH WEIGHT.
- 6) ALL DIMENSIONS NOT NOTED ARE NOMINAL DIMENSIONS CONSULT FACTORY FOR TOLERANCES.

FOR F1 OR F2 CONDUIT BOX LOCATION SEE SALES ORDER

CUSTOMER IS RESPONSIBLE FOR DETERMINING THAT BALDOR'S PRODUCT WILL PERFORM SUITABLY IN THE INTENDED APPLICATION.

| | | |
|--|----------------------|------------------------------|
| REV. DESC: REV. "D" DIM TO +.000 - .060 ONLY | VERSION: 01 | TDR: 000000752448 |
| REV. LTR: G | FILE: \RGG\00019\490 | REVISED: 01:55:17 06/19/2012 |
| MTL: - | BY: RGGNAS | |

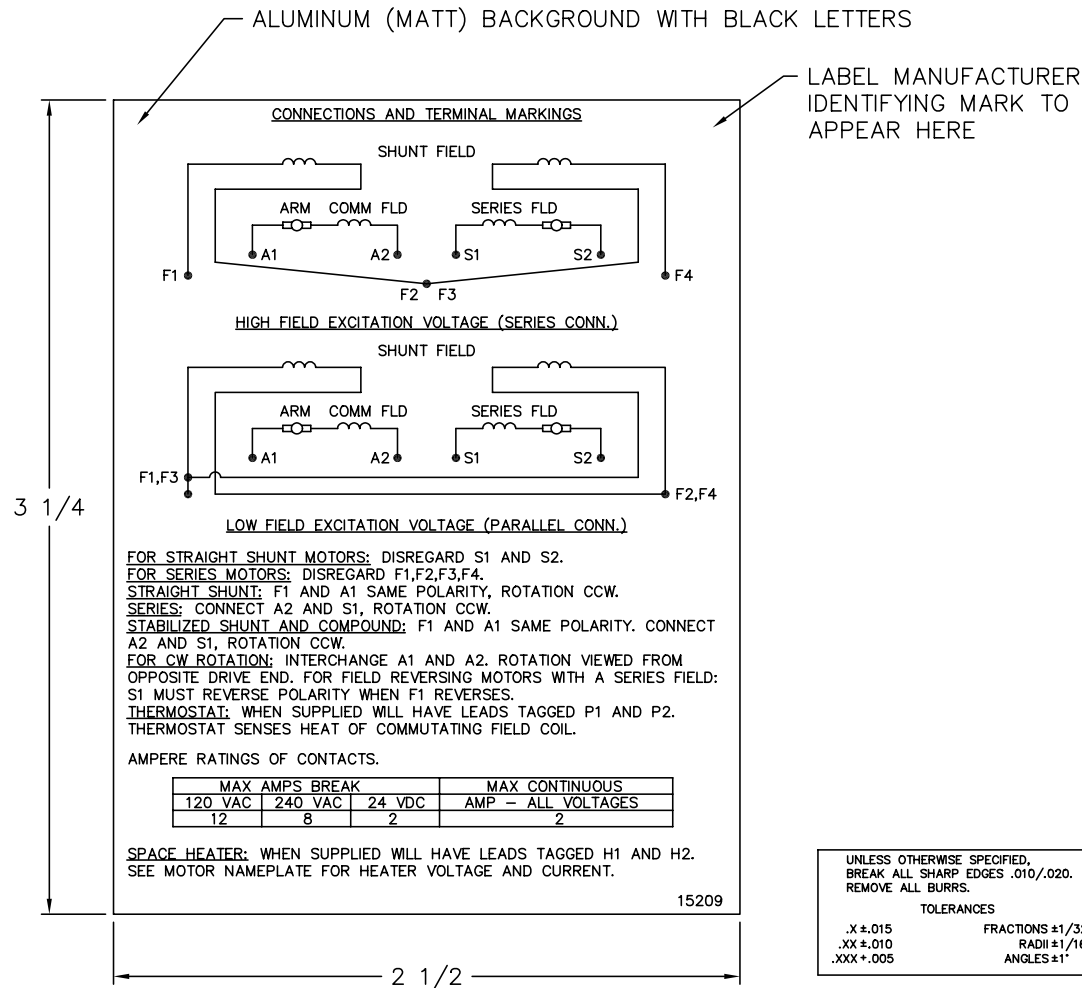
BALDOR

DIM SHEET: 327-3612AT,DPBV,W/TACH

SH 1 of 1

1336-4

15209



NOTE:
 MATERIAL .005 MINIMUM FULL HARD ALUMINUM DULL FINISH.
 TEMP. RANGE -20°C TO +125°C MAXIMUM.
 FOR INDOOR AND OUTDOOR MOUNTING BACK.
 METAL, PRESSURE SENSITIVE BACK. MUST MEET CSA STANDARD.
 THE CSA IDENTIFYING MARK OF THE LABEL MANUFACTURER MUST APPEAR IN THE UPPER RIGHT HAND CORNER AS INDICATED.

UNLESS OTHERWISE SPECIFIED, BREAK ALL SHARP EDGES .010/.020. REMOVE ALL BURRS.

TOLERANCES

| | |
|-------------|-----------------|
| .X ± .015 | FRACTIONS ±1/32 |
| .XX ± .010 | RADI ±1/16 |
| .XXX ± .005 | ANGLES ±1° |

MATL: NOTED

REV: G CHANGE ALL "NAMEPLATE" TEXT TO "LABEL"

60Z91

SCALE: - BY: BKW REVISED: 02/19/97
 FILE: CHB00002485 TDR: 0115147

BALDOR ELECTRIC Co.

LABEL, CONNECTIONS AND TERMINAL MARKINGS DC

15209

Marketing maintained PDF of MN605:

<http://www.baldor.com/support/Literature/Load.ashx/MN605?ManNumber=MN605>