

BALDOR® • RELIANCE 

Product Information Packet

D50100P-BV

100HP, 1750/2000RPM, DC, 368AT, DPBV, F1, N

Part Detail							
Revision:	A	Status:	PRD/A	Change #:		Proprietary:	No
Type:	DC	Prod. Type:		Elec. Spec:	K0093A A	CD Diagram:	15209
Enclosure:	DPBV	Mfg Plant:		Mech. Spec:		Layout:	1336-4
Frame:	0368A	Mounting:		Poles:	00	Created Date:	04-09-2015
Base:		Rotation:		Insulation:	F	Eff. Date:	10-27-2016
Field Type:		Literature:		Elec. Diagram:		Replaced By:	

Specs			
Enclosure:	DPBV		
Frame:	368AT		
Agency Approvals:	CSA		
Base Indicator:	Rigid		
Duty Rating:	CONT		
Field Winding Type:	STR. SHUNT		
Insulation Class:	F		
Mounting Arrangement:	F1		
Motor Standards:	NEMA		

Nameplate NP1734										
CAT.NO.	D50100P-BV			MODEL	T36R8008					
HP	100	RPM	1750/2000		FRAME	0368AT				
ARM V	500	ARM A	158.00		WOUND	STR. SHUNT				
FLD V	150/300	FLD A	6.00							
CONN		OHMS				CL	F			
ENCL	DPBV	DUTY	CONT			MX AMB	40			
P CODE	C	CTSR				SER.F.	1.0			
S/N				E/S	K0093A A					
	BRUSH:36024-3									
O.D.E. BRG.	6211	D.E. BRG.	6213		BRUSH					
									QTY	

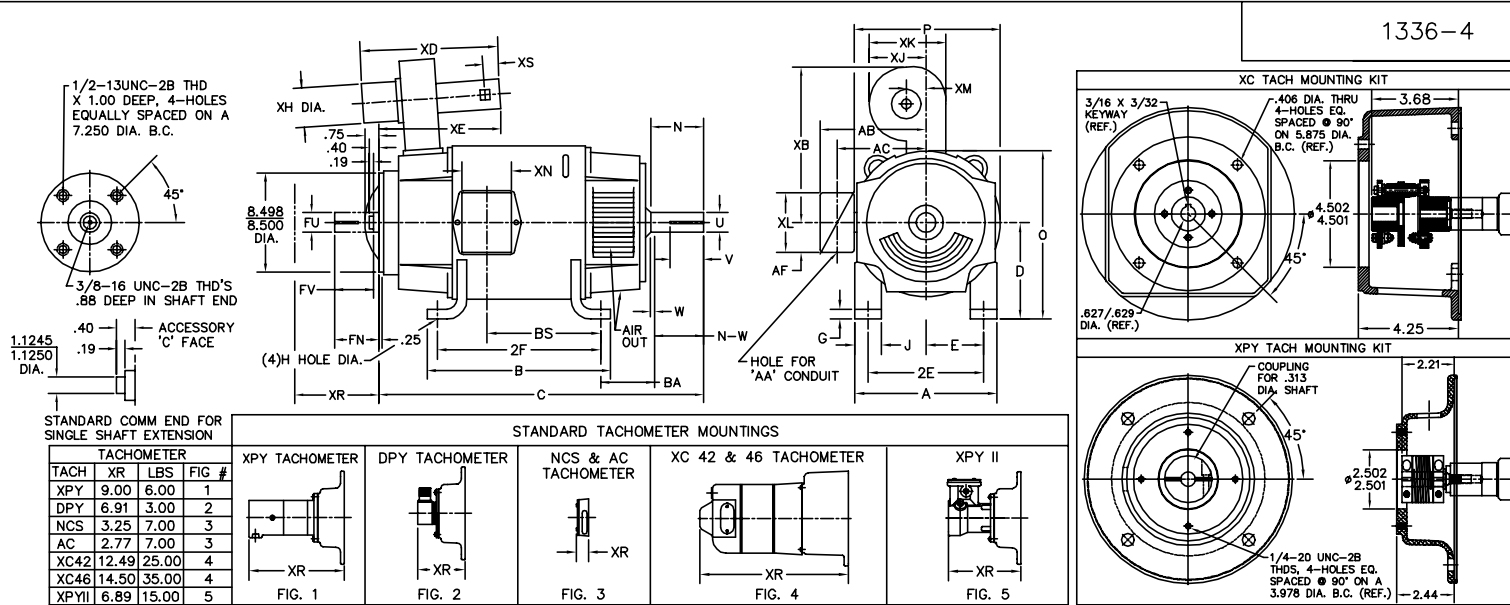
Parts List		
Part Number	Description	Quantity
SA297018	SA T36R8008	1.000 EA
AA016069	AA T36R8008	1.000 EA
036170004DA	DRSCW METRIC NAMEPLATE	4.000 EA
150247	CAUTION LABEL,BLWR WHEEL ROTATION,MYLAR	1.000 EA
NP1734	NPL,BALDOR DC MTR ALUMINUM	1.000 EA
15209	LABEL CONNECTIONS & TERMINAL MARKIN	1.000 EA
032018004BK	HHCS 5/16-18X1/2 PLATED	4.000 EA
15094	DISHED LOCKWASHER .332 ID, .865 OD	4.000 EA
36004-2	BRUSH ROCKER ASSY FR 36 SERIES	1.000 EA
36024-3SP	BRUSH,360 FR. SERIES E-77 HE	8.000 EA
004824015A	GREASE POLYREX EM	0.600 LB
032018012DK	HHCS 1/2-13X1-1/2 PLTD.	4.000 EA
032018012DK	HHCS 1/2-13X1-1/2 PLTD.	4.000 EA
032130018BA	HSBSC 2-1/4" LG M2	4.000 EA
035000001A	ALFTG 1/8" 1610-BL	1.000 EA
035000001A	ALFTG 1/8" 1610-BL	1.000 EA
36038-14	BRKT, DE, 360DC	1.000 EA
36039-14	BRKT, ODE, 360DC	1.000 EA
HW4500A17	317400 ALEMITE GREASE RELIEF	1.000 EA
HW4500A17	317400 ALEMITE GREASE RELIEF	1.000 EA
HW5100A13	W4627-047 WVY WSHR	1.000 EA
032018004AK	HHCS 1/4-20X1/2 PLATED	2.000 EA
032018004AK	HHCS 1/4-20X1/2 PLATED	3.000 EA
032018004AK	HHCS 1/4-20X1/2 PLATED	4.000 EA

Parts List (continued)		
Part Number	Description	Quantity
032018004BK	HHCS 5/16-18X1/2 PLATED	4.000 EA
032018004BK	HHCS 5/16-18X1/2 PLATED	44.000 EA
032018006BK	HHCS 5/16-18X3/4 PLATED	4.000 EA
032018006DK	HHCS 1/2-13X3/4 PLATED	4.000 EA
032018008BK	HHCS 5/16-18X1L PLATED	4.000 EA
FLT6320	LM6 FILTER KIT ASSEMBLY	1.000 EA
10162	LM6 BLOWER ASSEMBLY	1.000 EA
15021-1	ACCESSORY FACE COVER FRAME 180-500 SERIE	1.000 EA
15024-4	TERM.BOX CVR. FR-28,32,36DUREX P/N:D618	1.000 EA
15024-5	GASKET, T.BOX COVER	1.000 EA
150449-31	GRD STUD ARG .312DIA STUD	1.000 EA
15599-37	DRIVE SCR,#10 X.37 TYPE UPLATED STEEL	6.000 EA
36018-2	SLD CVR,CE,FR-360 14 GA(.075THK)	1.000 EA
36018-2	SLD CVR,CE,FR-360 14 GA(.075THK)	3.000 EA
36019-1	GASKET CVR,FE,3/32 THK, ARMSTRONG DC205	3.000 EA
36019-2	GASKET CVR,CE,3/32 THK ARMSTRONG DC205	4.000 EA
36020-1	SMILE CVR,(LOUVERS)FR-36018 GA C.R. STEE	1.000 EA
36057-1	VENT CVR,LVR,FE,FR-360 18 GA(.048THK)	3.000 EA
36066-1	BLW ADPTR,LM6,360 & 400 FR,OFFSET 1.5" F	1.000 EA
36113	TERM BOX HOLE COVER FR 36 SERIES #16 GA	1.000 EA
36116-1	TERM.BOX BASE FR-360 DUREX P/N:3BR	1.000 EA
36246	GASKET,TERM.BOX,FR.360 1/8 THK ARMSTRONG	1.000 EA
36246	GASKET,TERM.BOX,FR.360 1/8 THK ARMSTRONG	1.000 EA
004824007BTW	SPECIAL PAINT4824-3BVZ	0.300 EA

Product Information Packet: D50100P-BV - 100HP,1750/2000RPM,DC,368AT,DPBV,F1,N

034180028HA	KEY 5/8X5/8X3-1/2L-445	1.000 EA
PA3100	PACK FOR #3 SKID; CUSTOM	1.000 EA

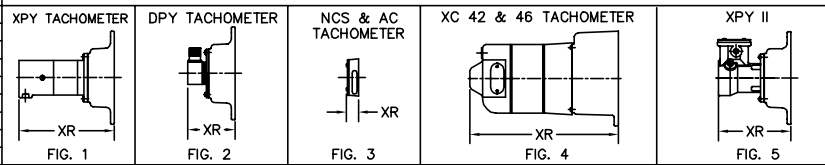
Accessories		
Part Number	Description	Multiplier
95EP5000A01	C-FACE CONVERSION KIT FOR STOCK MTR,FR 3	



STANDARD COMM END FOR SINGLE SHAFT EXTENSION

TACH	XR	LBS	FIG #
XPY	9.00	6.00	1
DPY	6.91	3.00	2
NCS	3.25	7.00	3
AC	2.77	7.00	3
XC42	12.49	25.00	4
XC46	14.50	35.00	4
XPYII	6.89	15.00	5

STANDARD TACHOMETER MOUNTINGS



FRAME	FOOT MOUNTING										D.E. SHAFT EXTENSION					DRIVE KEY			ACC SHAFT EXTENSION			ACC KEY		FRAME					
	BA	E	2F	G	H	J	N	N-W	U	V	W	KEY-SQ.	KEY-LONG	FN	FU	FV	KEY-SQ.	KEY-LONG	A	B	C	D	O	P					
327AT	5.25	6.25	14.00	.81	.656	3.00	4.40	4.25	2.125	4.00 ³	.15	.500	3.12	3.94	1.875	3.69	.500	2.81	15.88	15.75	32.75	8.00 ²	15.94	15.88					
328AT	5.25	6.25	16.00	.81	.656	3.00	4.40	4.25	2.125	4.00 ³	.15	.500	3.12	3.94	1.875	3.69	.500	2.81	15.88	17.75	34.63	8.00 ²	15.94	15.88					
329AT	5.25	6.25	18.00	.81	.656	3.00	4.40	4.25	2.125	4.00 ³	.15	.500	3.12	3.94	1.875	3.69	.500	2.81	15.88	19.75	36.63	8.00 ²	15.94	15.88					
365AT	5.88	7.00	12.25	.81	.813	3.25	4.94	4.75	2.375	4.50 ³	.19	.625	3.50	4.62	2.125	4.37	.500	3.13	17.75	13.75	32.94	9.00 ²	17.94	17.88					
366AT	5.88	7.00	14.00	.81	.813	3.25	4.94	4.75	2.375	4.50 ³	.19	.625	3.50	4.62	2.125	4.37	.500	3.13	17.75	15.50	35.13	9.00 ²	17.94	17.88					
368AT	5.88	7.00	18.00	.81	.813	3.25	4.94	4.75	2.375	4.50 ³	.19	.625	3.50	4.62	2.125	4.37	.500	3.13	17.75	19.50	38.13	9.00 ²	17.94	17.88					
3610AT	5.88	7.00	22.00	.81	.813	3.25	4.94	4.75	2.375	4.50 ³	.19	.625	3.50	4.62	2.125	4.37	.500	3.13	17.75	23.50	41.45	9.00 ²	17.94	17.88					
3612AT	5.88	7.00	28.00	.81	.813	3.25	4.94	4.75	2.375	4.50 ³	.19	.625	3.50	4.62	2.125	4.37	.500	3.13	17.75	29.50	45.56	9.00 ²	17.94	17.88					

FRAME	CONDUIT BOX					BLOWER										ARM APPROX. WK ² LBS.FT. ²	APPROXIMATE WEIGHT	
	AA	AB	AC	AF	BS	XL	XN	SIZE	XB	XD	XE	XH	XM	XJ	XK			XS
327AT	2	12.94	10.32	5.00	11.81	7.88	5.25	LM6	19.13	26.38	17.38	10.25	4.19	9.44	11.50	3.75	8.45	738 ⁵
328AT	2	12.94	10.32	5.00	13.68	7.88	5.25	LM6	19.13	26.38	17.38	10.25	4.19	9.44	11.50	3.75	9.67	813 ⁵
329AT	2	12.94	10.32	5.00	15.68	7.88	5.25	LM6	19.13	26.38	17.38	10.25	4.19	9.44	11.50	3.75	10.97	922 ⁵
365AT	2 1/2	14.06	11.38	5.00	9.06	7.88	5.25	LM6	18.88	26.38	18.44	10.25	5.69	10.95	11.50	3.75	15.61	803 ⁵
366AT	2 1/2	14.06	11.38	5.00	11.25	7.88	5.25	LM6	18.88	26.38	18.44	10.25	5.69	10.95	11.50	3.75	18.27	913 ⁵
368AT	2 1/2	14.06	11.38	5.00	14.25	7.88	5.25	LM6	18.88	26.38	18.44	10.25	5.69	10.95	11.50	3.75	22.21	1073 ⁵
3610AT	3	16.86	13.09	6.53	18.25	11.63	7.76	LM9	25.50	28.31	20.94	10.75	5.50	12.38	15.25	3.75	28.00	1109 ⁵
3612AT	3	16.86	13.09	6.53	24.25	11.63	7.76	LM9	25.50	28.31	20.94	10.75	5.50	12.38	15.25	3.75	31.60	1145 ⁵

- 1) SHAFT DIAMETERS TO 1.500 TOLERANCE +.0000 - .0005
SHAFT DIAMETERS ABOVE 1.500 TOLERANCE +.0000 - .0010
SHAFT DIAMETERS TO 1.625 RUNOUT .002 T.I.R. MAX.
SHAFT DIAMETERS ABOVE 1.625 RUNOUT .003 T.I.R. MAX.
- 2) 'D' DIMENSION TOLERANCE +.000 - .060
- 3) 'V' DIMENSION IS MAX. HUB LENGTH ON SHAFT
- 4) CONDUIT BOX CAN BE ROTATED IN 90° STEPS ON ITS OWN AXIS.
- 5) TOTAL WEIGHT OF MOTOR AND BLOWER LESS TACH WEIGHT.
- 6) ALL DIMENSIONS NOT NOTED ARE NOMINAL DIMENSIONS CONSULT FACTORY FOR TOLERANCES.

FOR F1 OR F2 CONDUIT BOX LOCATION SEE SALES ORDER

CUSTOMER IS RESPONSIBLE FOR DETERMINING THAT BALDOR'S PRODUCT WILL PERFORM SUITABLY IN THE INTENDED APPLICATION.

REV. DESC: REV. "D" DIM TO +.000 - .060 ONLY	VERSION: 01	TDR: 000000752448
REV. LTR: G	FILE: \RGG\00019\490	REVISED: 01:55:17 06/19/2012
MTL: -		BY: RGGNAS

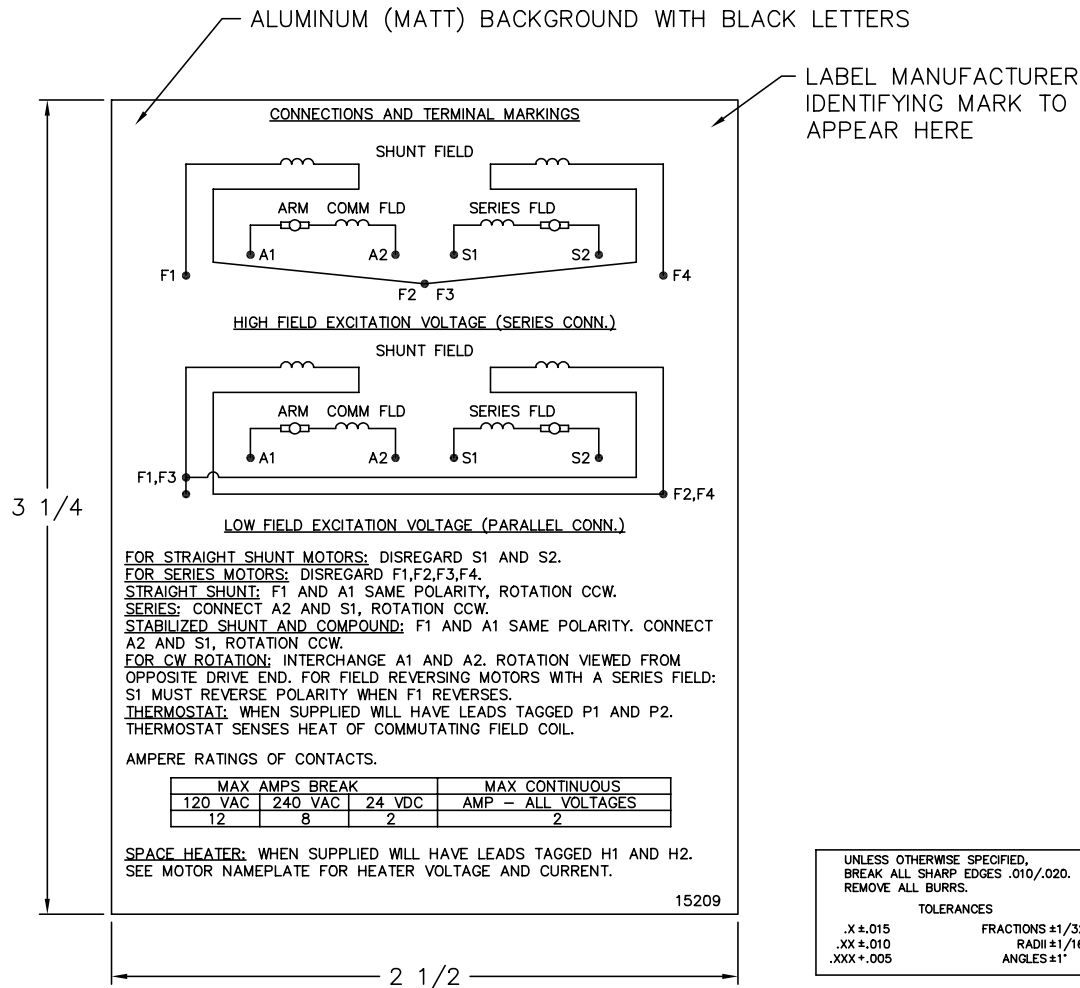
BALDOR

DIM SHEET: 327-3612AT,DPBV,W/TACH

SH 1 of 1

1336-4

15209



NOTE:
 MATERIAL .005 MINIMUM FULL HARD ALUMINUM DULL FINISH.
 TEMP. RANGE -20°C TO +125°C MAXIMUM.
 FOR INDOOR AND OUTDOOR MOUNTING BACK.
 METAL, PRESSURE SENSITIVE BACK. MUST MEET CSA STANDARD.
 THE CSA IDENTIFYING MARK OF THE LABEL MANUFACTURER MUST APPEAR IN THE UPPER RIGHT HAND CORNER AS INDICATED.

MATL: NOTED

REV: G CHANGE ALL "NAMEPLATE" TEXT TO "LABEL"

60Z91

SCALE: - BY: BKW REVISED: 02/19/97
 FILE: CHB00002485 TDR: 0115147

BALDOR ELECTRIC Co.

LABEL, CONNECTIONS AND TERMINAL MARKINGS DC

15209

Marketing maintained PDF of MN605:

<http://www.baldor.com/support/Literature/Load.ashx/MN605?ManNumber=MN605>