

**BALDOR® • RELIANCE** 

**Product Information Packet**

**D50125UR-BV**

**125HP, 1750RPM, DC, 2813ATZ, DPG-FV,**

Part Detail							
Revision:	-	Status:	PRD/A	Change #:		Proprietary:	No
Type:	DC	Prod. Type:		Elec. Spec:	G8290A B	CD Diagram:	406770-006
Enclosure:	DP	Mfg Plant:		Mech. Spec:		Layout:	616022-001
Frame:	UC281	Mounting:	F2	Poles:	00	Created Date:	04-09-2015
Base:		Rotation:	R	Insulation:	F	Eff. Date:	04-13-2015
Field Type:		Literature:		Elec. Diagram:		Replaced By:	

Specs			
Enclosure:	DP		
Frame:	UC2813ATZ		
Frame Material:	Steel		
Agency Approvals:	CCSA US		
Base Indicator:	Rigid		
Bearing Grease Type:	Polyrex EM (-20F +300F)		
Drip Cover:	No Drip Cover		
Duty Rating:	CONT		
Feedback Device:	NO FEEDBACK		
Field Winding Type:	STR. SHUNT		
Frame Prefix:	UC		
Heater Indicator:	No Heater		
Insulation Class:	F		
Lifting Lugs:	Standard Lifting Lugs		
Mounting Arrangement:	F2		
Shaft Extension Location:	Pulley End		

<b>Shaft Ground Indicator:</b>	No Shaft Grounding		
<b>Shaft Slinger Indicator:</b>	No Slinger		
<b>Motor Standards:</b>	NEMA		

<b>Nameplate 000613006HP</b>	
<b>CAT.NO.</b>	D50125UR-BV
<b>FR</b>	UC 2813ATZ
<b>ENCL.</b>	DP
<b>ENCL MOD</b>	FORCE VENT
<b>MAX SAFE SPEED</b>	4000
<b>FIELD DATA</b>	
<b>WINDING</b>	STR. SHUNT
<b>VOLTS</b>	300
<b>MAX AMPS @ 25 C</b>	6.93
<b>HOT AMPS</b>	4.87/ 4.24
	BRUSH:419904051AF
<b>SPEC NO.</b>	T28T1349
<b>HP</b>	125
<b>RPM</b>	1750/ 2000
<b>VOLTS</b>	500
<b>AMPS</b>	204.00
<b>SER.NO.</b>	
<b>DUTY</b>	CONT
<b>S.F.</b>	1.0
<b>INSUL</b>	F
<b>AMB.</b>	40
<b>POWER CODE</b>	C
<b>D.E. BRG.</b>	75RU02M30X
<b>O.D.E. BRG.</b>	55BC02J30X
<b>MIN. AMB.</b>	0
<b>TYPE</b>	TR

Parts List		
Part Number	Description	Quantity
SA297057	SA T28T1349	1.000 EA
AA016108	AA T28T1349	1.000 EA
000613006HP	NAMEPLATE - RPM III D-C MOTOR W/CSA LOGO	1.000 EA
000692000FP	NP, WARNING LIFT INSTRUCTIONS	1.000 EA
000692000FS	WARNING LABEL	1.000 EA
036170004EA	ROUND HEAD DRIVE SCREW	6.000 EA
406770006	C/D TAG STRAIGHT SHUNT	1.000 EA
416822013AB	NU215 AFBMA3 BRS RBEC1 S SLUSH	1.000 EA
036000020HB	HHCS M6-1.0X20MM PLATED	4.000 EA
036000020KB	MHHCS M10-1.5X20MM PLTD.	4.000 EA
036501008AB	KPNUT M6-1.0 ZINCPLTED	8.000 EA
036610010AB	MHSLW M10 PLATED	4.000 EA
419904-51AF	BRUSH METRIC C	8.000 EA
419905003A	FLAT WASHER ROCKER RPM III RGG	4.000 EA
419905008A	HARDWARE	8.000 EA
706364051H	BRHLD METRIC SPRING CHG.	4.000 EA
706372011RG	BR STUD/ROCKER	1.000 EA
034693001AB	PPLG - G508- use 034692001AB	1.000 EA
034693001AB	PPLG - G508- use 034692001AB	1.000 EA
035000001A	ALFTG 1/8" 1610-BL	1.000 EA
035000001BB	GREASE FTG,GRS.IN	1.000 EA
036000060KB	HHCS,DE CAP	3.000 EA
036100060JA	M8-1.25 X 60MM HXSOCHDCS	3.000 EA
036500011AB	METRIC NUT M12-1.75 PLT.	4.000 EA

Parts List (continued)		
Part Number	Description	Quantity
036500011AB	METRIC NUT M12-1.75 PLT.	4.000 EA
048977006C	GRFTG - XP	1.000 EA
418150003A	GREASE FITTING CAP	2.000 EA
609830005AAX	TBOLT .500" X 20.38"	4.000 EA
801928102D	BRKT,ODE,C280	1.000 EA
801929102B	BRKT,DE,C280	1.000 EA
000613006NT	NAME PLATE IEC	1.000 EA
032018004CK	HHCS 3/8-16X1/2L PLATED	4.000 EA
032018006CK	HHCS 3/8-16X3/4L PLATED	4.000 EA
034017014AB	LCKW 3/8 STD. PLATED	4.000 EA
036000012HB	HHCS M6X12MM LONG PLATED	4.000 EA
036000012JB	M8-1.25 X 12MM HXHDC	3.000 EA
036000020JB	HHCS M8-1.25X20L PLTD-250	4.000 EA
036000045JB	M8-1.25 X 45MM HXHCS	4.000 EA
036600009AB	METRIC FLWASH M8 PLATED	3.000 EA
036620009AB	M8 EXTERNAL LK WASHER	1.000 EA
077176001A	CBOXC, PAINTED 360-400	1.000 EA
402731001A	GASK 360-440	1.000 EA
410978010E	INLET FLGE	1.000 EA
410978019A	SCREEN, INLET FLANGE	1.000 EA
417733004E	GASKT	2.000 EA
418014004A	ADAPT 418014-4WCA	1.000 EA
418018074A	GROUND LABEL G100 METRIC 160 D.C.	1.000 EA
422919053	HHCVR KIT, C280, DE, XT	1.000 EA

Product Information Packet: D50125UR-BV - 125HP,1750RPM,DC,2813ATZ,DPG-FV,

422919055	HHCVR KIT, C280, DE, LOUVERED	1.000 EA
422919055	HHCVR KIT, C280, DE, LOUVERED	1.000 EA
422919064	HHCVR KIT, C280, ODE, SOLID	1.000 EA
422919064	HHCVR KIT, C280, ODE, SOLID	1.000 EA
610490001AF	1.5HP,3450//2850RPM,3PH,60//50HZ,56C,352	1.000 EA
611917002E	GASKT	1.000 EA
611965001A	WHEEL, BLOWER	1.000 EA
706305026A	GUARD,SHAFT	1.000 EA
706320016A	CONDUIT BOX	1.000 EA
708528004A	BLOWER HOUSING	1.000 EA
000640000P	TAG WINDING THERMOST	1.000 EA
000692000NG	LABEL ;NP 4POLE METRIC LABEL	1.000 EA
032018024DK	HHCS 1/2-13X3L PLATED	1.000 EA
034001016AB	WSHR .562ID 1.375OD .109	1.000 EA
034180032HA	KEY 5/8X5/8X4 L bin stocked	1.000 EA
418018116	WARNING PLATE	1.000 EA

616022-001

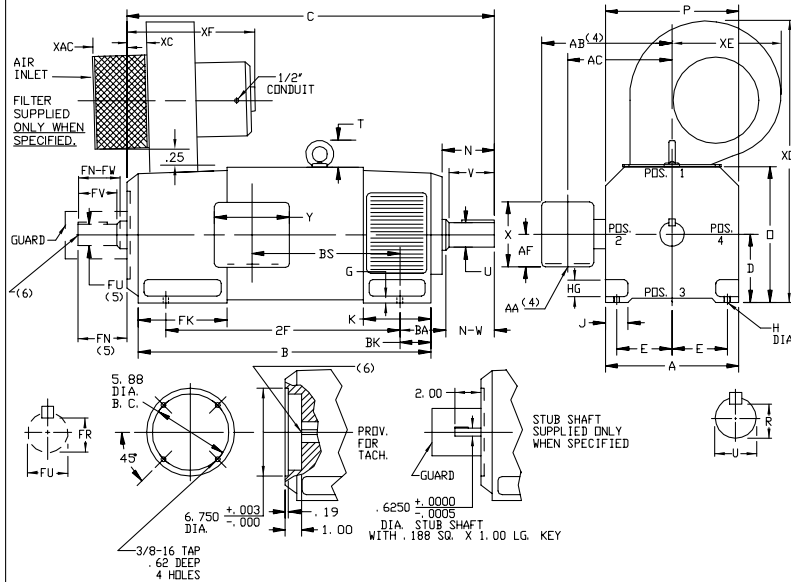
## INDUSTRIAL DIRECT CURRENT MOTORS AND GENERATORS - RPM III

ENCLOSURE: DRIP-PROOF FULLY-GUARDED,  
SPLASHPROOF

COOLING: FORCE VENTILATED  
WITH INTEGRAL  
BLOWER AND MOTOR

MOUNTING: FOOT

ACCESSORIES: PROVISION FOR  
TACHOMETER MOUNTING  
FRAMES MC2812ATZ THRU UC2815ATZ ONLY WHEN SPECIFIED



DIMENSIONS ARE IN INCHES

FRAME	XAC	XC	XE	XF	XO
MC2812ATZ-UC2815ATZ	6.38	4.00	9.25	19.00	26.25

FRAME	METHOD OR DRIVE	DRIVE END SHAFT AND KEY											OPPOSITE DRIVE END SHAFT AND KEYS					WT. LBS.		
		C(7)	B	BS	2F	N	N-V	UK(2)	V	RC(3)	SO	LGTH.	FN	FN-FW	FK(2)	FV	FR(3)		SO	LGTH.
MC2812ATZ	COUPLED	37.38	29.94	14.25	22.00	3.00	4.75	2.375	4.50	2.021	.625	3.50	4.50	4.25	2.125	4.00	1.845	.500	3.00	810
UMC2812ATZ	BELTED	37.88	29.94	14.25	22.00	3.50	5.25	2.625	5.00	2.275	.625	4.00	4.50	4.25	2.125	4.00	1.845	.500	3.00	815
LC2812ATZ	COUPLED	39.62	32.19	16.50	22.00	3.00	4.75	2.375	4.50	2.021	.625	3.50	4.50	4.25	2.125	4.00	1.845	.500	3.00	885
ULC2812ATZ	BELTED	40.12	32.19	16.50	22.00	3.50	5.25	2.625	5.00	2.275	.625	4.00	4.50	4.25	2.125	4.00	1.845	.500	3.00	890
CB2813ATZ	COUPLED	41.25	33.81	18.12	25.00	3.00	4.75	2.375	4.50	2.021	.625	3.50	4.50	4.25	2.125	4.00	1.845	.500	3.00	940
UCB2813ATZ	BELTED	41.75	33.81	18.12	25.00	3.50	5.25	2.625	5.00	2.275	.625	4.00	4.50	4.25	2.125	4.00	1.845	.500	3.00	945
CB2815ATZ	COUPLED	46.75	39.31	23.62	32.00	3.00	4.75	2.375	4.50	2.021	.625	3.50	4.50	4.25	2.125	4.00	1.845	.500	3.00	1125
UCB2815ATZ	BELTED	47.25	39.31	23.62	32.00	3.50	5.25	2.625	5.00	2.275	.625	4.00	4.50	4.25	2.125	4.00	1.845	.500	3.00	1130

- (1) "D" DIMENSION WILL NOT BE EXCEEDED. SHIMS UP TO .03 INCHES IN THICKNESS ARE USUALLY REQUIRED FOR COUPLED OR GEARED MACHINES.
  - (2) "U" AND "FU" VARY-----000 - .001
  - (3) "R" AND "FR" VARY-----000 - .015
  - (4) TERMINAL BOX VARIES WITH H.P. FOR DIMENSIONS "AA", "AB", "AC", "AF", "X" AND "Y". REFER TO BOX D/S. (STD. 609959-1, "X/P" 609959-2, WILL 609959-3)
  - (5) OPPOSITE DRIVE END SHAFT SUPPLIED ONLY WHEN SPECIFIED.
  - (6) MOTOR SHAFT TAPPED FOR SCREW-IN STUB SHAFT.
  - (7) WHEN THE MOTOR APPLICATION DOES NOT REQUIRE THE USE OF OPP. DRIVE END, ADD .25 TO "C" DIM. FOR BRACKET COVER.
- TERMINAL BOX CAN BE ROTATED FOR LEAD OUTLET AT TOP, SIDES OR BOTTOM. TERMINAL BOX LOCATED ON OPPOSITE SIDE WHEN F-2, V-1, V-4, V-5, V-7, OR C-1 MOUNTING IS SPECIFIED. BOX LOCATED ON TOP WHEN SPECIFIED. BLOWER ASSEMBLY CAN BE LOCATED AT POSITIONS 1, 2, OR 4, EXCEPT BLOWER ASSEMBLY AND TERMINAL BOX CAN NOT BE LOCATED AT THE SAME POSITION. MOTOR WEIGHT MAY VARY 15% FOR NON-STANDARD RATINGS AND/OR ACCESSORIES. IF MOUNTING CLEARANCE DETAILS ARE REQUIRED, CONSULT FACTORY.

CUSTOMER IS RESPONSIBLE FOR DETERMINING THAT BALDOR'S PRODUCT WILL PERFORM SUITABLY IN THE INTENDED APPLICATION.

REV. DESC: LOADED TO BUS	VERSION: 00	TDR: 000000578087
REV. LTR: -	REVISED: 01:13:50 01/28/2011	BY: CONNAS
FILE: \RGG\00016\005		
MTL: -		

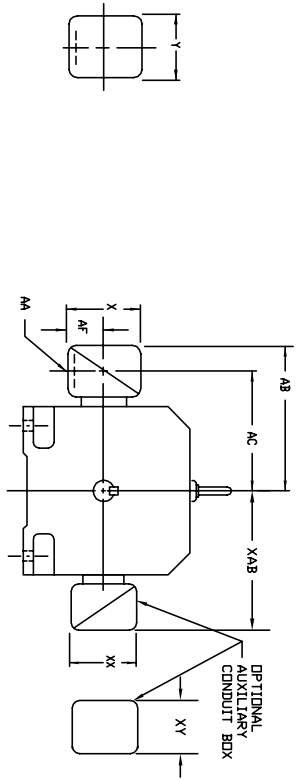
**BALDOR**  
DIMENSION DRAWING, MC2812ATZ - UC2815ATZ, DPP, FOOT MTG  
SH 1 of 1

616022-001



609959-001

**INDUSTRIAL DIRECT CURRENT MOTORS  
AND GENERATORS - RPM III**  
TERMINAL BOX DIMENSIONS  
STANDARD SIZE AND ONE SIZE LARGER  
FRAMES C2113ATZ THRU C2815ATZ



FRAME SIZE	STANDARD SIZE						ONE SIZE LARGER								
	MAX. AMPS	AK(1)	AB	AC	AF	PART NUMBER	AK(1)	AB	AC	AF	PART NUMBER				
C2113ATZ	40	3/4 & 1"	8.97	7.47	1.94	4.38	5.00	7.05029-1-R	1-1/4 & 1-1/2	10.03	8.03	2.50	5.50	6.12	705029-1-R
C2115ATZ	96	1-1/4 & 1-1/2	10.03	8.03	2.50	5.50	6.12	705029-1-R	2" & 2-1/2	11.16	8.41	3.19	7.00	7.62	705030-1-R
(2)	208	2" & 2-1/2	11.16	8.41	3.19	7.00	7.62	705030-1-R	2" & 2-1/2	11.16	8.41	3.19	7.00	7.62	705030-1-R
C2513ATZ	40	3/4 & 1"	10.03	8.53	1.94	4.38	5.00	705029-1-R	1-1/4 & 1-1/2	11.09	9.09	2.50	5.50	6.12	705029-1-R
C2515ATZ	96	1-1/4 & 1-1/2	11.09	9.09	2.50	5.50	6.12	705029-1-R	2" & 2-1/2	12.22	9.47	3.19	7.00	7.62	705030-1-R
(2)	208	2" & 2-1/2	12.22	9.47	3.19	7.00	7.62	705030-1-R	2" & 2-1/2	12.22	9.47	3.19	7.00	7.62	705030-1-R
C2813ATZ	128	2"	14.03	10.53	4.25	8.44	7.25	74874-R	3"	14.47	11.22	4.25	8.44	7.25	74874-R
C2815ATZ	185	3"	14.47	11.22	4.25	8.44	7.25	74874-R	4"	15.91	11.84	5.38	10.56	9.00	703038-3-R
(2)	259	4"	15.91	11.84	5.38	10.56	9.00	703038-3-R	5" (4)	18.72	13.47	7.00	12.75	15.00	702658-1-C

FRAME SIZE	STANDARD SIZE						ONE SIZE LARGER								
	MAX. AMPS	AK(3)	AB	AC	AF	PART NUMBER	AK(3)	AB	AC	AF	PART NUMBER				
C2113ATZ	18	3/4	10.03	8.03	2.50	5.00	5.75	705028-2-S	1"	10.03	8.03	2.50	5.00	5.75	705028-2-T
C2115ATZ	40	1"	10.03	8.03	2.50	5.00	5.75	705028-2-R	1-1/2	10.97	8.53	3.00	6.00	7.00	705029-2-S
(2)	96	1-1/2	10.97	8.53	3.00	6.00	7.00	705029-2-R	2-1/2	12.66	8.91	3.62	7.88	9.23	705029-2-S
208	3/4	10.97	8.53	3.00	6.00	7.00	705029-2-S	1"	11.09	9.09	2.50	5.00	5.75	705028-2-T	
C2513ATZ	40	1"	11.09	9.09	2.50	5.00	5.75	705028-2-T	1-1/2	12.03	9.59	3.00	6.00	7.00	705029-2-R
C2515ATZ	96	1-1/2	12.03	9.59	3.00	6.00	7.00	705029-2-S	2"	12.03	9.59	3.00	6.00	7.00	705029-2-S
(2)	208	2"	12.03	9.59	3.00	6.00	7.00	705029-2-S	1-1/2	12.03	9.59	3.00	6.00	7.00	705029-2-R
C2813ATZ	128	2"	12.78	10.34	3.00	6.00	7.00	75460-T	3"	14.47	10.72	3.62	7.88	9.23	76708-R
C2815ATZ	185	3"	14.47	10.72	3.62	7.88	9.23	76708-R	4"	15.78	11.59	4.12	9.50	10.50	76708-R
(2)	259	4"	15.78	11.59	4.12	9.50	10.50	76708-R	5" (4)	18.59	13.34	7.00	12.75	15.00	76870-S

FRAME SIZE	STANDARD SIZE						ONE SIZE LARGER					
	AMP(S)	AB	AC	AF	X	Y	AB	AC	AF	X	Y	
C210	100	10.71	8.98	2.72	7.48	7.48	706310-56-A	7.48	706310-56-A	7.48	706310-225-R	
200	11.26	9.25	3.35	8.82	8.82	706310-56-B	8.82	706310-56-B	8.82	706310-225-R		
400	11.80	9.57	2.72	7.48	7.48	706310-56-B	7.48	706310-56-B	7.48	706310-225-R		
800	11.85	9.84	3.35	8.82	8.82	706310-56-B	8.82	706310-56-B	8.82	706310-225-R		
C290	400	17.48	12.75	6.20	14.39	14.39	706310-63-B & 706310-63G	14.39	706310-63-B & 706310-63G	14.39	706310-63-B & 706310-63G	
800	17.48	12.75	6.20	14.39	14.39	706310-63-B & 706310-63G	14.39	706310-63-B & 706310-63G	14.39	706310-63-B & 706310-63G		
200	12.60	10.99	3.76	8.82	8.82	706310-56-B	8.82	706310-56-B	8.82	706310-226-R		
400	18.27	13.54	6.20	14.39	14.39	706310-63-B & 706310-63G	14.39	706310-63-B & 706310-63G	14.39	706310-63-B & 706310-63G		
800	18.27	13.54	6.20	14.39	14.39	706310-63-B & 706310-63G	14.39	706310-63-B & 706310-63G	14.39	706310-63-B & 706310-63G		
C280	1600	18.27	13.54	7.68	15.35	15.35	706310-63-C	15.35	706310-63-C	15.35	706310-63-C	

(1) \*MAX. CONDUIT  
(2) STEEL TERMINAL BOX FOR C2113ATZ AND C2515ATZ  
(3) \*MAX. PIPE TAP  
(4) TERMINAL BOX 76870-9R EXTENDS BELOW MOTOR FEET.  
TERMINAL BOX CAN BE ROTATED FOR LEAD DULLET AT TOP, SIDES OR BOTTOM.  
TERMINAL BOX LOCATED ON OPPOSITE SIDE WHEN F-2, V-1, V-4, V-5, V-7,  
OR C-1 MOUNTING IS SPECIFIED. BOX LOCATED ON TOP WHEN SPECIFIED.  
FOR \*X/P TERMINAL BOX DIMENSIONS SEE 609959-2.  
FOR \*\*X/P TERMINAL BOX DIMENSIONS SEE 609959-3.

CUSTOMER IS RESPONSIBLE FOR DETERMINING THAT BALDOR'S PRODUCT WILL PERFORM SUITABLY IN THE INTENDED APPLICATION.

REV. DESC: ADD 706310-63G C/BOX TO C250 AND C280 FRAMES	VERSION: 01	TDR: 000000816512
REV. LTR: A		
FILE: \RGG\00021\153		REVISED: 03:09:09 09/06/2013
MTL: -		BY: RGGWT

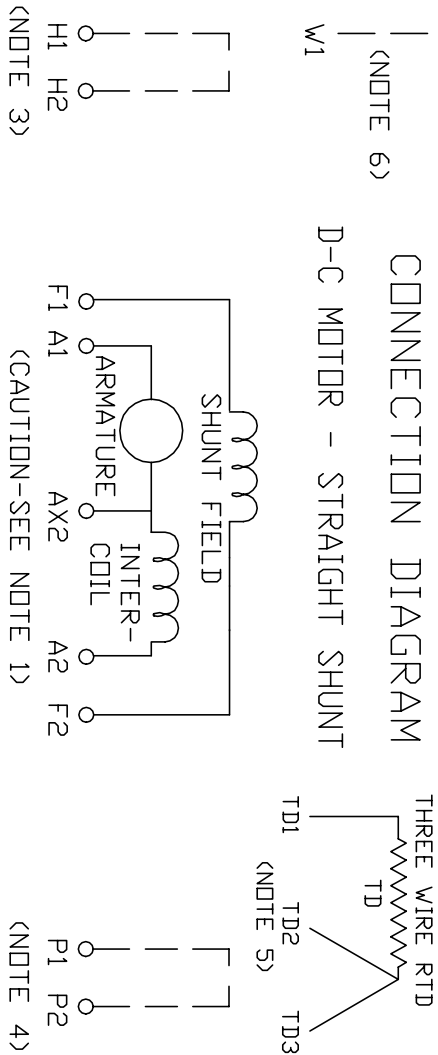


DIMENSION SHEET  
SH 1 of 1

609959-001

406770-006

406770-006



1. **CAUTION** — ARMATURE MAY HAVE MULTIPLE LEADS. CONNECT ALL LUGS WITH THE SAME MARKING TOGETHER.
2. OPTIONAL CONTROL SIGNAL LEAD IS MARKED AX2. ALWAYS TAKE INTERPOLE DROP BETWEEN A2 AND AX2. NOTE: NEMA DESIGNATION FOR AX2 IS LETTER C.
3. SPACE HEATERS, WHEN PROVIDED, WILL HAVE LEADS MARKED H1 AND H2, H3, H4, ETC.
4. THERMAL PROTECTOR, WHEN PROVIDED, WILL HAVE LEADS MARKED P1 AND P2, P3, P4, ETC.
5. WINDING RTD'S, WHEN PROVIDED, WILL HAVE LEADS MARKED TD1, TD2, & TD3.
6. BRUSH WEAR SENSOR, WHEN PROVIDED, WILL HAVE LEAD MARKED W1.
7. **WARNING** — MOTOR MUST BE GROUNDED TO PREVENT SERIOUS INJURIES TO PERSONNEL. GROUND THE MOTOR PER IEC, NATIONAL ELECTRICAL CODE AND ANY APPLICABLE LOCAL ELECTRICAL CODES. A TAPPED HOLE IS PROVIDED IN THE CONDUIT BOX, ON THE FOOT. FRAME BRACE OR OPPOSITE OPPOSITE DRIVE END BRACKET, ADJACENT TO THE TERMINAL BOX FOR MOTOR GROUNDING. GROUND LEAD, WHEN PROVIDED, WILL BE GREEN.

CUSTOMER \_\_\_\_\_ RELIANCE \_\_\_\_\_  
ORDER NO. \_\_\_\_\_ S.D. NO. \_\_\_\_\_

REV. DESC: UPDATE LOGO AND TITLEBLOCK: LOADED TO BUS		
REV. LTR: -	VERSION: 00	TDR: 000000781086
FILE: \RSN\00026\515	REVISED: 02: 41: 08 02/01/2013	
MTL: -	BY: MGHPC	

**BALDOR**

D-C MOTOR CONNECTION DIAGRAM, STRAIGHT SHUNT  
SH 1 of 1