

DATE  
February 24, 2007  
CATALOG NO.  
DHP0754

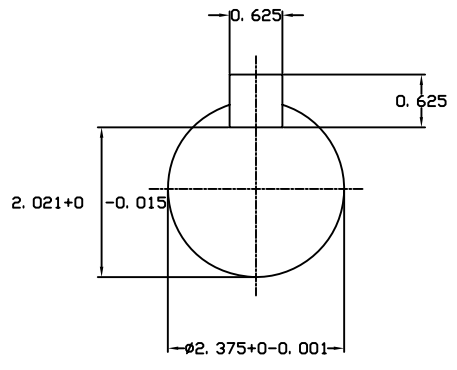
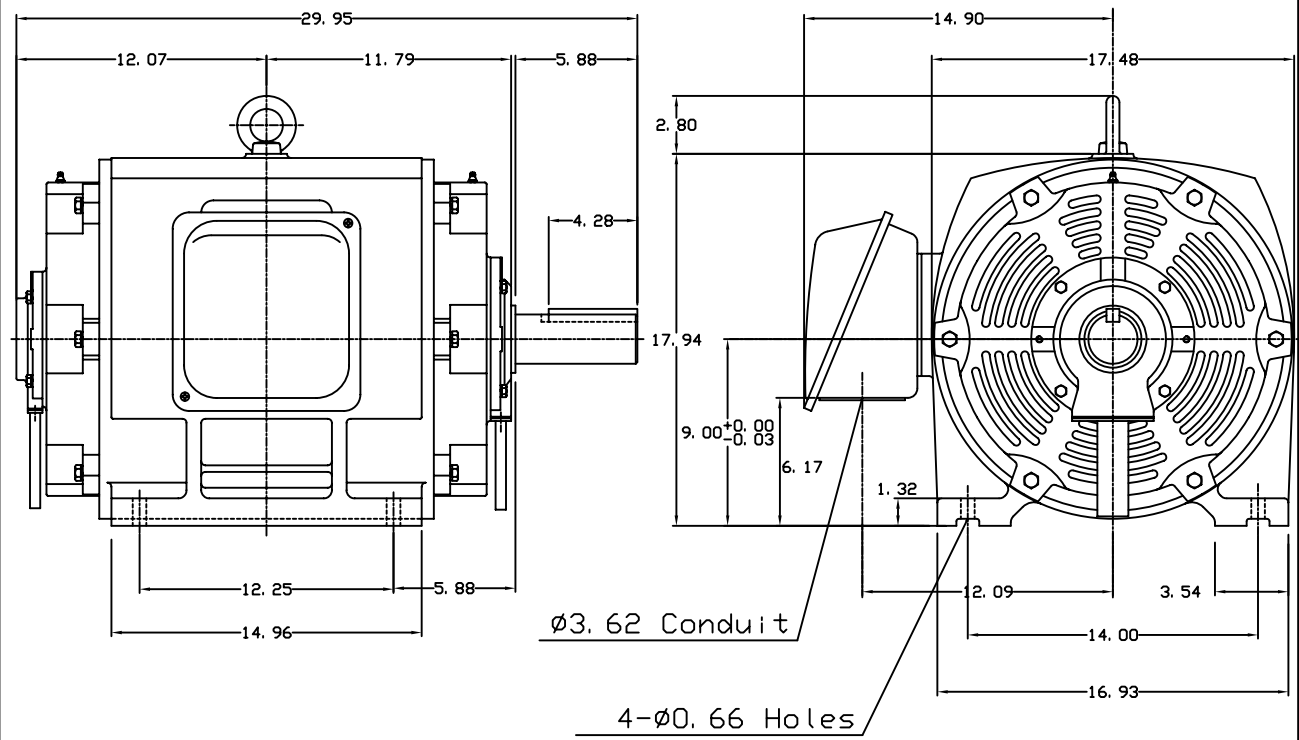
OUTLINE DIMENSIONS  
3-PHASE INDUCTION MOTOR

MOTOR TYPE:  
ASHH  
FRAME NO. 365T

Pole	HP	KW	Hz	VOLT	Syn. Speed RPM
4	75	56	60	230/460	1800

Ins	Rating	Dimension in	Approx Weight	Bearings	
F	CONT.	inch	772 lbs.	DE: 6314	NDE: 6213

Open Protected Drip-Proof Squirrel-Cage Rotor.



DWN.	J. H. LIANG	12-22-98		DWG NO.	31057H396001
CHKD.	C. H. KAO	06-10-99			
APPD.	Y. B. HUANG	06-10-99			