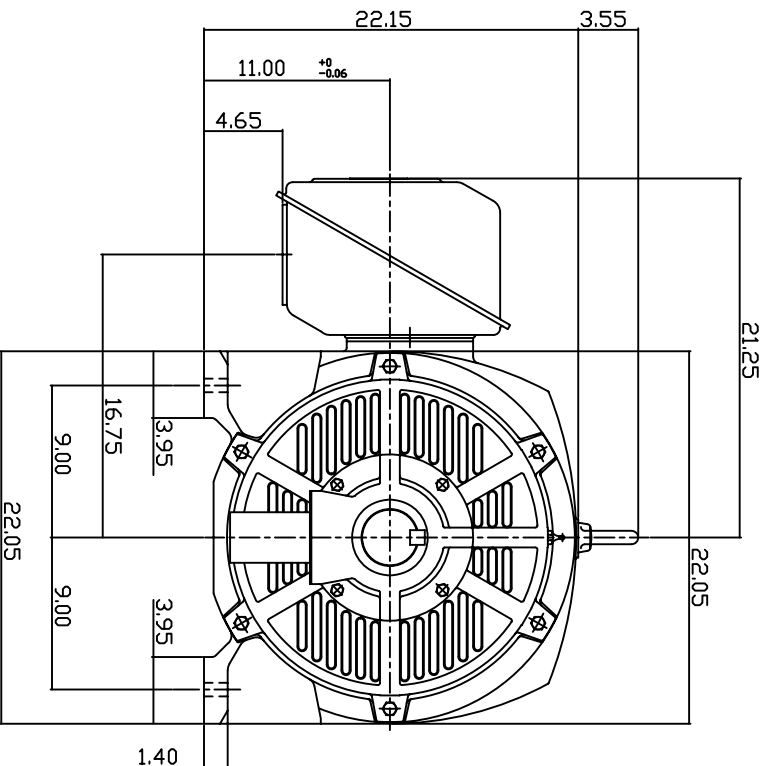
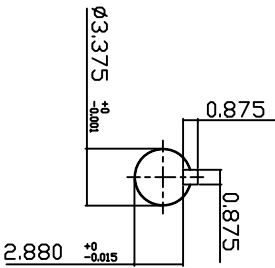
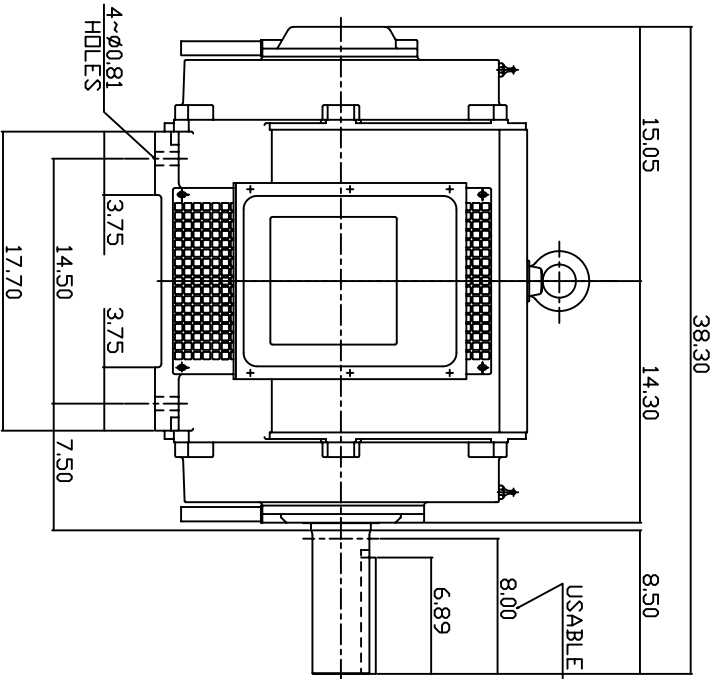


TYPE	OUTPUT		POLE	TIME RATING	VOLTAGE V	Hz	SYN SPEED R.P.M
	HP.	KW.					
ASHH	100	75	6	CDNT.	230/460	60	1200

DRIP PROOF TYPE, SQUIRREL-CAGE ROTOR



NOTE:

1. DIMENSIONS IN INCH.
2. FRAME NO.444T
3. F CLASS INSULATION, S.F.115
4. FOR BELT DRIVE APPLICATIONS
5. BEARING SIZE: DRIVE END: NU318  
NON-DRIVE END: 6316
6. MOTOR APPROX. WEIGHT: 1170 LBS

TB-56SC

DVN.	W.LLIN	MAR. 26. 2003
CHKD.	W.LLIN	MAR. 26. 2003
APPD.	C.WANG	MAR. 26. 2003

DATE	February 24, 2007	OUTLINE DIMENSIONS
CATALOG NO.	DHP1006R	
3-PHASE INDUCTION MOTOR		DWG NO.
TEG Westinghouse		3A040T259
		REV: 00