

DATE  
February 16, 2004

OUTLINE DIMENSIONS  
3-PHASE INDUCTION MOTOR

MODEL TYPE:  
ASGA

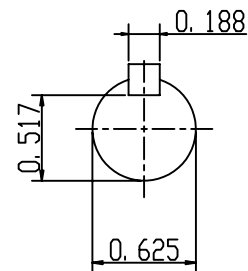
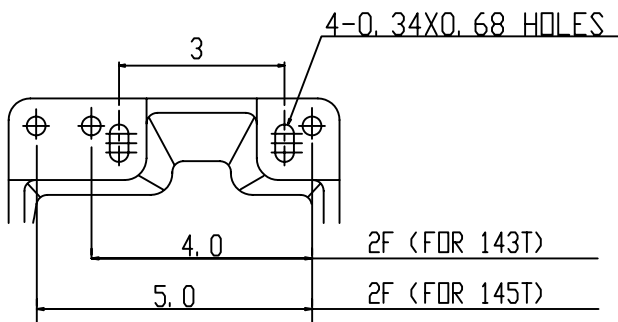
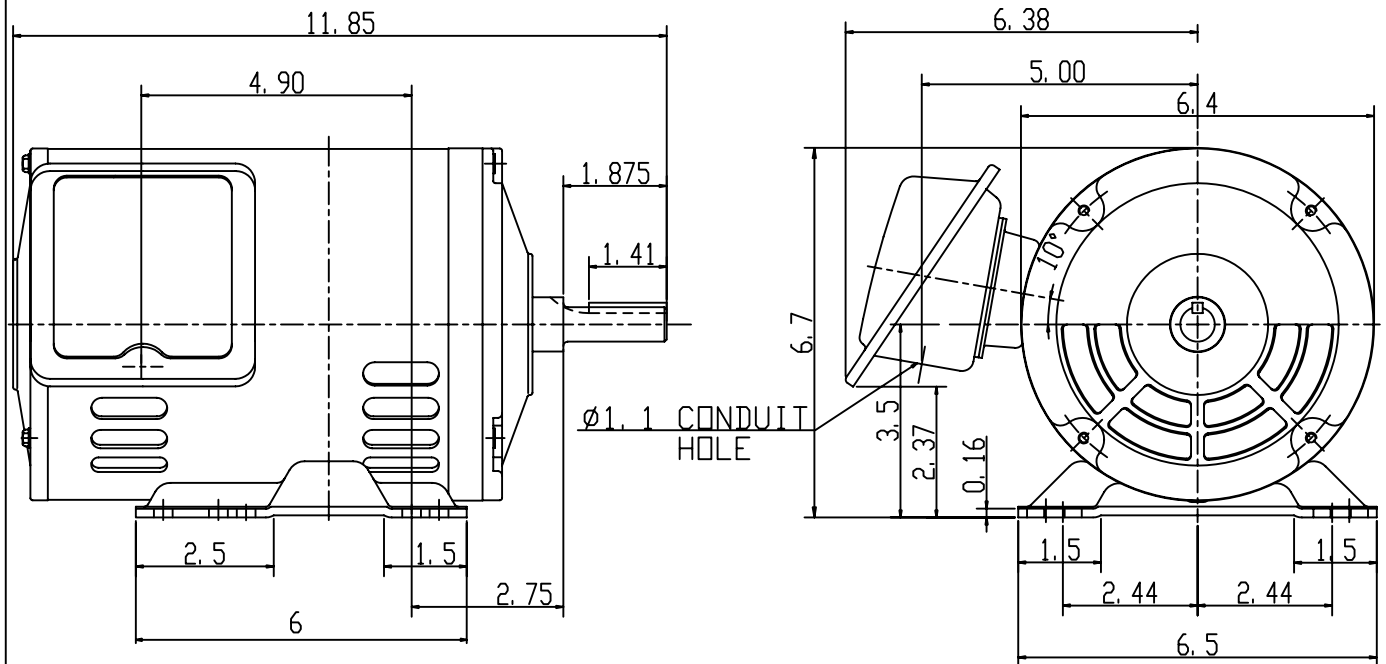
CATALOG NO.  
DS0032

FRAME NO. B56

| Pole | HP | KW  | Hz | VOLT    | Syn. Speed<br>R. P. M |
|------|----|-----|----|---------|-----------------------|
| 2    | 3  | 2.2 | 60 | 230/460 | 3600                  |

| Ins. | Rating | Dimensions in | Approx Weight | Bearings               |
|------|--------|---------------|---------------|------------------------|
| F    | CONT.  | inch          | 34.32 lbs     | DF: 6205ZZ NDE: 6204ZZ |

OPEN DRIP-PROOF



SCALE=3: 1

|       |            |          |
|-------|------------|----------|
| APPD. | W. H. TSAI | 04 03 03 |
| CHKD. | J. B. CHEN | 04 03 03 |
| DWN.  | P. J. CHEN | 04 03 03 |

TEC   Westinghouse

DWG NO.  
31049Z105  
0872