

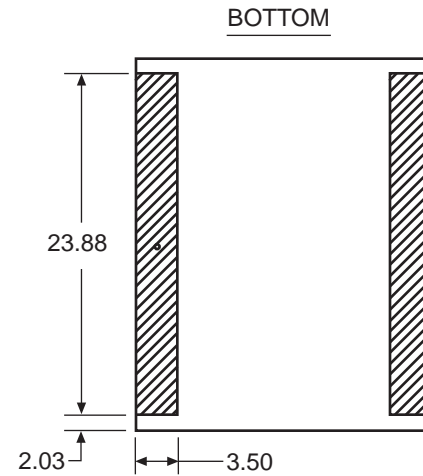
KEY: DENOTES CONDUIT AREAS

KVA	RISE	PHASE	WINDING
* 30	80 & 115	3	AL.
* 45	80 & 115	3	AL.
45 (1S & 8S)	80 & 115	3	AL.
34	150	3	AL.
51	150	3	AL.
63	150	3	AL.
75	150	3	AL. & CU.
50	150	1	AL.
75 (1S & 8S)	80 & 115	3	CU.

\* ME-2 (UNITS)

NOTE:

PRIMARY AND SECONDARY BUS AREA  
IN FRONT OF CASE.



**Acme Electric  
Corporation**

Power Distribution Products Division

4815 West Fifth Street  
Lumberton, NC 28358  
910-738-1121 Inside NC  
800-334-5214 Outside NC  
910-739-0024 Fax  
[www.acmepowerdist.com](http://www.acmepowerdist.com)

A-701550-02