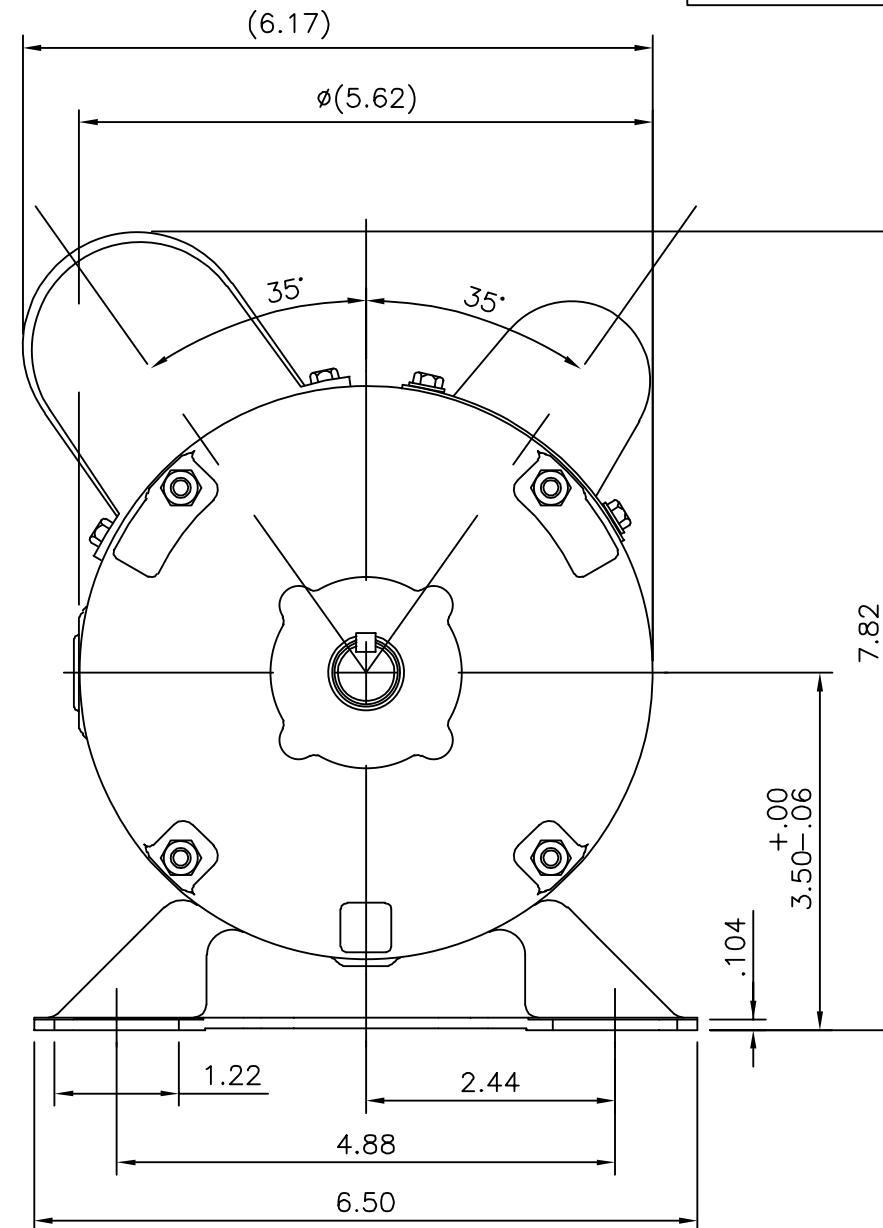
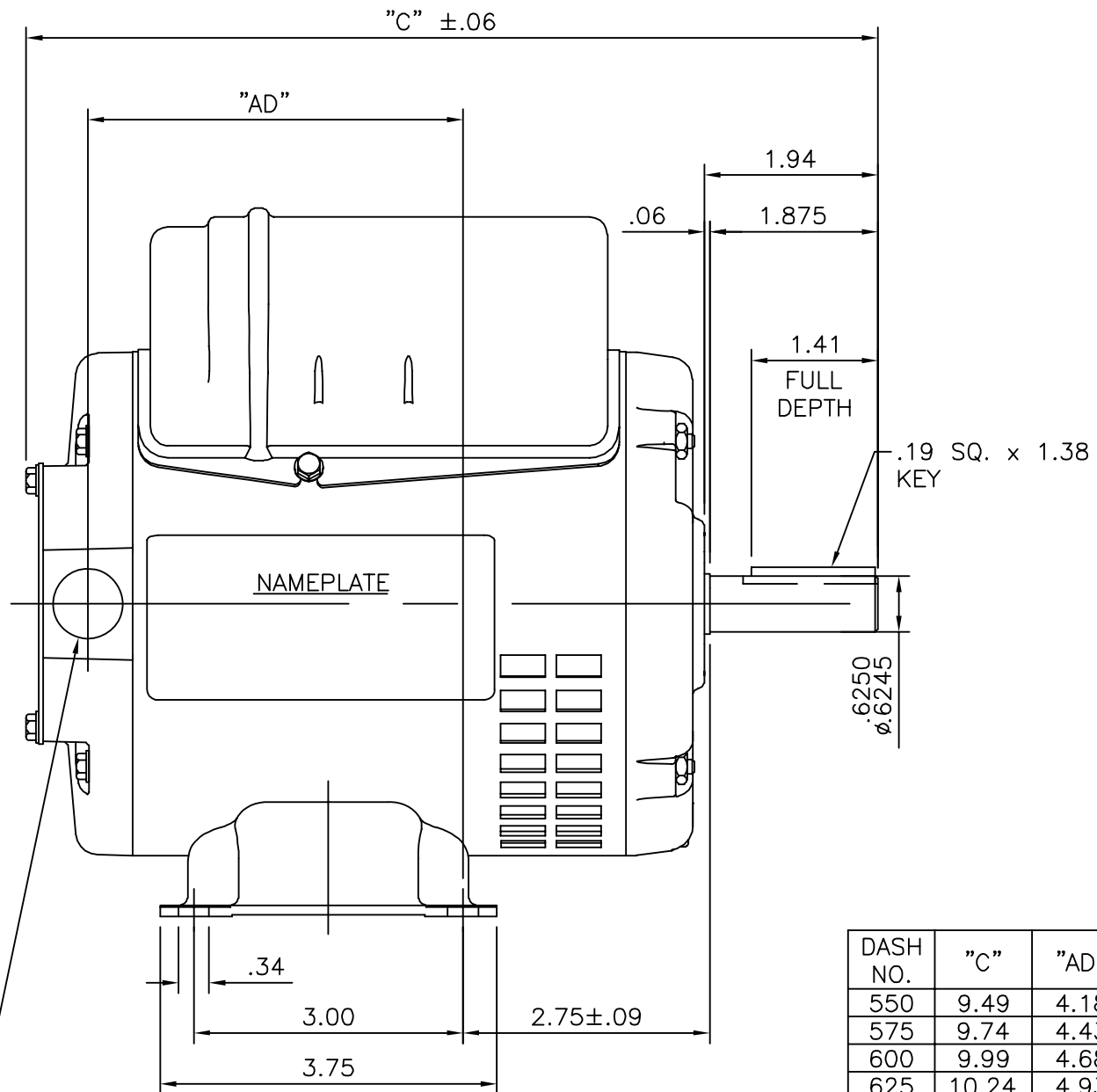


SS404118



DASH NO.	"C"	"AD"	ORACLE PART REV.
550	9.49	4.18	000
575	9.74	4.43	000
600	9.99	4.68	000
625	10.24	4.93	000
650	10.49	5.18	000
675	10.74	5.43	000
700	10.99	5.68	000
725	11.24	5.93	000
750	11.49	6.18	000
800	11.99	6.68	000

1/2-14 NPT CONDUIT HOLE (PLUGGED)

TOLERANCES UNLESS SPECIFIED

DEC.	INCHES
.X	±.1
.XX	±.03
.XXX	±.005
.XXXX	±.0005
ANG	±7'30"



Regal Beloit America, Inc.

DRAWN PVR 11/28/14

CHK VS 11/28/14

APPD

SCALE NTS

REF 031619

FMF

PREV

B UPDATED DASH VALUES

PST 03/09/2015

VS

.XXX ±.005

TITLE OUTLINE
S56 FRAME RIGID MOUNT – DRIP PROOF

A ADDED DASH VALUES PER ECO-0066022

UD 12/17/14

ST

.XXXX ±.0005

MAT'L.

NO. REVISION

BY & DATE

CHK

ANG ±7'30"

FINISH

THIS DRAWING IN DESIGN AND DETAIL IS OUR PROPERTY AND MUST NOT BE USED EXCEPT IN CONNECTION WITH OUR WORK ALL RIGHTS OF DESIGN AND INVENTION ARE RESERVED THIS IS AN ELECTRONICALLY GENERATED DOCUMENT – DO NOT SCALE THIS PRINT

RFP
DIST WP

CAD FILE SS404118

SIZE
A

DRAWING NO. PAGE 1 OF 1
SS404118

REV.
B