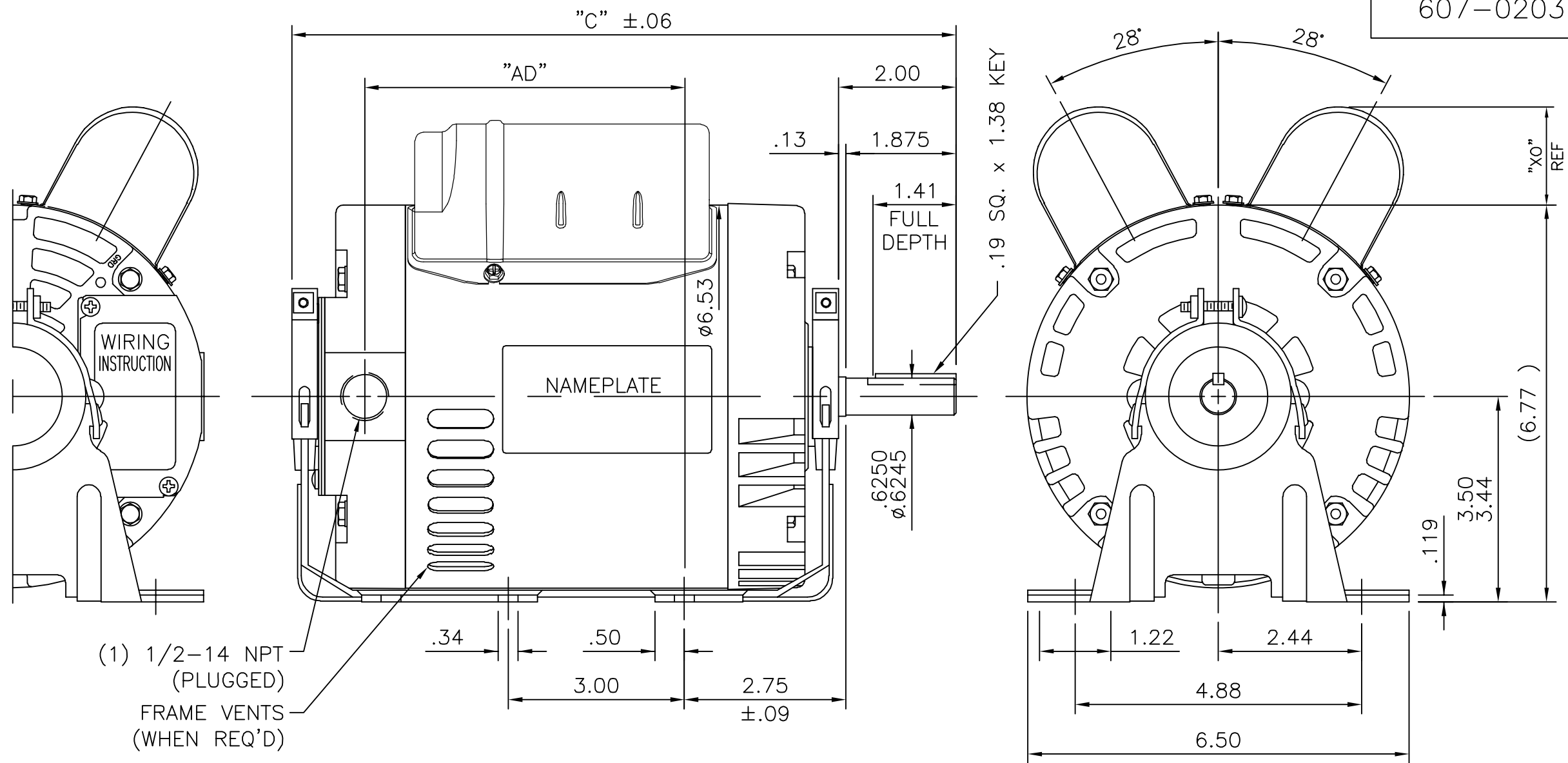



607-0203



DASH NO.	"C"	"AD"	DASH NO.	"C"	"AD"
500	10.82	4.96	800	13.82	7.96
550	11.32	5.46	850	14.32	8.46
600	11.82	5.96			
650	12.32	6.46			
700	12.82	6.96			
750	13.32	7.46			

CAP DASH	"X0"
A	1.15
B	1.60
C	1.82

ORACLE
PART REV.
000

		TOLERANCES UNLESS SPECIFIED		 Regal Beloit America, Inc.		DRAWN JD 03/03/2015	
		DEC.	INCHES			CHK	
		.X	±.1			APPD	
		.XX	±.03			SCALE 3=8	
		.XXX	±.005			REF 032510	
		.XXXX	±.0005	MAT'L. GENERAL PURPOSE		FMF E113027.00	
		ANG	±1/2'	FINISH		PREV	
NO.	REVISION	BY & DATE	CHK	RFP	CAD FILE 607-0203	SIZE A	DRAWING NO. 607-0203
THIS DRAWING IN DESIGN AND DETAIL IS OUR PROPERTY AND MUST NOT BE USED EXCEPT IN CONNECTION WITH OUR WORK ALL RIGHTS OF DESIGN AND INVENTION ARE RESERVED THIS IS AN ELECTRONICALLY GENERATED DOCUMENT - DO NOT SCALE THIS PRINT				DIST			REV.