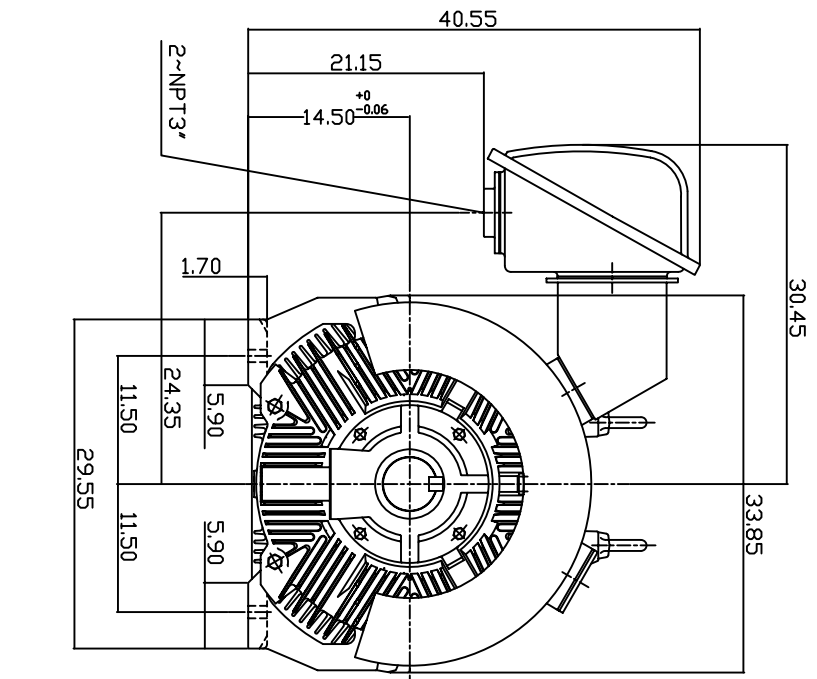
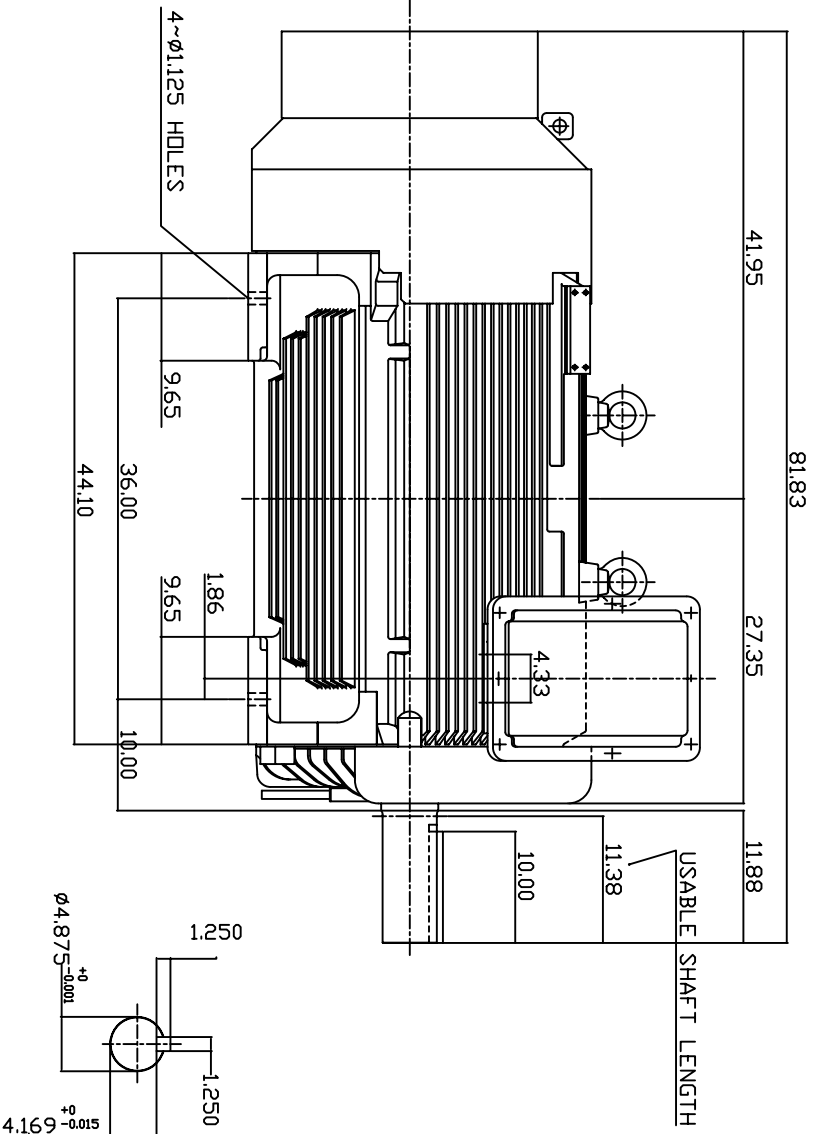


TYPE	OUTPUT		POLE	TIME RATING	VOLTAGE	Hz	SYN SPEED R.P.M
	HP.	KW.					
AEHE	700	522	4	CDNT.	380	50	1500

TOTALLY ENCLOSED FAN-COOLED TYPE. SQUIRREL-CAGE ROTOR



- NOTE:
1. DIMENSIONS IN INCH.
 2. FRAME NO. 5810C
 3. F CLASS INSULATION, S.F.1.0
 4. FOR BELT DRIVE
 5. BEARING SIZE: DRIVE END: NU326
NON-DRIVE END: 6322
 6. MOTOR APPROX. WEIGHT: 6800 LBS

TW-66C

DWN.	W.LLIN	MAR-04-2003
CHKD.	W.LLIN	MAR-04-2003
APPD.	C.WANG	MAR-04-2003

DATE	APRIL 26, 2004	OUTLINE DIMENSIONS
CATALOG NO.	E7004R-50	
3-PHASE INDUCTION MOTOR		DWG NO.
		3A040T186-3



REV: 00