

BALDOR® • RELIANCE 

Product Information Packet

ECP3582T

1HP,1160RPM,3PH,60HZ,145T,0526M,TEFC,F1

Part Detail							
Revision:	R	Status:	PRD/A	Change #:		Proprietary:	No
Type:	AC	Elec. Spec:	05WGX240	CD Diagram:	CD0005	Mfg Plant:	
Mech. Spec:	05F008	Layout:	05LYF008	Poles:	06	Created Date:	08-05-2012
Base:	RG	Eff. Date:	04-28-2017	Leads:	9#18		

Specs			
Catalog Number:	ECP3582T	Front Shaft Indicator:	None
Enclosure:	TEFC	Heater Indicator:	No Heater
Frame:	145T	Insulation Class:	F
Frame Material:	Iron	Inverter Code:	Inverter Ready
Output @ Frequency:	1.000 HP @ 60 HZ	KVA Code:	K
Synchronous Speed @ Frequency:	1200 RPM @ 60 HZ	Lifting Lugs:	Standard Lifting Lugs
Voltage @ Frequency:	208.0 V @ 60 HZ	Locked Bearing Indicator:	No Locked Bearing
	460.0 V @ 60 HZ	Motor Lead Quantity/Wire Size:	9 @ 18 AWG
	230.0 V @ 60 HZ	Motor Lead Exit:	Ko Box
XP Class and Group:	CLI GP A,B,C,D	Motor Lead Termination:	Flying Leads
XP Division:	Division II	Motor Type:	0526M
Agency Approvals:	CSA EEV	Mounting Arrangement:	F1
	UR	Power Factor:	66
	CSA	Product Family:	Super-E Chemical Processing
	CCSA US	Pulley End Bearing Type:	Ball
Auxillary Box:	No Auxillary Box	Pulley Face Code:	Standard
Auxillary Box Lead Termination:	None	Pulley Shaft Indicator:	Standard
Base Indicator:	Rigid	Rodent Screen:	None

Bearing Grease Type:	Polyrex EM (-20F +300F)	Shaft Extension Location:	Pulley End
Blower:	None	Shaft Ground Indicator:	No Shaft Grounding
Constant Torque Speed Range:	2	Shaft Rotation:	Reversible
Current @ Voltage:	3.400 A @ 230.0 V	Shaft Slinger Indicator:	Shaft Slinger
	3.400 A @ 208.0 V	Speed Code:	Single Speed
	1.700 A @ 460.0 V	Motor Standards:	NEMA
Design Code:	B	Starting Method:	Direct on line
Drip Cover:	No Drip Cover	Thermal Device - Bearing:	NONE (OLD)
Duty Rating:	CONT	Thermal Device - Winding:	None
Electrically Isolated Bearing:	Not Electrically Isolated	Vibration Sensor Indicator:	No Vibration Sensor
Feedback Device:	NO FEEDBACK	Winding Thermal 1:	None
Front Face Code:	Standard	Winding Thermal 2:	None
		XP Temp Code:	T4

Nameplate NP3258E				
CAT.NO.	ECP3582T			
SPEC.	05F008X240G1			
HP	1	TE		
VOLTS	208-230/460			
AMP	3.4/1.7			
RPM	1160			
FRAME	145T	HZ	60	
SER.F.	1.15	CODE	K	
RATING	40C AMB-CONT		DES	B
SN				
DE	6205	ODE	6205	
NEMA-NOM-EFF	82.5	PF	66	
G.MIN.EFF	80.0	CC	010A	
T. CODE	T4	T=	135	
		PH	3	
		CL	F	

Nameplate NP3261E	
SPEC.	05F008X240G1
D.E. BRG.	25BC02XP30X
O.D.E. BRG.	25BC02XP30X
GREASE	POLYREX EM
RPM MAX	1800
MAX. KVAR	0.59
BLANK	
INV. TYPE	PWM
T=	135
C HP FR	60
CT HZ FROM	2
VT HZ FROM	0-
C HP TO	90
CT HZ TO	60
VT HZ TO	60
HTR-VOLTS	
HTR-WATTS	
HTR-AMPS	
MAX. SPACE HEATER TEMP.	

Parts List		
Part Number	Description	Quantity
SA249003	SA 05F008X240G1	1.000 EA
RA235869	RA 05F008X240G1	1.000 EA
35FN3002A05SP	EXFN, PLASTIC, 6.376 OD, .638 ID	1.000 EA
HW3201A05	3/8-16 EYEBOLT	1.000 EA
06CB1000A02G	CONDUIT BOX, MACH GRAY	1.000 EA
RM1016	LEAD SEPARATOR GASKET - 305/306 C.P.MOTO	1.000 EA
51XW2520A12	SCREW, HEX SER SLT HD, ZN, 1/4-20 X .75	2.000 EA
11XW1032G06	10-32 X .38, TAPTITE II, HEX WSHR SLTD U	1.000 EA
HW3001B02	BRASS CUP WASHER W/GROUND SYMBOL TAB,	1.000 EA
10XN2520S06	1/4 20X3/8 HX HD CAP S.S.	2.000 EA
WD1000B16	T&B CX70TN TERMINAL	2.000 EA
35EP1102B03G	FREP TEFC 205 BRG,GRSR,RLF,.125 NPT DRAI	1.000 EA
HW4500A01	1641B(ALEMITE)400 UNIV, GREASE FITT	1.000 EA
HA4051A00	PLASTIC CAP FOR GREASE FITTING	1.000 EA
HW4500A17	317400 ALEMITE GREASE RELIEF	1.000 EA
HA4054	SHORT T-DRAIN FITTING, .125" N.P.T.	1.000 EA
HW5100A05	WVY WSHR F/205 & 304 BRGS	1.000 EA
35EP1102A67G	PUEP ENCL 205 BRG W/GRSR,REL F&.125 NPT D	1.000 EA
HW4500A01	1641B(ALEMITE)400 UNIV, GREASE FITT	1.000 EA
HA4051A00	PLASTIC CAP FOR GREASE FITTING	1.000 EA
HW4500A17	317400 ALEMITE GREASE RELIEF	1.000 EA
HA4054	SHORT T-DRAIN FITTING, .125" N.P.T.	1.000 EA
HA3100A37	THRUBOLT 10-32 X 8.500	4.000 EA
XY1032A02	10-32 HEX NUT DIRECTIONAL SERRATION	4.000 EA

Parts List (continued)		
Part Number	Description	Quantity
51XB1214A16	12-14X1.00 HXWSSLD SERTYB	1.000 EA
35FH1000A01G	35FH1000A01 W/GRAY FLUIDIZ	1.000 EA
WD4100A03	DE-750 HEYCO PLUG 62MP0750 MICRO PLASTIC	1.000 EA
10XN2520A18	1/4-20 X 1-1/8 HEX CAP SCREW.	3.000 EA
HW1001A25	LOCKWASHER 1/4, ZINC PLT .493 OD, .255 I	3.000 EA
06CB1502A01G	LIPPED CONDUIT BOX LID, MACH GRAY EPOXY	1.000 EA
06GS1003	GASKET, KOBX LID, 1/8" THICK BLACK NEOPR	1.000 EA
10XN2520A12	O1/4-20X 3/4 HEX HEAD CAP	2.000 EA
HW1001A25	LOCKWASHER 1/4, ZINC PLT .493 OD, .255 I	2.000 EA
HW4600B32SP	V-RING SLINGER 1.000 X 1.540 X .24 VITON	1.000 EA
HA1005A03SP	SLINGER, OD 1.750, ID .938, 205 BRG	1.000 EA
HW2501D13	KEY, 3/16 SQ X 1.375	1.000 EA
HA7000A01	KEY RETAINER 7/8" DIA SHAFT	1.000 EA
MJ5001A27	32220KN GRAY SEALER *MIN BUY 4 QTS=1GAL	0.001 QT
85XU0407S04	4X1/4 U DRIVE PIN STAINLESS	2.000 EA
LB1002N	LABEL,MARINE DUTY (ON ROLLS)	1.000 EA
LB1115N	LABEL,LIFTING DEVICE (ON ROLLS)	1.000 EA
MJ1000A02	GREASE, POLYREX EM EXXON (USe 4824-15A)	0.050 LB
MG1025N19	WILKOFAS, 778.50, RELIANCE BLUE-GREEN	0.022 GA
LC0005E01	CONN.DIA./WARNING LABEL (LC0005/LB1119N)	1.000 EA
LB1449	DIV-2/NEC WARNING LABEL	1.000 EA
NP3258E	SS CP SUPER-E DIV-2 UL CSA-C US EEV CC	1.000 EA
NP3261E	SS CP SUPER-E AUX DATA INFORMATION	1.000 EA
85XU0407S04	4X1/4 U DRIVE PIN STAINLESS	2.000 EA

Product Information Packet: ECP3582T - 1HP,1160RPM,3PH,60HZ,145T,0526M,TEFC,F1

36PA1000	PKG GRP, PRINT PK1016A06	1.000 EA
MN416A01	TAG-INSTAL-MAINT no wire (1200/bx) 5/18	1.000 EA

Accessories		
Part Number	Description	Multiplier
35-1300	C FACE KIT	A8

AC Induction Motor Performance Data

Record # 47146 - Typical performance - not guaranteed values

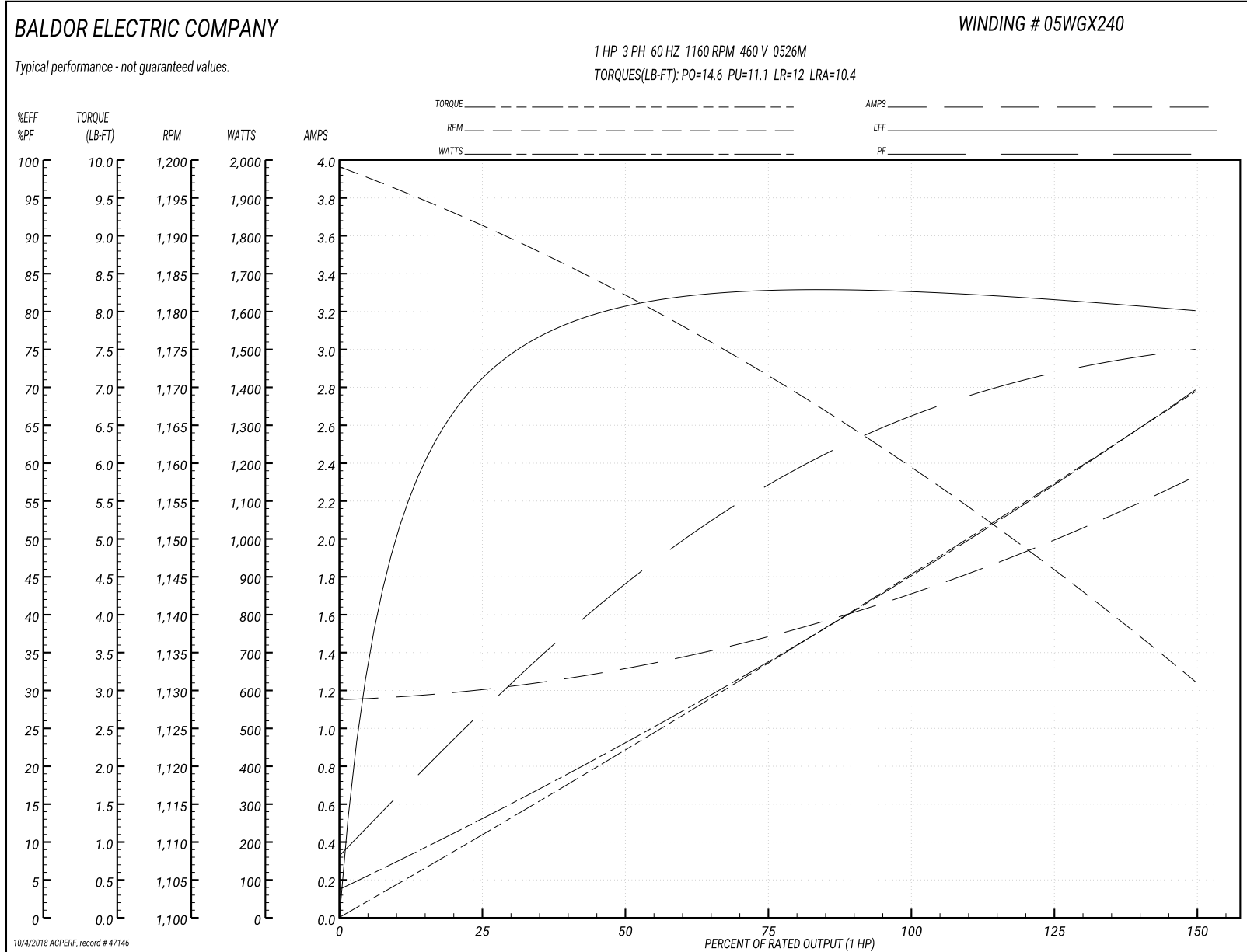
Winding: 05WGX240-R009	Type: 0526M	Enclosure: TEFC
-------------------------------	--------------------	------------------------

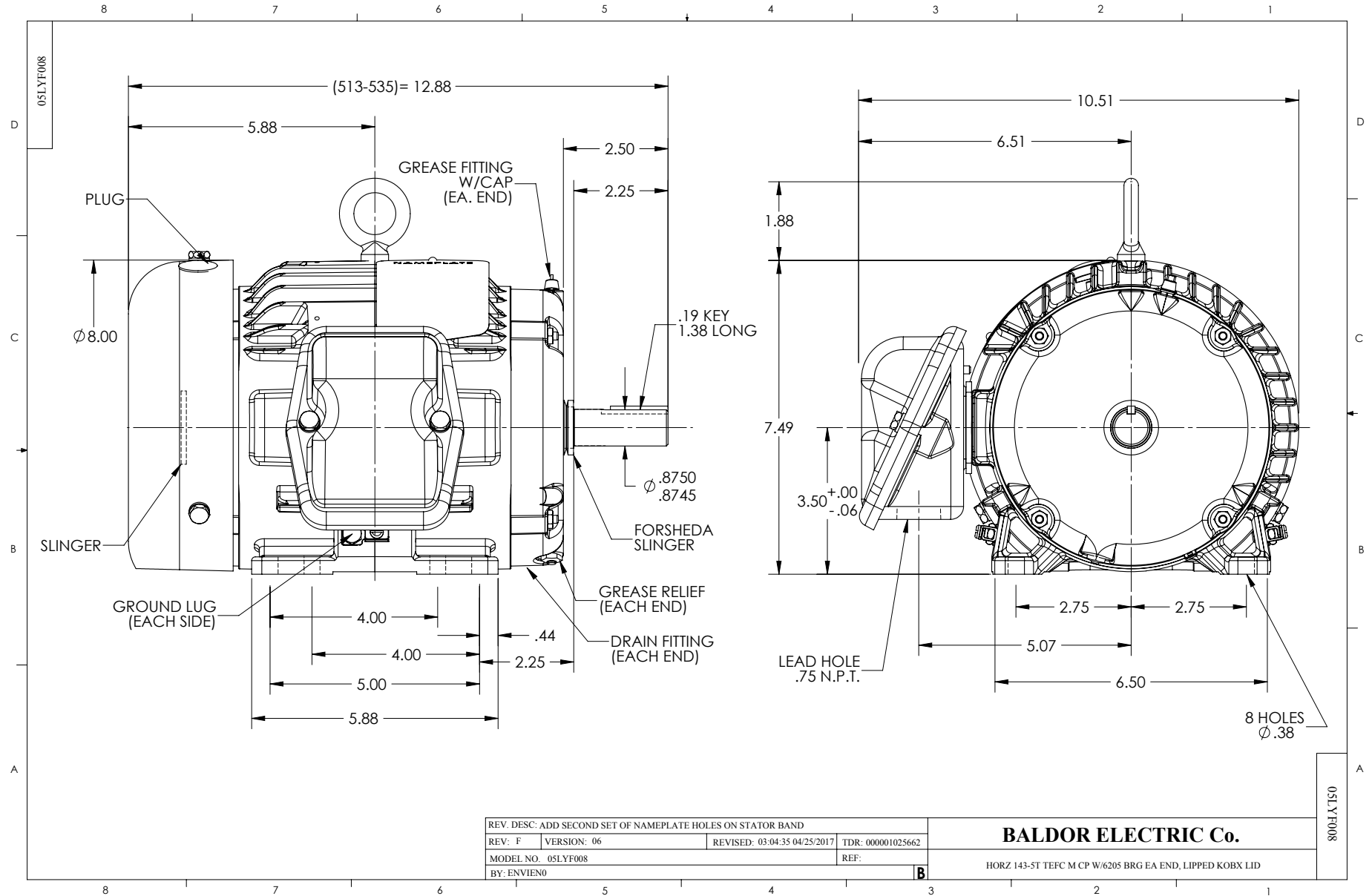
Nameplate Data				460 V, 60 Hz: High Voltage Connection	
Rated Output (HP)	1			Full Load Torque	4.53 LB-FT
Volts	208-230/460			Start Configuration	direct on line
Full Load Amps	3.4/1.7			Breakdown Torque	14.6 LB-FT
R.P.M.	1160			Pull-up Torque	11.1 LB-FT
Hz	60	Phase	3	Locked-rotor Torque	12 LB-FT
NEMA Design Code	B	KVA Code	K	Starting Current	10.4 A
Service Factor (S.F.)	1.15			No-load Current	1.16 A
NEMA Nom. Eff.	82.5	Power Factor	66	Line-line Res. @ 25°C	17.6 Ω
Rating - Duty	40C AMB-CONT			Temp. Rise @ Rated Load	35°C
S.F. Amps				Temp. Rise @ S.F. Load	41°C
				Rotor inertia	0.155 LB-FT ²

Load Characteristics 460 V, 60 Hz, 1 HP

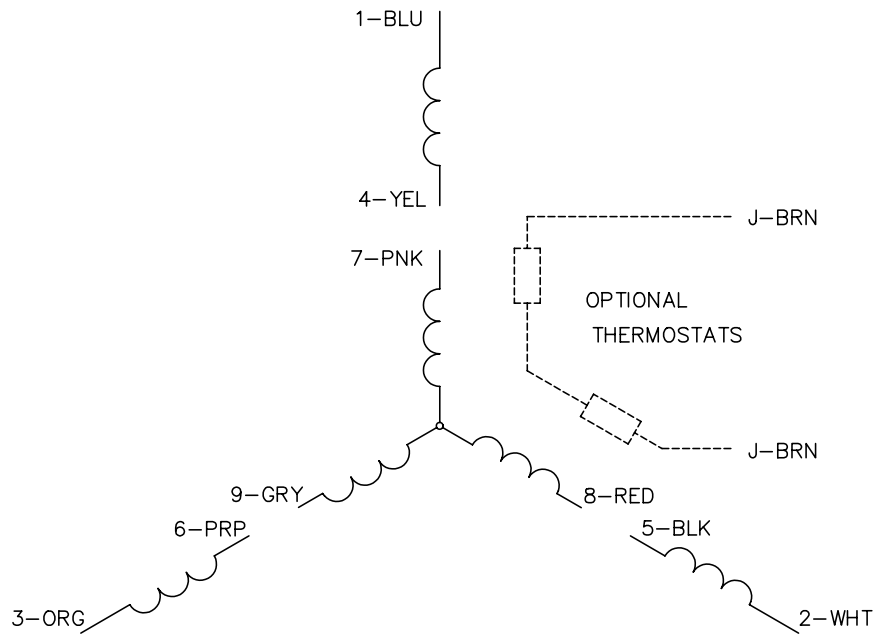
% of Rated Load	25	50	75	100	125	150	S.F.
Power Factor	27	45	57	66	72	75	70
Efficiency	70.2	80	82.7	83.1	81.8	80	82.3
Speed	1192	1182	1171	1160	1146	1131	1152
Line amperes	1.19	1.31	1.49	1.72	1.99	2.33	1.88

Performance Graph at 460V, 60Hz, 1.0HP Typical performance - Not guaranteed values

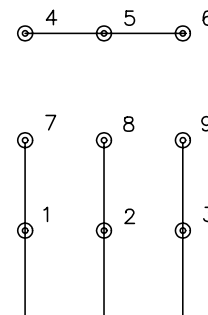




CD0005

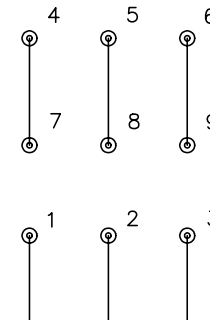


LOW VOLTAGE
(2Y)



LINE

HIGH VOLTAGE
(1Y)



LINE

NOTES:

1. INTERCHANGE ANY TWO LINE LEADS TO REVERSE ROTATION.
2. OPTIONAL THERMOSTATS ARE PROVIDED WHEN SPECIFIED.
3. ACTUAL NUMBER OF INTERNAL PARALLEL CIRCUITS MAY BE A MULTIPLE OF THOSE SHOWN ABOVE.
4. LEAD COLORS ARE OPTIONAL. LEADS MUST ALWAYS BE NUMBERED AS SHOWN.

REV. DESC: REVISE TO SHOW OPTIONAL COLORS			
REV. LTR: E	BY: JLP	REVISED: 01/19/99 10:15	TDR: 0171435
900000		FILE: AAA00005140	MDL: -
		MTL: -	

BALDOR ELECTRIC Co.

3PH, DV, 9 LEADS

CD0005