

BALDOR® • RELIANCE 

Product Information Packet

ECP3668T-4

1.5HP,860RPM,3PH,60HZ,184T,0634M,TEFC,F1

Part Detail							
Revision:	T	Status:	PRD/A	Change #:		Proprietary:	No
Type:	AC	Elec. Spec:	06WGW492	CD Diagram:	CD0006	Mfg Plant:	
Mech. Spec:	06H483	Layout:	06LYH483	Poles:	08	Created Date:	01-04-2011
Base:	RG	Eff. Date:	11-17-2017	Leads:	3#16		

Specs			
Catalog Number:	ECP3668T-4	Insulation Class:	F
Enclosure:	TEFC	Inverter Code:	Not Inverter
Frame:	184T	KVA Code:	J
Frame Material:	Iron	Lifting Lugs:	Standard Lifting Lugs
Output @ Frequency:	1.500 HP @ 60 HZ	Locked Bearing Indicator:	No Locked Bearing
Synchronous Speed @ Frequency:	900 RPM @ 60 HZ	Motor Lead Quantity/Wire Size:	3 @ 16 AWG
Voltage @ Frequency:	460.0 V @ 60 HZ	Motor Lead Exit:	Ko Box
XP Class and Group:	None	Motor Lead Termination:	Flying Leads
XP Division:	Not Applicable	Motor Type:	0634M
Agency Approvals:	CSA EEV	Mounting Arrangement:	F1
	UR	Power Factor:	54
	CSA	Product Family:	Chemical Processing (Not DC)
	CCSA US	Pulley End Bearing Type:	Ball
Auxillary Box:	No Auxillary Box	Pulley Face Code:	Standard
Auxillary Box Lead Termination:	None	Pulley Shaft Indicator:	Standard
Base Indicator:	Rigid	Rodent Screen:	None
Bearing Grease Type:	Polyrex EM (-20F +300F)	Shaft Extension Location:	Pulley End
Blower:	None	Shaft Ground Indicator:	No Shaft Grounding

Constant Torque Speed Range:	2.7	Shaft Rotation:	Reversible
Current @ Voltage:	3.200 A @ 460.0 V	Shaft Slinger Indicator:	Shaft Slinger
Design Code:	B	Speed Code:	Single Speed
Drip Cover:	No Drip Cover	Motor Standards:	NEMA
Duty Rating:	CONT	Starting Method:	Direct on line
Electrically Isolated Bearing:	Not Electrically Isolated	Thermal Device - Bearing:	NONE (OLD)
Feedback Device:	NO FEEDBACK	Thermal Device - Winding:	None
Front Face Code:	Standard	Vibration Sensor Indicator:	No Vibration Sensor
Front Shaft Indicator:	None	Winding Thermal 1:	None
Heater Indicator:	No Heater	Winding Thermal 2:	None
		XP Temp Code:	T3C

Nameplate NP3281E

CAT.NO.	ECP3668T-4			
SPEC.	06H483W492G1			
HP	1.5	TE		
VOLTS	460			
AMP	3.2			
RPM	860			
FRAME	184T	HZ	60	
SER.F.	1.15	CODE	J	
RATING	40C AMB-CONT		DES	B
SN				
DE	6206	ODE	6206	
NEMA-NOM-EFF	80	PF	54	
G.MIN.EFF	77.0	CC	010A	
T. CODE	T3C	T=	160	

PH 3
CL F

Nameplate NP3261E	
SPEC.	06H483W492G1
D.E. BRG.	30BC02XP30X
O.D.E. BRG.	30BC02XP30X
GREASE	POLYREX EM
RPM MAX	1350
MAX. KVAR	1.5
BLANK	
INV. TYPE	PWM
T=	160
C HP FR	60
CT HZ FROM	2.7
VT HZ FROM	0-
C HP TO	90
CT HZ TO	60
VT HZ TO	60
HTR-VOLTS	
HTR-WATTS	
HTR-AMPS	
MAX. SPACE HEATER TEMP.	

Parts List		
Part Number	Description	Quantity
SA214807	SA 06H483W492G1	1.000 EA
RA202009	RA 06H483W492G1	1.000 EA
HW3201A05	3/8-16 EYEBOLT	1.000 EA
06CB1000A02G	CONDUIT BOX, MACH GRAY	1.000 EA
RM1016	LEAD SEPARATOR GASKET - 305/306 C.P.MOTO	1.000 EA
51XF2520A16	SCREW,HEX SER SLT HD,ZN 1/4-20X1.00LG TD	2.000 EA
11XW1032G06	10-32 X .38, TAPTITE II, HEX WSHR SLTD U	1.000 EA
HW3001B02	BRASS CUP WASHER W/GROUND SYMBOL TAB,	1.000 EA
10XN2520S06	1/4 20X3/8 HX HD CAP S.S.	2.000 EA
WD1000B16	T&B CX70TN TERMINAL	1.000 EA
36FE1100B72G	FREP ASSEMBLY FOR ROUTING PURPOSES	1.000 EA
HW4500A17	317400 ALEMITE GREASE RELIEF	1.000 EA
HW4500A01	1641B(ALEMITE)400 UNIV, GREASE FITT	1.000 EA
HA4051A00	PLASTIC CAP FOR GREASE FITTING	1.000 EA
HA4054	SHORT T-DRAIN FITTING, .125" N.P.T.	1.000 EA
HW5100A06	W2420-025 WVY WSHR (WB)	1.000 EA
36PE1100A29G	PUEP ASSEMBLY FOR ROUTING PURPOSES	1.000 EA
HW4500A01	1641B(ALEMITE)400 UNIV, GREASE FITT	1.000 EA
HA4051A00	PLASTIC CAP FOR GREASE FITTING	1.000 EA
HW4500A17	317400 ALEMITE GREASE RELIEF	1.000 EA
HA4054	SHORT T-DRAIN FITTING, .125" N.P.T.	1.000 EA
HA3101A34	THRUBOLT- 1/4-20 X 10.375	4.000 EA
XY2520A12	1/4-20 HEX NUT, DIRECTIONAL SERRATIONS	4.000 EA
06FH1004A01G	FAN HOUSING MACH, W/GRAY EPOXY	1.000 EA

Parts List (continued)		
Part Number	Description	Quantity
WD4100A02	DP-1000 HEYCO PLUG OR 62MP1000 MICRO PL	1.000 EA
10XN2520A24	1/4-20X 1 1/2 HEX HD X	3.000 EA
06CB1502A01G	LIPPED CONDUIT BOX LID, MACH GRAY EPOXY	1.000 EA
06GS1003	GASKET, KOBX LID, 1/8" THICK BLACK NEOPR	1.000 EA
10XN2520A12	O1/4-20X 3/4 HEX HEAD CAP	2.000 EA
HW1001A25	LOCKWASHER 1/4, ZINC PLT .493 OD, .255 I	2.000 EA
HA1005A22	SLINGER, OD 2.00, ID 1.14, 206 BRG, GM	1.000 EA
HW4600B36SP	V-RING SLINGER 1.188 X 1.690 X .24 VITON	1.000 EA
HW2501E16	KEY, 1/4 SQ X 1.750	1.000 EA
HA7000A02	KEY RETAINER RING, 1 1/8 DIA, 1 3/8 DIA	1.000 EA
MJ5001A27	32220KN GRAY SEALER *MIN BUY 4 QTS=1GAL	0.001 QT
85XU0407S04	4X1/4 U DRIVE PIN STAINLESS	2.000 EA
LB1115N	LABEL,LIFTING DEVICE (ON ROLLS)	1.000 EA
LB1002N	LABEL,MARINE DUTY (ON ROLLS)	1.000 EA
MJ1000A02	GREASE, POLYREX EM EXXON (USe 4824-15A)	0.050 LB
35FN3002A04SP	EXFN, PLASTIC, 6.376 OD, .906 ID W/KEY	1.000 EA
MG1025N19	WILKOFASST, 778.50, RELIANCE BLUE-GREEN	0.028 GA
LB1119N	WARNING LABEL	1.000 EA
LB1449	DIV-2/NEC WARNING LABEL	1.000 EA
LC0006	CONNECTION LABEL	1.000 EA
NP3281E	SS CP SUPER-E DIV-2 UL CSA-C US EEV CC	1.000 EA
NP3261E	SS CP SUPER-E AUX DATA INFORMATION	1.000 EA
85XU0407S04	4X1/4 U DRIVE PIN STAINLESS	2.000 EA
36PA1001	PKG GRP, PRINT PK1017A06	1.000 EA

MN416A01	TAG-INSTAL-MAINT no wire (1200/bx) 5/18	1.000 EA
----------	---	----------

AC Induction Motor Performance Data

Record # 47136 - Typical performance - not guaranteed values

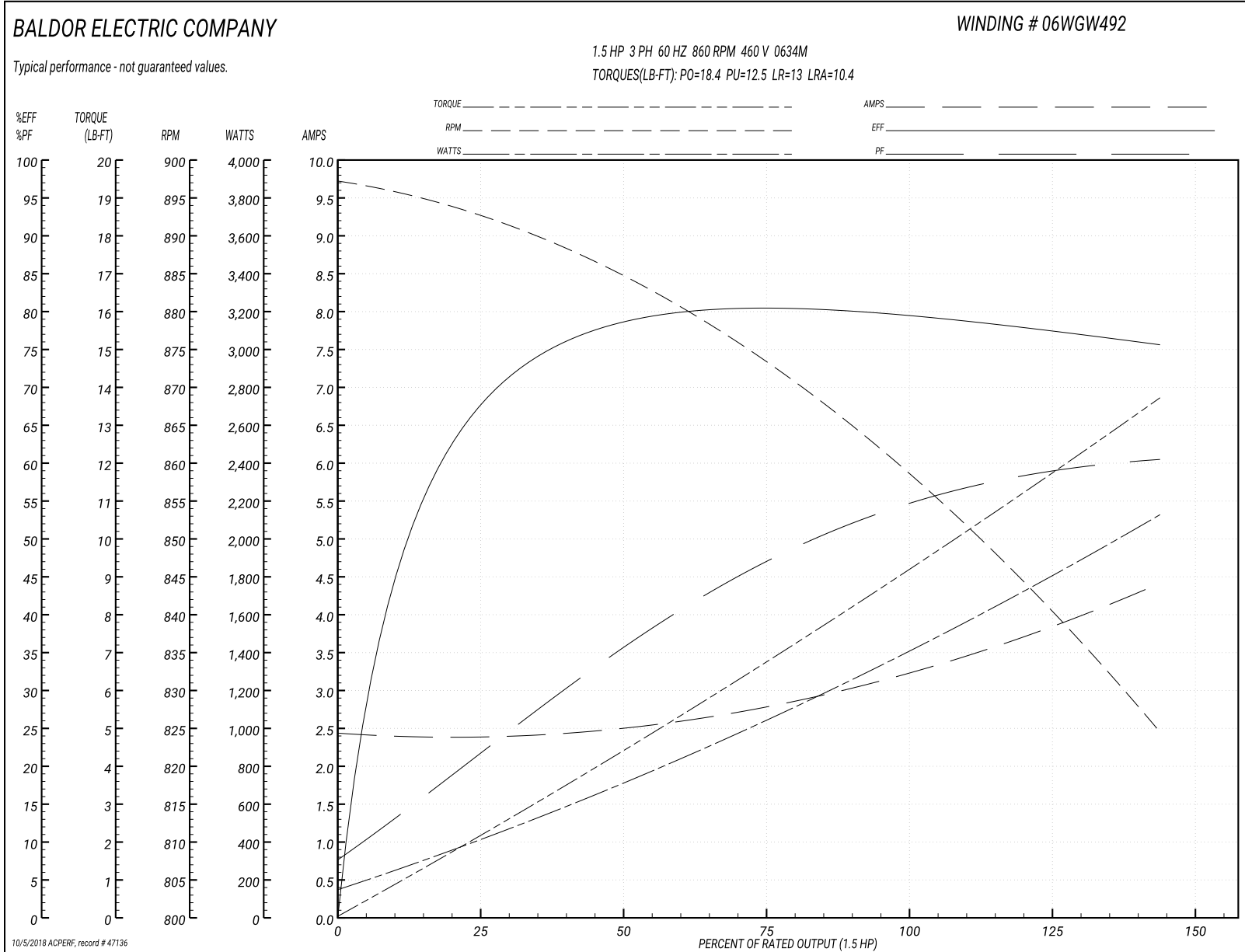
Winding: 06WGW492-R011	Type: 0634M	Enclosure: TEFC
-------------------------------	--------------------	------------------------

Nameplate Data				460 V, 60 Hz: Single Voltage Motor	
Rated Output (HP)	1.5			Full Load Torque	9.2 LB-FT
Volts	460			Start Configuration	direct on line
Full Load Amps	3.2			Breakdown Torque	18.4 LB-FT
R.P.M.	860			Pull-up Torque	12.5 LB-FT
Hz	60	Phase	3	Locked-rotor Torque	13 LB-FT
NEMA Design Code	B	KVA Code	J	Starting Current	10.4 A
Service Factor (S.F.)	1.15			No-load Current	2.4 A
NEMA Nom. Eff.	80	Power Factor	54	Line-line Res. @ 25°C	10.3 Ω
Rating - Duty	40C AMB-CONT			Temp. Rise @ Rated Load	51°C
S.F. Amps				Temp. Rise @ S.F. Load	60°C
				Locked-rotor Power Factor	46.3
				Rotor inertia	0.316 LB-FT ²

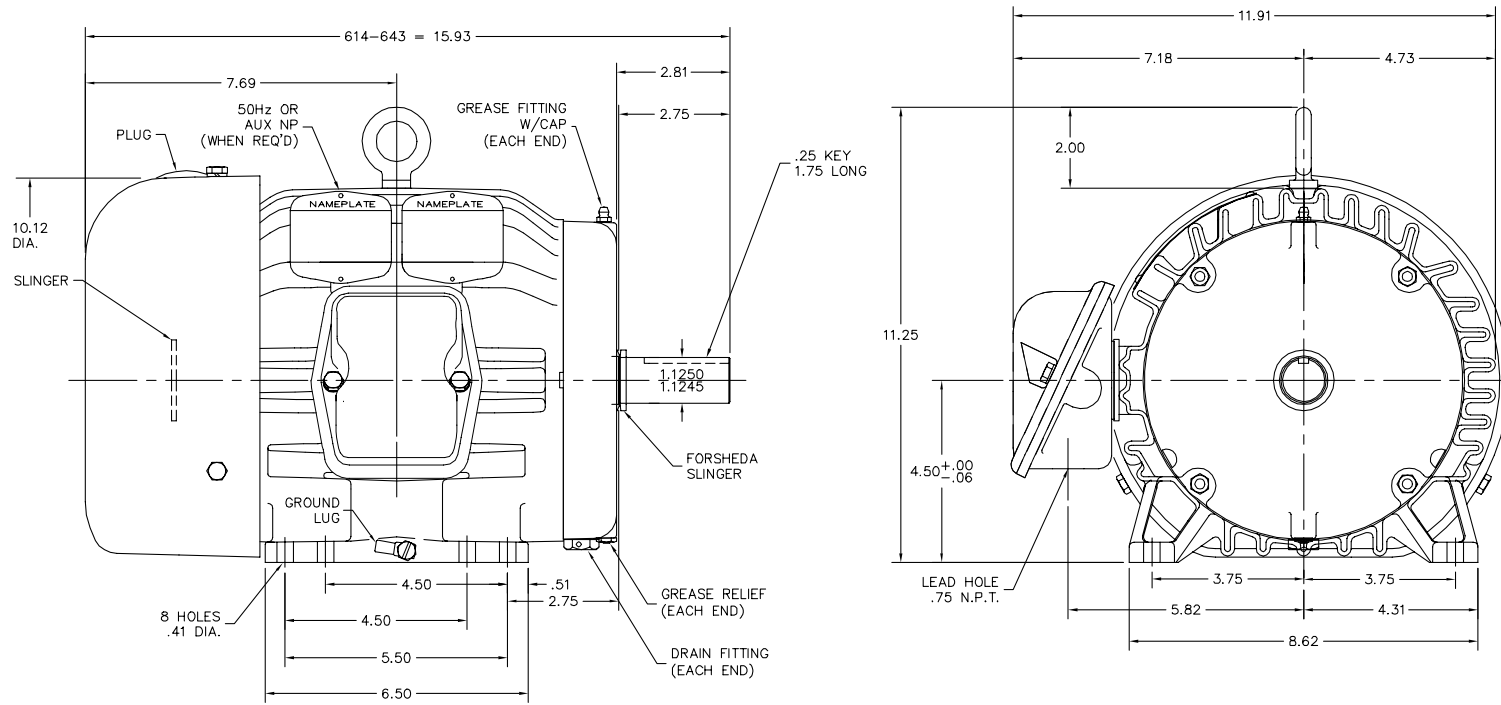
Load Characteristics 460 V, 60 Hz, 1.5 HP

% of Rated Load	25	50	75	100	125	150	S.F.
Power Factor	23	36	48	55	60	60	59
Efficiency	66.3	77.3	80.4	80.3	78.7	74.8	81.4
Speed	891	882	872	860	846	821	865
Line amperes	2.4	2.6	2.8	3.2	3.7	4.5	3.38

Performance Graph at 460V, 60Hz, 1.5HP Typical performance - Not guaranteed values



06LYH483



06LYH483

CUSTOMER IS RESPONSIBLE FOR DETERMINING THAT BALDOR'S PRODUCT WILL PERFORM SUITABLY IN THE INTENDED APPLICATION.

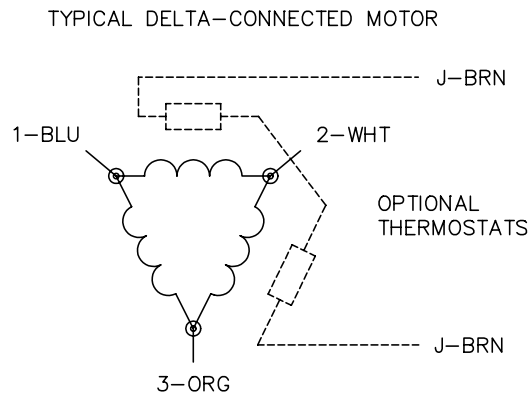
REV. DESC: UPDATE GRAPHICS TO 2 NP'S		
REV. LTR: D	VERSION: 04	TDR: 000001062694
FILE: \AAA\00139\049	REVISED: 03:44:36 03/01/2018	BY: ENBRAMO
MTL: -		

BALDOR

STD HORZ 182-4T TEFC 06M CP W/ 6206 BRGS, LIPPED LID

SH 1 of 1

CD0006



NOTES:

1. THREE LEAD MOTOR MAY BE EITHER WYE CONNECTED OR DELTA CONNECTED.
2. INTERCHANGE ANY TWO LINE LEADS TO REVERSE ROTATION.
3. OPTIONAL THERMOSTATS ARE PROVIDED WHEN SPECIFIED.
4. ACTUAL NUMBER OF INTERNAL PARALLEL CIRCUITS MAY VARY.
5. LEAD COLORS ARE OPTIONAL. LEADS MUST BE NUMBERED AS SHOWN.

REV. DESC: REVISE TO SHOW OPTIONAL COLORS			
REV. LTR: D	BY: JLP	REVISED: 01/21/99 4:02	TDR: 0171435
9000D		FILE: AAA00005141	MDL: -
		MTL: -	

BALDOR ELECTRIC Co.

3PH, SV, 3 LEADS, WYE OR DELTA CONNECTED

CD0006