

**BALDOR® • RELIANCE** 

**Product Information Packet**

**ECP4412T**

**125HP,3570RPM,3PH,60HZ,444TS,A4468M,TEFC**

Part Detail							
Revision:	Q	Status:	PRD/A	Change #:		Proprietary:	No
Type:	AC	Elec. Spec:	A44WG3722	CD Diagram:	416820-002	Mfg Plant:	
Mech. Spec:		Layout:	617427-004	Poles:	02	Created Date:	08-16-2012
Base:		Eff. Date:	10-16-2017	Leads:	3#1/0,6#2		

Specs			
Catalog Number:	ECP4412T	Heater Indicator:	No Heater
Enclosure:	TEFC	Insulation Class:	F
Frame:	444TS	Inverter Code:	Inverter Ready
Frame Material:	Iron	KVA Code:	F
Output @ Frequency:	125.000 HP @ 60 HZ	Lifting Lugs:	No Lifting Lugs
Synchronous Speed @ Frequency:	3600 RPM @ 60 HZ	Motor Lead Quantity/Wire Size:	3 @ 1/0 AWG
Voltage @ Frequency:	230.0 V @ 60 HZ	Motor Type:	A4468M
	460.0 V @ 60 HZ	Mounting Arrangement:	F1
XP Class and Group:	None	Power Factor:	89
XP Division:	Division II	Product Family:	Other
Agency Approvals:	CSA EEV	Pulley End Bearing Type:	Ball
Auxillary Box:	No Auxillary Box	Pulley Face Code:	Standard
Base Indicator:	Rigid	Shaft Ground Indicator:	No Shaft Grounding
Bearing Grease Type:	Polyrex EM (-20F +300F)	Shaft Rotation:	Reversible
Constant Torque Speed Range:	15-60	Shaft Slinger Indicator:	Shaft Slinger
Current @ Voltage:	138.000 A @ 460.0 V	Speed Code:	Single Speed
	276.000 A @ 230.0 V	Motor Standards:	NEMA
Design Code:	B	Starting Method:	Direct on line

<b>Drip Cover:</b>	No Drip Cover	<b>Thermal Device - Bearing:</b>	NONE (OLD)
<b>Duty Rating:</b>	CONT	<b>Thermal Device - Winding:</b>	None
<b>Feedback Device:</b>	NO FEEDBACK	<b>XP Temp Code:</b>	T3

## Nameplate NP3238

CAT NO	ECP4412T	SPEC NO.	P44G3942	DESIGN	B				
HP	125	AMPS	276/138	VOLTS	230/460				
FRAME	444TS	RPM	3570	HZ	60	AMB	40	SF	1.15
D.E. BRG.DATA	6313	O.D.E. BRG.DATA	6313	PH	3	DUTY	CONT	INSUL.CLASS	F
D.E. BRG.	65BC03J30X	TYPE	P	ENCL	TEFC	CODE	F		
O.D.E. BRG.	65BC03J30X	POWER FACTOR	89	NEMA NOM EFFICIENCY	95				
3/4 LOAD EFF.	94.9	MAX CORR KVAR	18.0	GUARANTEED EFFICIENCY	94.1				
TEMP CODE	T3	TEMP =	200						
CHP HZ	60-75	CT HZ	15-60	VT HZ	0-60				
INVERTER-TEMP-CODE	T3	MOTOR WEIGHT							
SER.NO.									

Parts List		
Part Number	Description	Quantity
SA249712	SA P44G3942	1.000 EA
RA236572	RA P44G3942	1.000 EA
421948032	LABEL, MYLAR	1.000 EA
000613006PU	N/P (RELEASE QTY 10,000) UL CSA LABEL	1.000 EA
NP3238	SS CP XEX SEVERE DUTY MAIN NP	1.000 EA
000692000FF	N/P	1.000 EA
000692000VD	LABEL WARNING	1.000 EA
089490097A	BRKT 089490102WCA	1.000 EA
415072001B	CLAMP	1.000 EA
083199082RA	G28 SHORT FAN COVER W/BAFFLE ASSEMBLY	1.000 EA
034180014DA	KEY 1/4X1/4X1-3/4 L	1.000 EA
034530056AB	1/8 X 7 PP NIPPLE	1.000 EA
702676001D	FAN 250-440	1.000 EA
004824015A	GREASE POLYREX EM	0.540 LB
032018020FK	HHCS 3/4-10X2-1/2 PLTD.	4.000 EA
032018008CK	HHCS 3/8-16X1L PLATED	4.000 EA
032018022CK	HHCS 3/8-16X2-3/4 PLTD	3.000 EA
032018022CK	HHCS 3/8-16X2-3/4 PLTD	3.000 EA
415096002A	CPLG 1/8 HEX TYPE	1.000 EA
410700004F	WSHR	1.000 EA
035000001G	GREASE RELIEF FITTING, ALEMITE 317400	1.000 EA
034017014AB	LCKW 3/8 STD. PLATED	4.000 EA
034530072AB	P/NIP 1/8X9"L Threaded both ends	1.000 EA
034690005AB	PPLG 3/4 PLATED	2.000 EA

Parts List (continued)		
Part Number	Description	Quantity
034631002AB	BUSH 1/4 TO 1/8 PLTD.	1.000 EA
034530072BB	PIPE NIPPLE,DE - 440-BS	1.000 EA
034631002AB	BUSH 1/4 TO 1/8 PLTD.	1.000 EA
034530056BB	P/NIP 1/4X7 SCHED 40	1.000 EA
702623012A	THERMAL BARRIER, G28	1.000 EA
032018004BK	HHCS 5/16-18X1/2 PLATED	3.000 EA
034017013AB	LCKW 5/16 STD. PLATED	3.000 EA
089490097A	BRKT 089490102WCA	1.000 EA
415915007K	GASK, 26" LAC	1.000 EA
032018020FK	HHCS 3/4-10X2-1/2 PLTD.	4.000 EA
415045002E	SLGR	1.000 EA
415096002A	CPLG 1/8 HEX TYPE	1.000 EA
035000001G	GREASE RELIEF FITTING, ALEMITE 317400	1.000 EA
032018006BK	HHCS 5/16-18X3/4 PLATED	3.000 EA
076863000C	+CBCST BLKT - 440	1.000 EA
406056007A	GASKET, 440	1.000 EA
076864000A	CBCST BLKT - 440	1.000 EA
067053001C	GASK 440	1.000 EA
418150003A	GREASE FITTING CAP	1.000 EA
032018008BK	HHCS 5/16-18X1L PLATED	4.000 EA
032018008DK	HHCS 1/2-13X1 PLATED	4.000 EA
032620016LA	SOCKET SET SCREW-449	3.000 EA
035000001A	ALFTG 1/8" 1610-BL	1.000 EA
035000001A	ALFTG 1/8" 1610-BL	1.000 EA

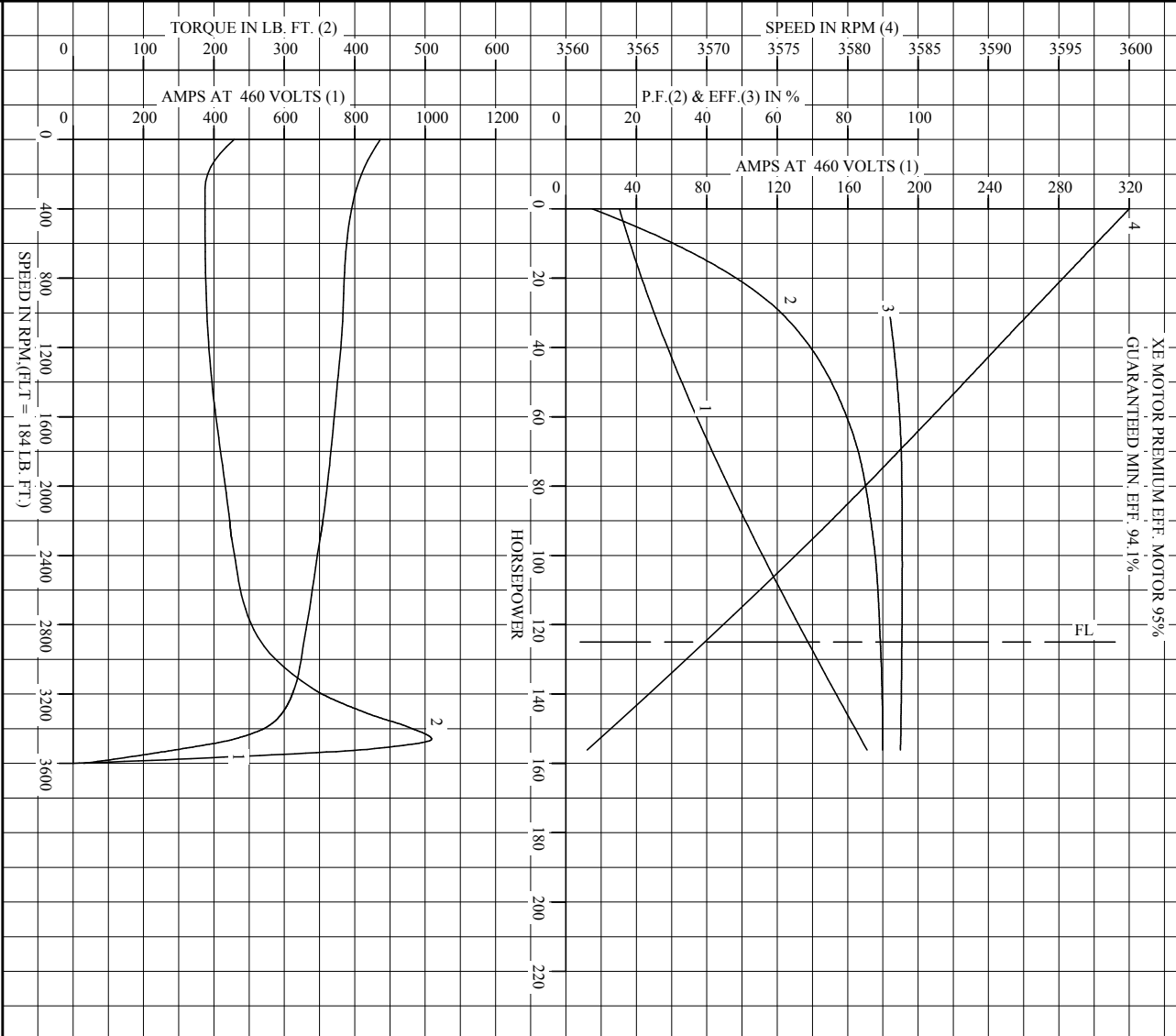
Product Information Packet: ECP4412T - 125HP,3570RPM,3PH,60HZ,444TS,A4468M,TEFC

418150003A	GREASE FITTING CAP	1.000 EA
415000103D	T/LUG #4AWG-1/0AWG W/HOLE FOR .250 BOLT	1.000 EA
406099000A	PLUG - FAN COVER 320-440	1.000 EA
033512004LB	HHTTS 1/4-20X1/2 PLTD.	1.000 EA
MG1025N19	WILKO 778.50 BLUE GREEN - 55 GAL DRUMS	0.250 GA
033775004EA	DRSCR #6-1/4 304 S.S.	2.000 EA
034180024HA	KEY 5/8X5/8X3 L	1.000 EA
PK5004A09	BASE 48 X 39-1/4 STACK 2 X 4 RUUNER	1.000 EA
LB1449	DIV-2/NEC WARNING LABEL	1.000 EA
412118006A	DRAIN	2.000 EA

<b>Accessories</b>		
<b>Part Number</b>	<b>Description</b>	<b>Multiplier</b>
089490104B	BRKT,DE 089490103WCA, C-Face	P1
089490108A	D-FLANGE EP MACHINING, G28 W/6313 BRG	P1



REL. S.O.	RPM 3570	S.F. 1.15	ROTOR 418143-8-RE
FRAME 444T	VOLTS 230/460	NEMA DESIGN B	TEST S.O. CALCULATED DATA
HP 125	AMPS 276/138	CODE LETTER F	TEST DATE ---
TYPE P	DUTY CONT	ENCLOSURE TEFC	STATOR RES. @ 25 °C .00858/.0343
PHASE/HERTZ 3/60	AMB °C/INSUL 40/F	E/S -	OHMS (BETWEEN LINES)



AMPERES SHOWN FOR 460 VOLT CONNECTION, IF OTHER VOLTAGE CONNECTIONS ARE AVAILABLE, THE AMPERES WILL VARY INVERSELY WITH THE RATED VOLTAGE.

<p><b>BALDOR</b> A MEMBER OF THE ABB GROUP</p>	DR. BY CE JAMISON	<p><b>A-C MOTOR</b> <b>PERFORMANCE</b> <b>CURVES</b></p> <p>A44WG3722-R001 ISSUE DATE 02/15/13</p>
	CK. BY JP TSO	
	APP. BY JP TSO	
	DATE 08/10/11	


REL. S.O.	FRAME	HP	TYPE	PHASE/ HERTZ	RPM	VOLTS
	444T	125	P	3/60	3570	230/460
AMPS	DUTY	AMB °C/ INSUL.	S.F.	NEMA DESIGN	CODE LETTER	ENCL.
276/138	CONT	40/F	1.15	B	F	TEFC
E/S	ROTOR	TEST S.O.	TEST DATE	STATOR RES. @25 °C OHMS (BETWEEN LINES)		
-	418143-8-RE	---	---	.00858/.0343		

PERFORMANCE					
LOAD	HP	AMPERES	RPM	POWER FACTOR %	EFFICIENCY %
NO LOAD	0	30.4	3600	7.45	0
1/4	31.3	51.0	3593	62.3	92.1
2/4	62.5	76.5	3585	80.7	94.9
3/4	93.8	106	3578	87.1	95.5
4/4	125	137	3570	89.3	95.4
5/4	156	171	3562	89.9	95.0

SPEED TORQUE					
	RPM	TORQUE % FULL LOAD	TORQUE LB.-FT.	AMPERES	
LOCKED ROTOR	0	125	229	873	
PULL UP	288	102	187	804	
BREAKDOWN	3461	277	509	456	
FULL LOAD	3570	100	184	137	

AMPERES SHOWN FOR 460. VOLT CONNECTION. IF OTHER VOLTAGE CONNECTIONS ARE AVAILABLE, THE AMPERES WILL VARY INVERSELY WITH THE RATED VOLTAGE

REMARKS: CALCULATED DATA  
 XE MOTOR PREMIUM EFF. MOTOR 95%  
 GUARANTEED MIN. EFF. 94.1%

 A MEMBER OF THE ABB GROUP	DR. BY C.E. JAMISON CK. BY J.P. TSAO APP. BY J.P. TSAO DATE 08/10/11	A-C MOTOR PERFORMANCE DATA A44WG3722-R001 ISSUE DATE 02/15/13
--	---	--

617427-004

### DUTY MASTER ALTERNATING CURRENT MOTORS

SQUIRREL-CAGE INDUCTION

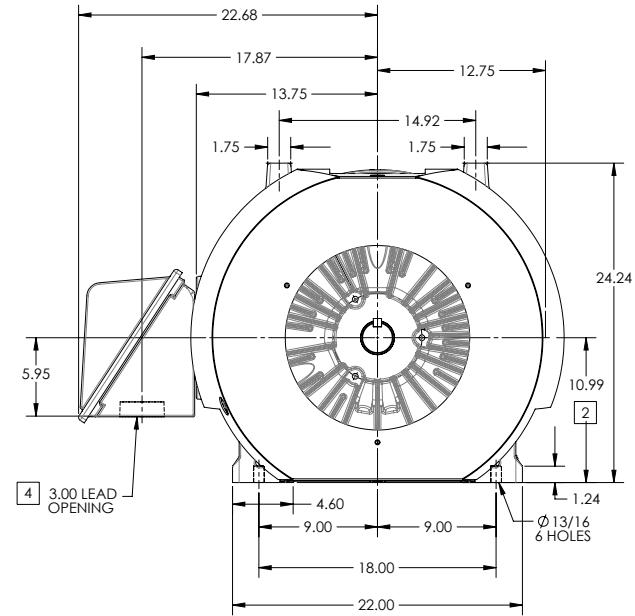
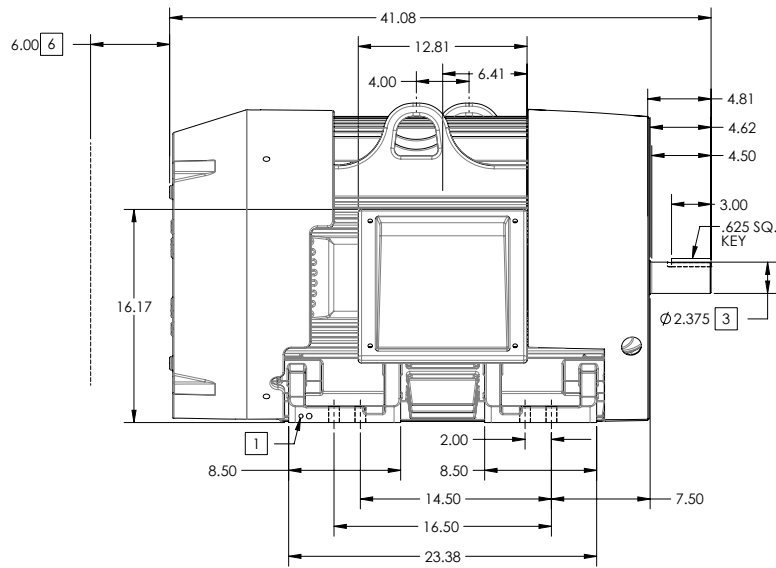
ENCLOSURE: TOTALLY ENCLOSED

FRAME G445TS ABOVE NEMA RATINGS

COOLING: FAN COOLED

MOUNTING: FOOT

INCLUDES 444TS FRAME MOUNTING HOLES



1. GROUND HOLES QTY 1 1/2-13 TAP; QTY 1 3/8-16 TAP
2. VARIES +.00,-.06
3. VARIES +.00,-.001
4. ON STANDARD MOTORS THIS IS CONDUIT SIZE. ON XT AND CORROSION PROOF MOTOR THIS IS PIPE TAP.
5. MOTOR WEIGHTS MAY VARY BY 15% DEPENDING ON RATING.
6. OBSTRUCTION MUST NO ENCROACH ON AIR INLET

CONDUIT BOX LOCATED ON OPPOSITE SIDE WHEN F-2.  
IF MOUNTING CLEARANCE DETAILS ARE REQUIRED, CONSULT FACTORY.  
MAXIMUM PERMISSIBLE SHAFT RUNOUT WHEN MEASURED AT END OF STANDARD SHAFT EXTENSION IS .003" T.I.R. TO 5 INCH DIA.

**[5] WEIGHT (LBS): 2100**

DRIVE END AIR DEFLECTOR IS ONLY INCLUDED WHEN NECESSARY.

DIMENSIONS ARE IN INCHES; SEE SHEET 2 FOR DIMENSIONS IN MILLIMETERS

CUSTOMER IS RESPONSIBLE FOR DETERMINING THAT MOTOR PERFORMANCE IS SUITABLE IN THE APPLICATION.

SHEET NUMBER  
**1 OF 2**

6007-2727-119

REV. DESC-ADJUSTED OVERALL LENGTH DIMENSION			
REV: D	VERSION: 04	REVISED-01-45-46 09/09/2013	TDR: 000000816614
MODEL NO. 617427-004		REF:	
BY: RAGSSI	Material:	C	

**BALDOR**

G445TS-444TS STD - FOOTED - SIDE-CENTER C/B

617427-004

617427-004

### DUTY MASTER ALTERNATING CURRENT MOTORS

SQUIRREL-CAGE INDUCTION

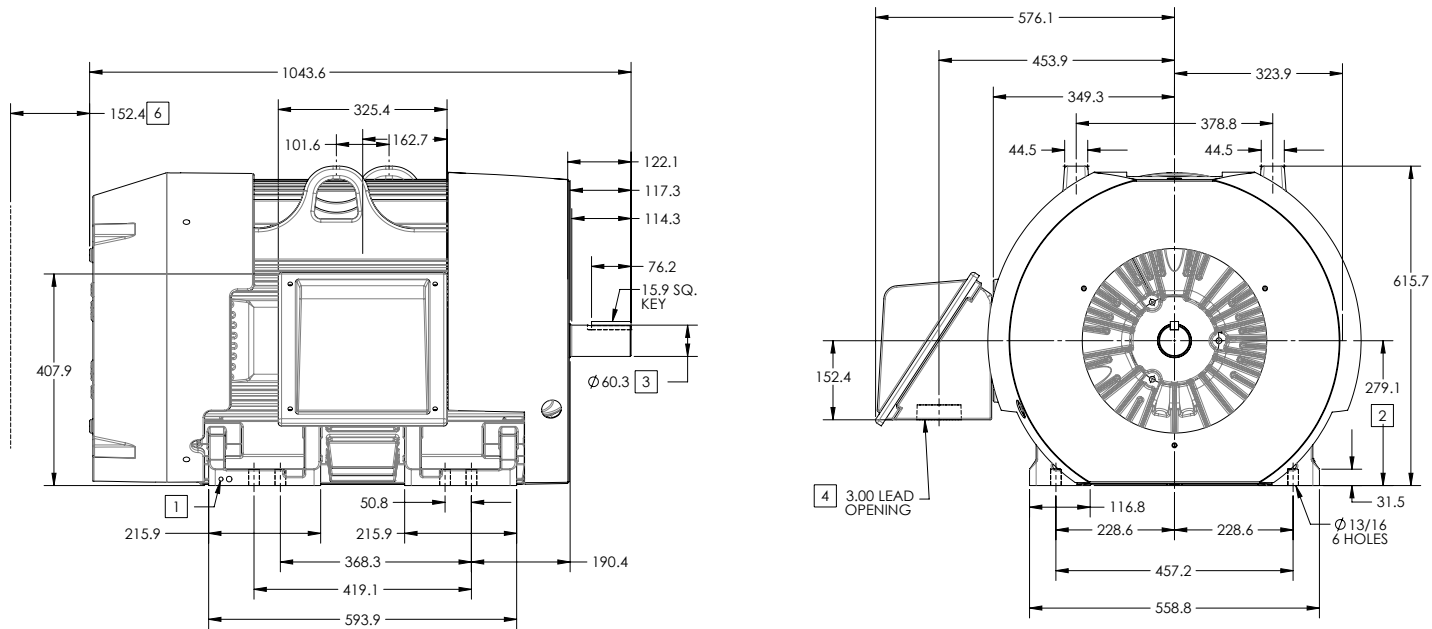
ENCLOSURE: TOTALLY ENCLOSED

FRAME G445TS ABOVE NEMA RATINGS

COOLING: FAN COOLED

MOUNTING: FOOT

INCLUDES 444TS FRAME MOUNTING HOLES



1. GROUND HOLES QTY 1 1/2-13 TAP; QTY 1 3/8-16 TAP
2. VARIES +.00,-.06
3. VARIES +.00,-.001
4. ON STANDARD MOTORS THIS IS CONDUIT SIZE. ON XT AND CORROSION PROOF MOTOR THIS IS PIPE TAP.
5. MOTOR WEIGHTS MAY VARY BY 15% DEPENDING ON RATING.
6. OBSTRUCTION MUST NO ENCROACH ON AIR INLET

CONDUIT BOX LOCATED ON OPPOSITE SIDE WHEN F-2. IF MOUNTING CLEARANCE DETAILS ARE REQUIRED, CONSULT FACTORY. MAXIMUM PERMISSIBLE SHAFT RUNOUT WHEN MEASURED AT END OF STANDARD SHAFT EXTENSION IS .08 MM T.I.R. TO 127 MM DIA.

**[5] WEIGHT (KGS): 950**

DRIVE END AIR DEFLECTOR IS ONLY INCLUDED WHEN NECESSARY.

DIMENSIONS ARE IN MILLIMETERS; SEE SHEET 1 FOR DIMENSIONS IN INCHES

CUSTOMER IS RESPONSIBLE FOR DETERMINING THAT MOTOR PERFORMANCE IS SUITABLE IN THE APPLICATION.

SHEET NUMBER  
**2 OF 2**

1007-2727-119

REV. D	VERSION: 04	REVISED-01-45-46-09-09-2013	TDR: 000000816614
MODEL NO. 617427-004	REF:		
BY: RAGSSI	Material:		

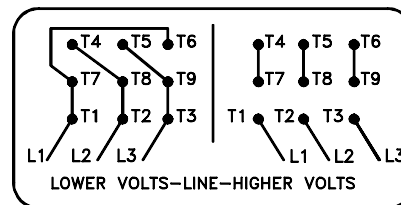
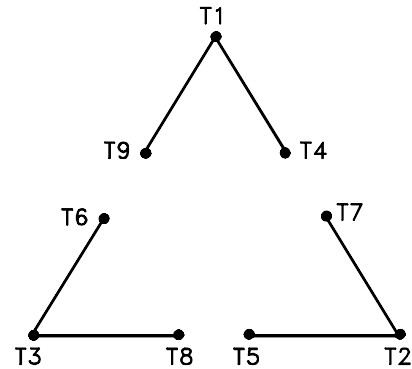
**BALDOR**

G445TS-444TS STD - FOOTED - SIDE-CENTER C/B

617427-004

416820-002

A-C MOTOR  
 CONNECTION DIAGRAM  
 STANDARD 9 LEAD DELTA-CONNECTED



(N.P. 1575-B)

416820-002

REV. DESC: LOADED TO BUS, C/R 335225		
REV. LTR: -	VERSION: 00	TDR: 000000538207
FILE: \MGA\00000\661	REVISED: 10: 47: 51 04/30/2010	
MTL: -	BY: RAGRA	

**BALDOR**

CONN DIAG - STANDARD 9 LEAD, DELTA-CONNECTED

SH 1 of 1

Marketing maintained PDF of MN408:

<http://www.baldor.com/support/Literature/Load.ashx/MN408?ManNumber=MN408>

Marketing maintained PDF of MN416:

<http://www.baldor.com/support/Literature/Load.ashx/MN416?ManNumber=MN416>