

BALDOR® • RELIANCE 

Product Information Packet

ECP64110TR-4

40HP,1770RPM,3PH,60HZ,324T,1260M,TEFC,F1

Part Detail							
Revision:	H	Status:	PRD/A	Change #:		Proprietary:	No
Type:	AC	Elec. Spec:	12WGY762	CD Diagram:	CD0006	Mfg Plant:	
Mech. Spec:	12G908	Layout:	12LYG908	Poles:	04	Created Date:	09-18-2014
Base:	RG	Eff. Date:	12-12-2017	Leads:	3#8		

Specs			
Catalog Number:	ECP64110TR-4	Inverter Code:	Inverter Duty
Enclosure:	TEFC	KVA Code:	F
Frame:	324T	Lifting Lugs:	Standard Lifting Lugs
Frame Material:	Iron	Locked Bearing Indicator:	Locked Bearing
Output @ Frequency:	40.000 HP @ 60 HZ	Motor Lead Quantity/Wire Size:	3 @ 8 AWG
Synchronous Speed @ Frequency:	1800 RPM @ 60 HZ	Motor Lead Exit:	Ko Box
Voltage @ Frequency:	460.0 V @ 60 HZ	Motor Lead Termination:	Ring Terminals
XP Class and Group:	CLI GP A,B,C,D	Motor Type:	1260M
XP Division:	Division II	Mounting Arrangement:	F1
Agency Approvals:	UR	Power Factor:	86
	CSA EEV	Product Family:	Chem Process S/P 32-8 IEEE 841
	CSA	Pulley End Bearing Type:	Roller
Auxillary Box:	No Auxillary Box	Pulley Face Code:	Standard
Auxillary Box Lead Termination:	None	Pulley Shaft Indicator:	Standard
Base Indicator:	Rigid	Rodent Screen:	None
Bearing Grease Type:	Mobilith SHC220, HC9455	Shaft Extension Location:	Pulley End
Blower:	None	Shaft Ground Indicator:	No Shaft Grounding
Constant Torque Speed Range:	1	Shaft Rotation:	Reversible

Current @ Voltage:	46.000 A @ 460.0 V	Shaft Slinger Indicator:	No Slinger
Design Code:	B	Speed Code:	Single Speed
Drip Cover:	No Drip Cover	Motor Standards:	NEMA
Duty Rating:	CONT	Starting Method:	Direct on line
Electrically Isolated Bearing:	Not Electrically Isolated	Thermal Device - Bearing:	NONE (OLD)
Feedback Device:	NO FEEDBACK	Thermal Device - Winding:	None
Front Face Code:	Standard	Vibration Sensor Indicator:	No Vibration Sensor
Front Shaft Indicator:	None	Winding Thermal 1:	None
Heater Indicator:	No Heater	Winding Thermal 2:	None
Insulation Class:	F	XP Temp Code:	T3

Nameplate NP3201

STK.NO.	ECP64110TR-4	P/N		ENCL	TEFC
SPEC.	12G908Y762G1	CC	010A	FRAME	324T
HP	40	CLASS	F	HZ	60
RPM	1770	RPM MAX	2700	PH	3
VOLT	460	DES	B	ODE BRG	6312
AMP	46	CODE	F	DE BRG	NU312
RATING	40C AMB-CONT	MOTOR WEIGHT	600	D.E. BRG.	60RU03X30X
NEMA-NOM-EFF	94.1	MAX. KVAR	8.3	O.D.E. BRG.	60BC03X30X
G.MIN.EFF	93	SER.F.	1.15	GREASE	MOBILITH SHC220
TEMP CODE	T3	IP	56	BLANK	AIR COOLED HEAT
TEMP =	200	INV.TYPE	PWM	EXCHANGER MTR	
CT HZ FROM	1	# OF ROTOR BARS	40		
HTR-VOLTS		# OF STATOR SLOTS	48		
		INVERTER-TEMP-CODE	200		
		C HP FR	60		
		C HP TO	90		
		HTR-AMPS			
		HTR-WATTS			
		MAX. SPACE HEATER TEMP.			
		VT HZ FROM	0		
		VT HZ TO	60		

Parts List		
Part Number	Description	Quantity
SA287146	SA 12G908Y762G1	1.000 EA
RA273362	RA 12G908Y762G1	1.000 EA
09FN3001C03	EXTERNAL FAN, PLASTIC	1.000 EA
WD1000B19	TERMINAL BURNDY L250HP	1.000 EA
10XN3816K08	3/8-16 X .50 HEX HD CAP SCREW GRADE 5	1.000 EA
10CB1000A04E	CONDUIT BOX, MACH W/E-COAT	1.000 EA
09GS1010	GASKET, DWG, LEADWIRE SEPERATOR	1.000 EA
10XN3118K16	5/16-18 X 1' GRADE #5, STL, ZINC PLATE	4.000 EA
HW1001A31	LOCKWASHER 5/16, ZINC PLT.591 OD, .319 I	4.000 EA
WD1000B16	T&B CX70TN TERMINAL	1.000 EA
10XN2520K06	1/4-20 X 3/8" HX HD SCREWGRADE 5, ZINC P	1.000 EA
HW1001A25	LOCKWASHER 1/4, ZINC PLT .493 OD, .255 I	1.000 EA
HA3400A32	STUD, 1/2-13 X 7.38	4.000 EA
HW1001A50	LOCKWASHER 1/2, ZINC PLT,.879 OD, .509 I	4.000 EA
HA4002A03	#304 S.S. DRAIN FITTING, .125 NPT (.44 H	1.000 EA
HW4500A20	1/8NPT SL PIPE PLUG	1.000 EA
HA4017A01	1/8 X 4 GREASE EXT (F/S)	1.000 EA
HA4017A11	1/8 X 2.75 GREASE EXT (F/S)	1.000 EA
HW4019A01	PIPE COUPLING 1/8 NPT,STEEL,ZINC COATING	1.000 EA
HW4601A55	INPRO/SEAL #1698-A-M0022-0 VBXX 312 BRG/	1.000 EA
10XN3118K40	5/16-18 X 2.50" HEX HD, GRADE 5	4.000 EA
HW4600G55	DOME SLINGER, 7.125 OD X 2.120/2.060 ID	1.000 EA
12EP1111A01E	SPL PUEP 312 BRG FOR INPRO SEAL W/E-COAT	1.000 EA
HW4500A20	1/8NPT SL PIPE PLUG	1.000 EA

Parts List (continued)		
Part Number	Description	Quantity
10XN5013K28	1/2-13 X 1.75 HEX HEAD MACH SCREW,GRAD	4.000 EA
HW1001A50	LOCKWASHER 1/2, ZINC PLT.,.879 OD, .509 I	4.000 EA
HW4601A55	INPRO/SEAL #1698-A-M0022-0 VBXX 312 BRG/	1.000 EA
10XN3118K40	5/16-18 X 2.50" HEX HD, GRADE 5	4.000 EA
WD4100A85	HEYCO #2790 DOME PLUG,DP-2500, FOR 2.50	1.000 EA
XY5013A12	NUT,1/2-13,HEX,STEEL,ZINCPLATED	4.000 EA
HW1001A50	LOCKWASHER 1/2, ZINC PLT.,.879 OD, .509 I	4.000 EA
10CB1503A01P	CONDUIT BOX LIPPED LID, MACH W/EPXY PRMR	1.000 EA
14GS1003	GASKET CONDUIT BOX LID, NEOP	1.000 EA
10XN2520K16	1/4-20 X 1" HX HD SCRW GRADE 5, ZINC P	4.000 EA
HW1001A25	LOCKWASHER 1/4, ZINC PLT .493 OD, .255 I	4.000 EA
MJ5004A59	ADHESIVE LOCTITE #401 SURFACE INSENSITIV	0.010 EA
HW2501H33	KEY, 1/2 SQ X 3.875	1.000 EA
MJ5001A27	32220KN GRAY SEALER *MIN BUY 4 QTS=1GAL	0.031 QT
MJ5002A01	SILICON RUBBER SEALANT, 732CL 10.3 OZ TU	0.025 EA
MJ5001A14	DYNAPRO SEALANT, CP MTR VC#2508050 (603	0.029 EA
LB1115N	LABEL,LIFTING DEVICE (ON ROLLS)	1.000 EA
WD1000B48	T&B D73, RING TERMINAL 8 AWG 3/8 STUD	3.000 EA
12EP1111A23GE6	FR ENDPLATE, MACH W/E-COAT & MG1025N19	1.000 EA
HW4500A21	1618BALEMITE FITTING 825 UNIVERSAL	1.000 EA
HA4051A00	PLASTIC CAP FOR GREASE FITTING	1.000 EA
HW4500A17	317400 ALEMITE GREASE RELIEF	1.000 EA
MJ1000A62	GREASE - MOBILITH SHC220, HC9455	0.200 LB
HW4500A03	GREASE FITTING, .125 NPT 1610(ALEMITE) 8	1.000 EA

Product Information Packet: ECP64110TR-4 - 40HP,1770RPM,3PH,60HZ,324T,1260M,TEFC,F1

HA4051A00	PLASTIC CAP FOR GREASE FITTING	1.000 EA
HW4500A17	317400 ALEMITE GREASE RELIEF	1.000 EA
HW2500A25	WOODRUFF KEY USA #1008 #BLOW CARBON STEE	1.000 EA
51XB1214A20	12-14X1.25 HXWSSLD SERTYB	1.000 EA
12FH1002A26GP6	FAN COVER, MACH W/EPOXY PRIMER	1.000 EA
MG1025N19	WILKOFAS, 778.50, RELIANCE BLUE-GREEN	0.080 GA
85XU0407S04	4X1/4 U DRIVE PIN STAINLESS	4.000 EA
LB1449	DIV-2/NEC WARNING LABEL	1.000 EA
LB1119N	WARNING LABEL	1.000 EA
LC0006	CONNECTION LABEL	1.000 EA
NP3201	SS IEEE661 INV DIV-2 UL CSA- C US EEV	1.000 EA
10PA1010	PACKAGING GROUP, PRINT PK1151A06	1.000 EA
12PA1075	PKGP SHAFT TENSIONER 2X4 LEG 6 OPEN 5	1.000 EA
10XN6311K40	5/8-11 X 2.50 LG HEX HD. CAP SCR,GR.5,ZI	1.000 EA
HW1000A38	WASHER, 3/8" FLAT, SAE Z/P	1.000 EA
MN416A01	TAG-INSTAL-MAINT no wire (1200/bx) 5/18	1.000 EA

AC Induction Motor Performance Data

Record # 46865 - Typical performance - not guaranteed values

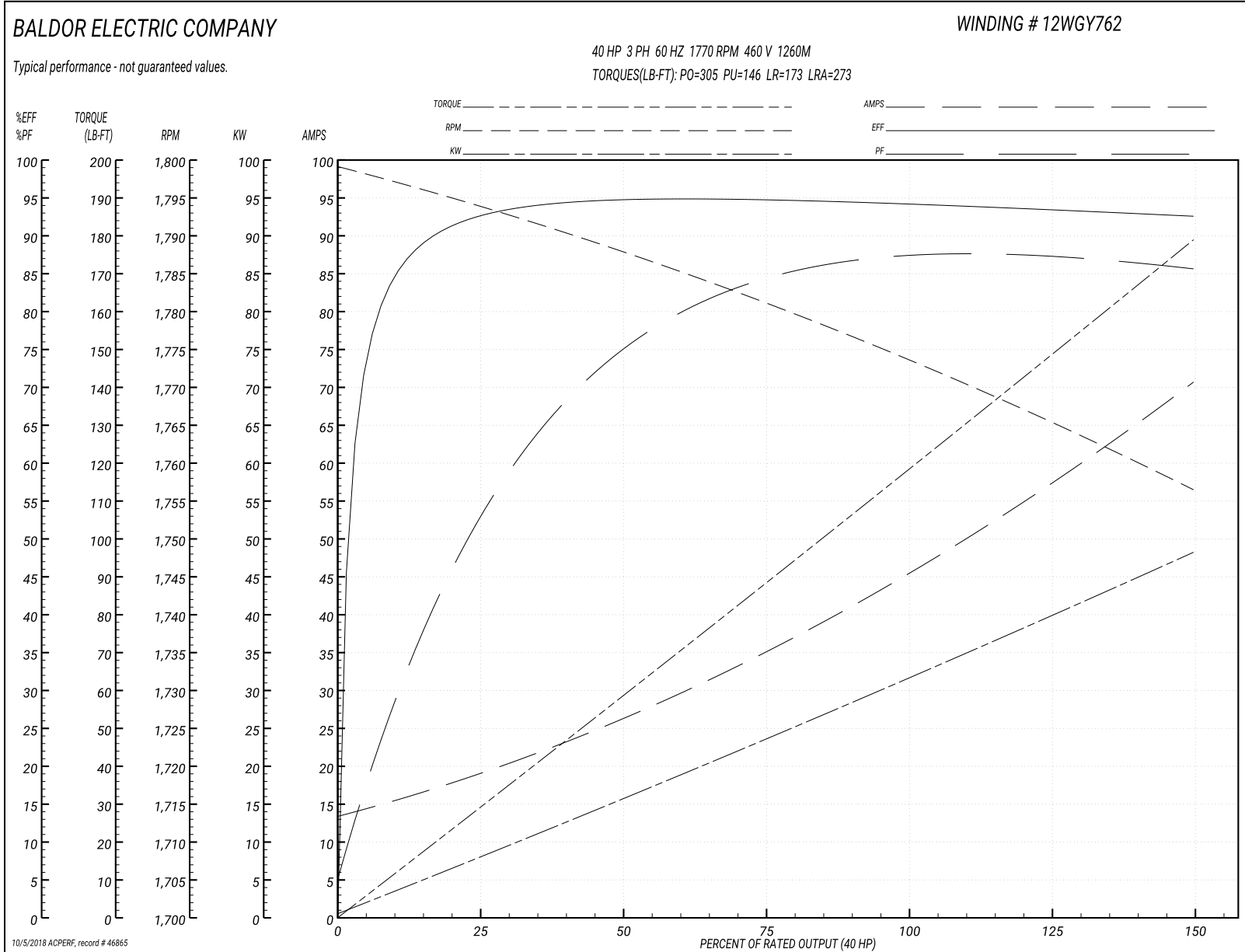
Winding: 12WGY762-R003	Type: 1260M	Enclosure: TEFC
-------------------------------	--------------------	------------------------

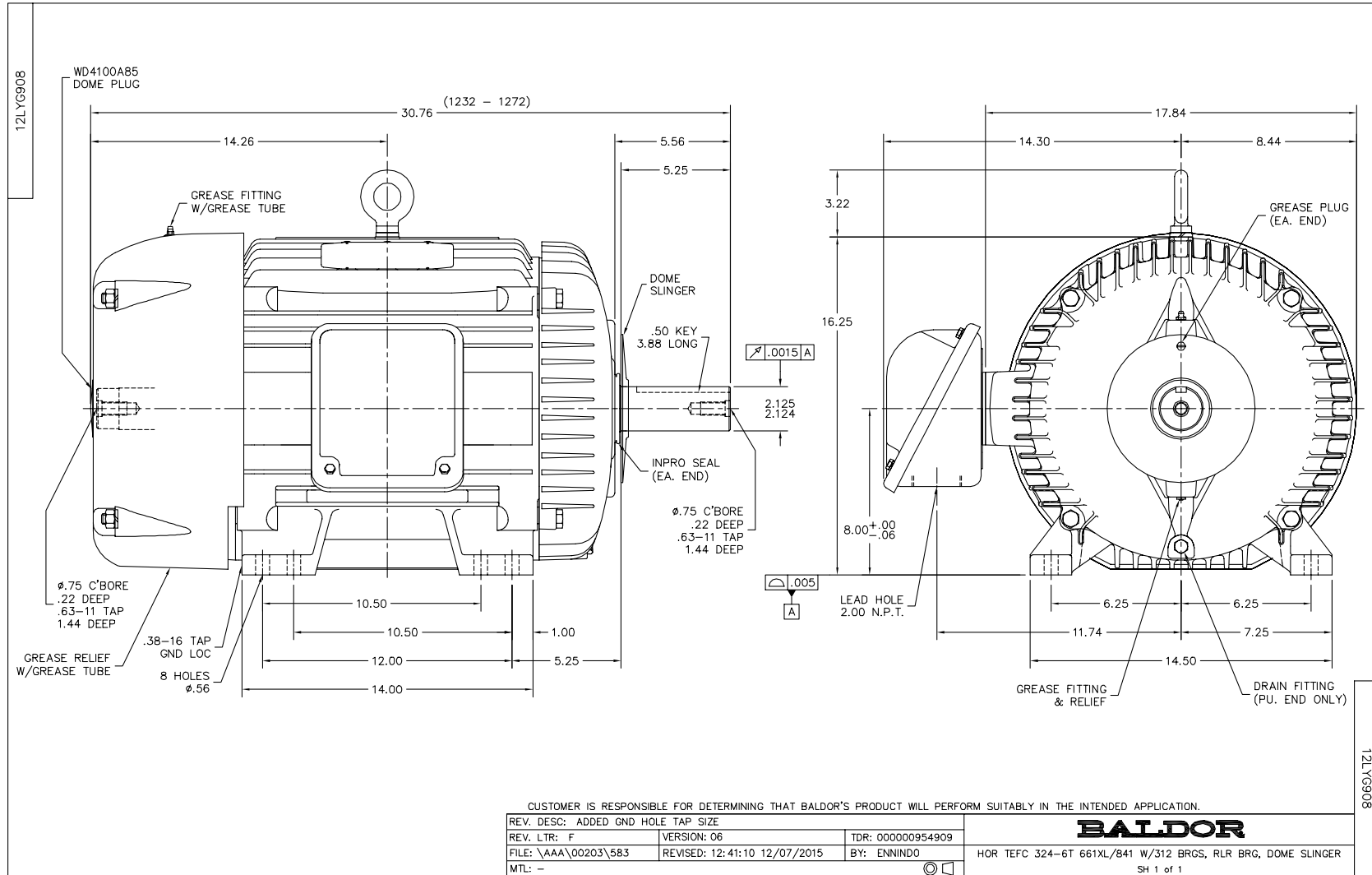
Nameplate Data				460 V, 60 Hz: Single Voltage Motor	
Rated Output (HP)	40			Full Load Torque	118 LB-FT
Volts	460			Start Configuration	direct on line
Full Load Amps	46			Breakdown Torque	305 LB-FT
R.P.M.	1770			Pull-up Torque	146 LB-FT
Hz	60	Phase	3	Locked-rotor Torque	173 LB-FT
NEMA Design Code	B	KVA Code	F	Starting Current	273 A
Service Factor (S.F.)	1.15			No-load Current	14.3 A
NEMA Nom. Eff.	94.1	Power Factor	86	Line-line Res. @ 25°C	0.16401 Ω
Rating - Duty	40C AMB-CONT			Temp. Rise @ Rated Load	62°C
S.F. Amps				Temp. Rise @ S.F. Load	78°C
				Locked-rotor Power Factor	26.5
				Rotor inertia	7.99 LB-FT ²

Load Characteristics 460 V, 60 Hz, 40 HP

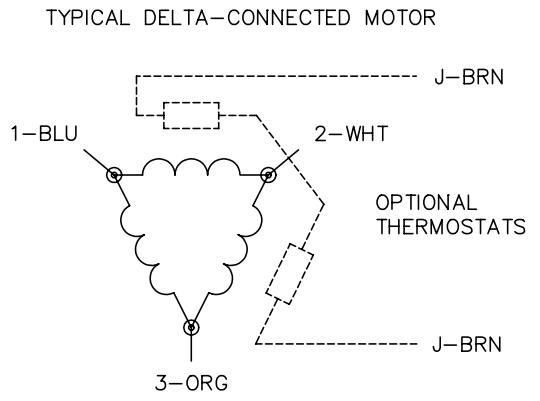
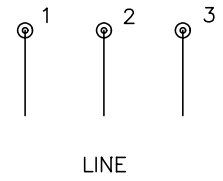
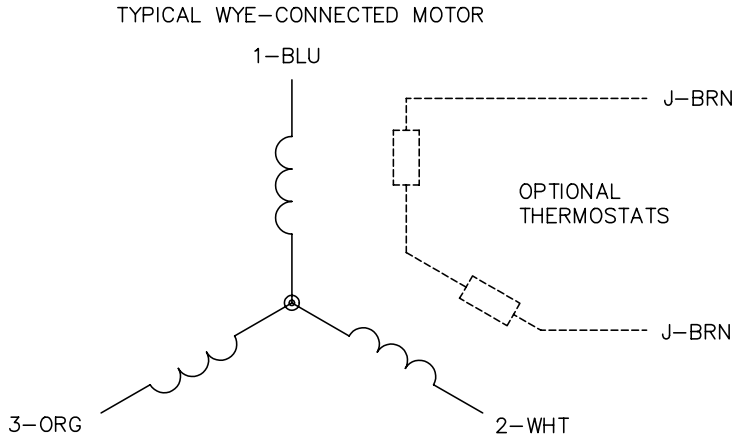
% of Rated Load	25	50	75	100	125	150	S.F.
Power Factor	57	77	84	86	87	86	87
Efficiency	92.6	94.7	94.8	94.3	93.5	92.5	93.8
Speed	1794.1	1788	1780.8	1773.7	1765.2	1756.6	1769
Line amperes	18.1	25.6	35.6	46.1	57.9	70.1	53.2

Performance Graph at 460V, 60Hz, 40.0HP Typical performance - Not guaranteed values





CD0006



- NOTES:
1. THREE LEAD MOTOR MAY BE EITHER WYE CONNECTED OR DELTA CONNECTED.
 2. INTERCHANGE ANY TWO LINE LEADS TO REVERSE ROTATION.
 3. OPTIONAL THERMOSTATS ARE PROVIDED WHEN SPECIFIED.
 4. ACTUAL NUMBER OF INTERNAL PARALLEL CIRCUITS MAY VARY.
 5. LEAD COLORS ARE OPTIONAL. LEADS MUST BE NUMBERED AS SHOWN.

REV. DESC: REVISE TO SHOW OPTIONAL COLORS			
REV. LTR: D	BY: JLP	REVISED: 01/21/99 4:02	TDR: 0171435
9000D		FILE: AAA00005141	MDL: -
		MTL: -	

BALDOR ELECTRIC Co.

3PH, SV, 3 LEADS, WYE OR DELTA CONNECTED

CD0006