

**BALDOR® • RELIANCE** 

**Product Information Packet**

**ECP84312T-5**

**50HP, 1185RPM, 3PH, 60HZ, 365T, TEFC, FOOT,**

Part Detail							
Revision:	P	Status:	PRD/A	Change #:		Proprietary:	No
Type:	AC	Elec. Spec:	A36WG0748	CD Diagram:	416820-036	Mfg Plant:	
Mech. Spec:		Layout:	617428-005	Poles:	06	Created Date:	10-19-2010
Base:		Eff. Date:	04-13-2018	Leads:	3#6		

Specs			
Catalog Number:	ECP84312T-5	Feedback Device:	NO FEEDBACK
Enclosure:	TEFC	Heater Indicator:	No Heater
Frame:	365T	Insulation Class:	F
Frame Material:	Iron	Inverter Code:	Inverter Ready
Output @ Frequency:	50.000 HP @ 60 HZ	KVA Code:	F
Synchronous Speed @ Frequency:	1200 RPM @ 60 HZ	Lifting Lugs:	Standard Lifting Lugs
Voltage @ Frequency:	575.0 V @ 60 HZ	Motor Lead Quantity/Wire Size:	3 @ 6 AWG
XP Class and Group:	CLI GP A,B,C,D	Motor Type:	A36062M
XP Division:	Division II	Mounting Arrangement:	F1
Agency Approvals:	UR	Power Factor:	81
	CSA EEV	Pulley End Bearing Type:	Ball
	CCSA US	Pulley Face Code:	Standard
Auxillary Box:	No Auxillary Box	Shaft Ground Indicator:	No Shaft Grounding
Base Indicator:	Rigid	Shaft Rotation:	Phase Seq-Std Rot (CCWODE)
Bearing Grease Type:	Polyrex EM (-20F +300F)	Shaft Slinger Indicator:	No Slinger
Constant Torque Speed Range:	6-60	Speed Code:	Single Speed
Current @ Voltage:	49.300 A @ 575.0 V	Motor Standards:	None
Design Code:	B	Starting Method:	Direct on line

<b>Drip Cover:</b>	No Drip Cover	<b>Thermal Device - Bearing:</b>	NONE (OLD)
<b>Duty Rating:</b>	CONT	<b>Thermal Device - Winding:</b>	None
		<b>XP Temp Code:</b>	T3A

Nameplate NP3237									
CAT NO	ECP84312T-5		SPEC NO.	P36G5245		DESIGN	B		
HP	50	AMPS	49.3	VOLTS	575	SF	1.15	DUTY	CONT
FRAME SIZE	365T	RPM	1185	HZ	60	AMB	40	PH	3
D.E. BRG.DATA	6313	O.D.E. BRG.DATA	6313	TYPE	P	ENCL	TEFC	CODE	F
D.E. BRG.	65BC03J30X	POWER FACTOR	81	INSUL.CLASS	F				
O.D.E. BRG.	65BC03J30X	MAX CORR KVAR	14.0	NEMA-NOM-EFFICIENCY	94.1				
3/4 LOAD EFF.	94.4	IP	56	GUARANTEED EFFICIENCY	93.6				
TEMP CODE	T3A	TEMP =	180	VT HZ	0-60				
CHP HZ	60-90	CT HZ	6-60	MOTOR WEIGHT					
INVERTER-TEMP-CODE	T3A								
SER.NO.									

Nameplate 000613007EX

CAT NO	ECP84312T-5	SPEC NO.	P36G5245
NO. ROTOR BARS	55	GREASE TYPE	POLYREX EM
NO. SLOTS	72	NL AMPS AT RATED VOLTAGE	16.7
5 YEAR WARRANTY		WINDING RES @25 C	.20270
MFG. DATE		SER.NO	
			OHMS

Parts List		
Part Number	Description	Quantity
SA209162	SA P36G5245	1.000 EA
RA196424	RA P36G5245	1.000 EA
NP3237	SS SUPER E INVERTER DUTY IEEE 841	1.000 EA
000613007EX	SS IEEE 841 EMBOSSED AUXILIARY NAMEPLATE	1.000 EA
000692000JP	N/P	1.000 EA
000692000VD	LABEL WARNING	1.000 EA
000692000VH	N/P (RELEASE 1000 PCS)	1.000 EA
004824015A	GREASE POLYREX EM	0.544 LB
032018008AK	HHCS 1/4-20X1 PLATED	4.000 EA
032018012DK	HHCS 1/2-13X1-1/2 PLTD.	4.000 EA
032018024CK	HHCS 3/8-16X3 PLTD.	3.000 EA
034180012DA	KEY 1X4X1/4X1-1/2 L	1.000 EA
034530032BB	P/NIP 1/4X4" SCHED 40	1.000 EA
034530052AB	P/NIP 1/8X6-1/2 GALV.	1.000 EA
034600001AA	BUSH 1/4TO1/8 BLACK	1.000 EA
034630002AB	CPLG 1/4" PLATED	1.000 EA
035000001G	GREASE RELIEF FITTING, ALEMITE 317400	1.000 EA
035000001G	GREASE RELIEF FITTING, ALEMITE 317400	1.000 EA
085922083BH	BRKT 360 085922072WCC KB	1.000 EA
078550001M	FAN KB 60/30 (30) 360	1.000 EA
078559034A	+F/C A 078559001A - 360	1.000 EA
410700004F	WSHR	1.000 EA
412118006A	DRAIN	1.000 EA
415028008E	INPRO SEAL - 360	1.000 EA

Parts List (continued)		
Part Number	Description	Quantity
415072001B	CLAMP	1.000 EA
415096002A	CPLG 1/8 HEX TYPE	1.000 EA
423709011C	WASHER	3.000 EA
032018012DK	HHCS 1/2-13X1-1/2 PLTD.	4.000 EA
032018024CK	HHCS 3/8-16X3 PLTD.	3.000 EA
034530020BB	P/NIP 1/4X2-1/2 PLATED	1.000 EA
034530032AB	P/NIP 1/8X4 PLATED	1.000 EA
034600001AA	BUSH 1/4TO1/8 BLACK	1.000 EA
034630002AB	CPLG 1/4" PLATED	1.000 EA
085922083BH	BRKT 360 085922072WCC KB	1.000 EA
412118006A	DRAIN	1.000 EA
415028008E	INPRO SEAL - 360	1.000 EA
415096002A	CPLG 1/8 HEX TYPE	1.000 EA
423709011C	WASHER	3.000 EA
032018010CK	HHCS 3/8-16X1-1/4 PLTD.	4.000 EA
033512008LB	HHTTS 1/4-20X1 PLATED	4.000 EA
034000014AB	WSH ID.406 OD.812 TH.065	4.000 EA
035000001A	ALFTG 1/8" 1610-BL	1.000 EA
035000001A	ALFTG 1/8" 1610-BL	1.000 EA
067053000B	GASK 320-400	1.000 EA
076708000BB	C/B - 360	1.000 EA
076709000A	C/B Cover - 360	1.000 EA
406099000A	PLUG - FAN COVER 320-440	1.000 EA
415000103H	415000103H	1.000 EA

Product Information Packet: ECP84312T-5 - 50HP,1185RPM,3PH,60HZ,365T,TEFC,FOOT,

415039016A	TERBD, 360-400	1.000 EA
418150003A	GREASE FITTING CAP	1.000 EA
033775004EA	DRSCR #6-1/4 304 S.S.	4.000 EA
418150003A	GREASE FITTING CAP	1.000 EA
034180034HA	KEY 5/8X5/8X4-1/4 L	1.000 EA
MG1025N19	WILKO 778.50 BLUE GREEN - 55 GAL DRUMS	0.250 GA
004824003CBY	WILKO PAINT 060.02 - ACTIVATOR	0.063 GA
482403003BEF	RUST VETO 342	0.013 GA
MG1500G03-5	LACQUER PRIMER, GRAY	0.063 GA
421948051	LABEL, MYLAR	1.000 EA
14PA1000	PACKAGING 314 GROUP COMBINED PRINT	1.000 EA
000613006PU	N/P (RELEASE QTY 10,000) UL CSA LABEL	1.000 EA
LB1449	DIV-2/NEC WARNING LABEL	1.000 EA
032018005DL	1/2-13 X 5/8 SILICON BRONZE HHCS	1.000 EA



REL. S.O.	FRAME	HP	TYPE	PHASE/HERTZ	RPM	VOLTS
	365T	50	P	3/60	1185	575
AMPS	DUTY	AMB °C/ INSUL.	S.F.	NEMA DESIGN	CODE LETTER	ENCL.
49.3	CONT	40/F	1.15	B	G	TEFC
E/S	ROTOR	TEST S.O.	TEST DATE	STATOR RES. @25 °C (BETWEEN LINES)		
892105	418141-71JDE	---	---	.203		

PERFORMANCE						
LOAD	HP	AMPERES	RPM	POWER FACTOR %	EFFICIENCY %	
NO LOAD	0	17.0	1200	5.08	0	
1/4	12.5	20.9	1197	49.4	90.8	
2/4	25.0	28.5	1193	70.0	93.9	
3/4	37.5	38.2	1190	77.8	94.4	
4/4	50.0	49.3	1186	80.6	94.2	
5/4	62.5	61.4	1182	81.5	93.6	

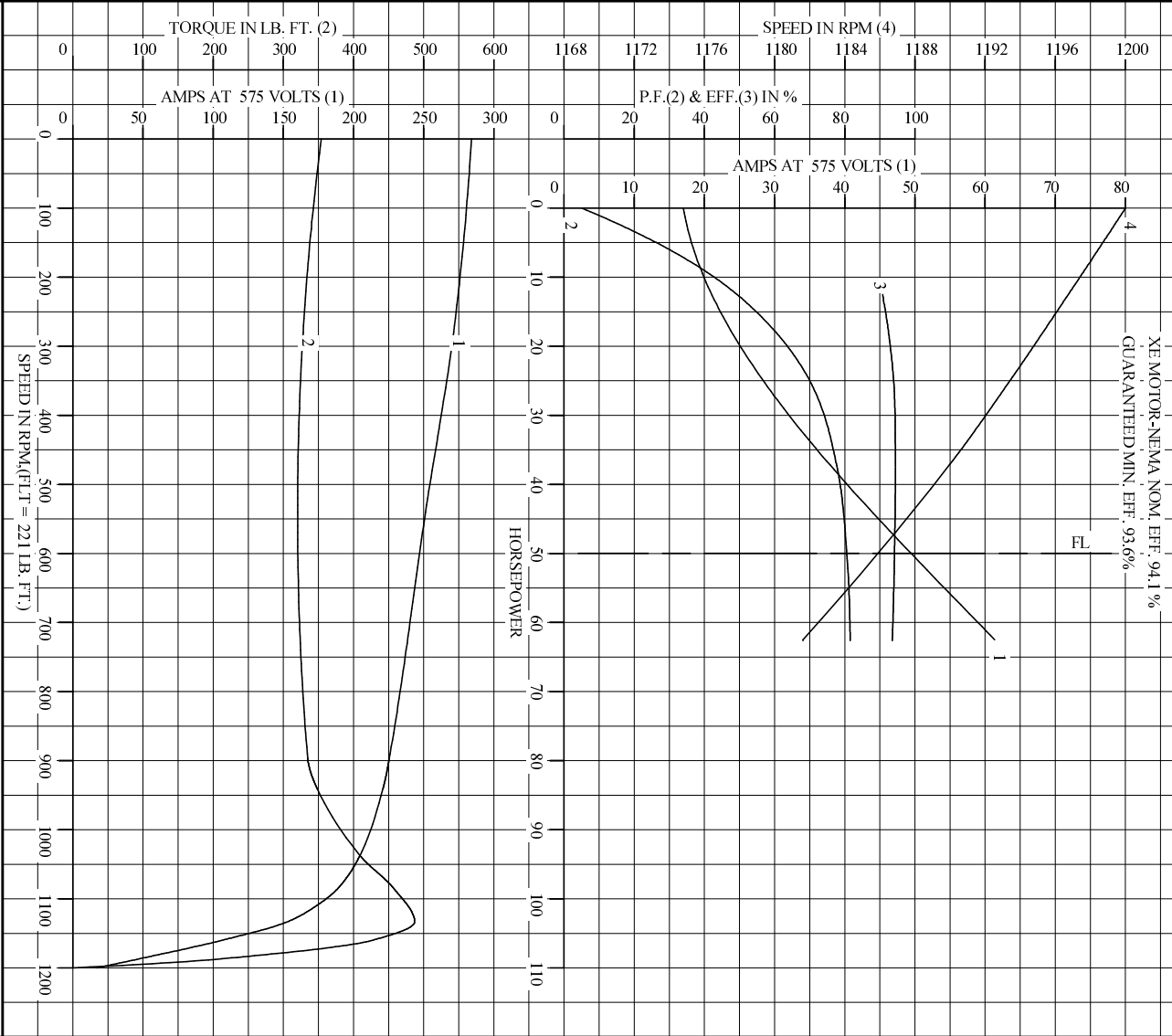
SPEED TORQUE						
	RPM	TORQUE % FULL LOAD	TORQUE LB.-FT.	AMPERES		
LOCKED ROTOR	0	160	354	284		
PULL UP	540	145	320	251		
BREAKDOWN	1133	220	487	153		
FULL LOAD	1186	100	221	49.3		

AMPERES SHOWN FOR 575. VOLT CONNECTION. IF OTHER VOLTAGE CONNECTIONS ARE AVAILABLE, THE AMPERES WILL VARY INVERSELY WITH THE RATED VOLTAGE

REMARKS: TYPICAL DATA  
 XE MOTOR-NEMA NOM. EFF. 94.1 %  
 GUARANTEED MIN. EFF. 93.6 %

<b>BALDOR</b>	DR. BY	W. L. SMITH	<b>A-C MOTOR</b>	
	CK. BY	J. J. HARRISON		<b>PERFORMANCE</b>
	APP. BY	W. L. SMITH		<b>DATA</b>
	DATE	12/07/05	ISSUE DATE	12/15/10

REL. S.O. \_\_\_\_\_ RPM 1185 S.F. 1.15 ROTOR 418141-71JE  
 FRAME 365T VOLTS 575 NEMA DESIGN B TEST S.O. TYPICAL DATA  
 HP 50 AMPS 49.3 CODE LETTER G TEST DATE ---  
 TYPE P DUTY CONT ENCLOSURE TEFC STATOR RES. @ 25 °C .203  
 PHASE/HERTZ 3/60 AMB °C/INSUL 40/F E/S 892105 OHMS (BETWEEN LINES)



AMPERES SHOWN FOR 575 VOLT CONNECTION, IF OTHER VOLTAGE CONNECTIONS ARE AVAILABLE, THE AMPERES WILL VARY INVERSELY WITH THE RATED VOLTAGE.

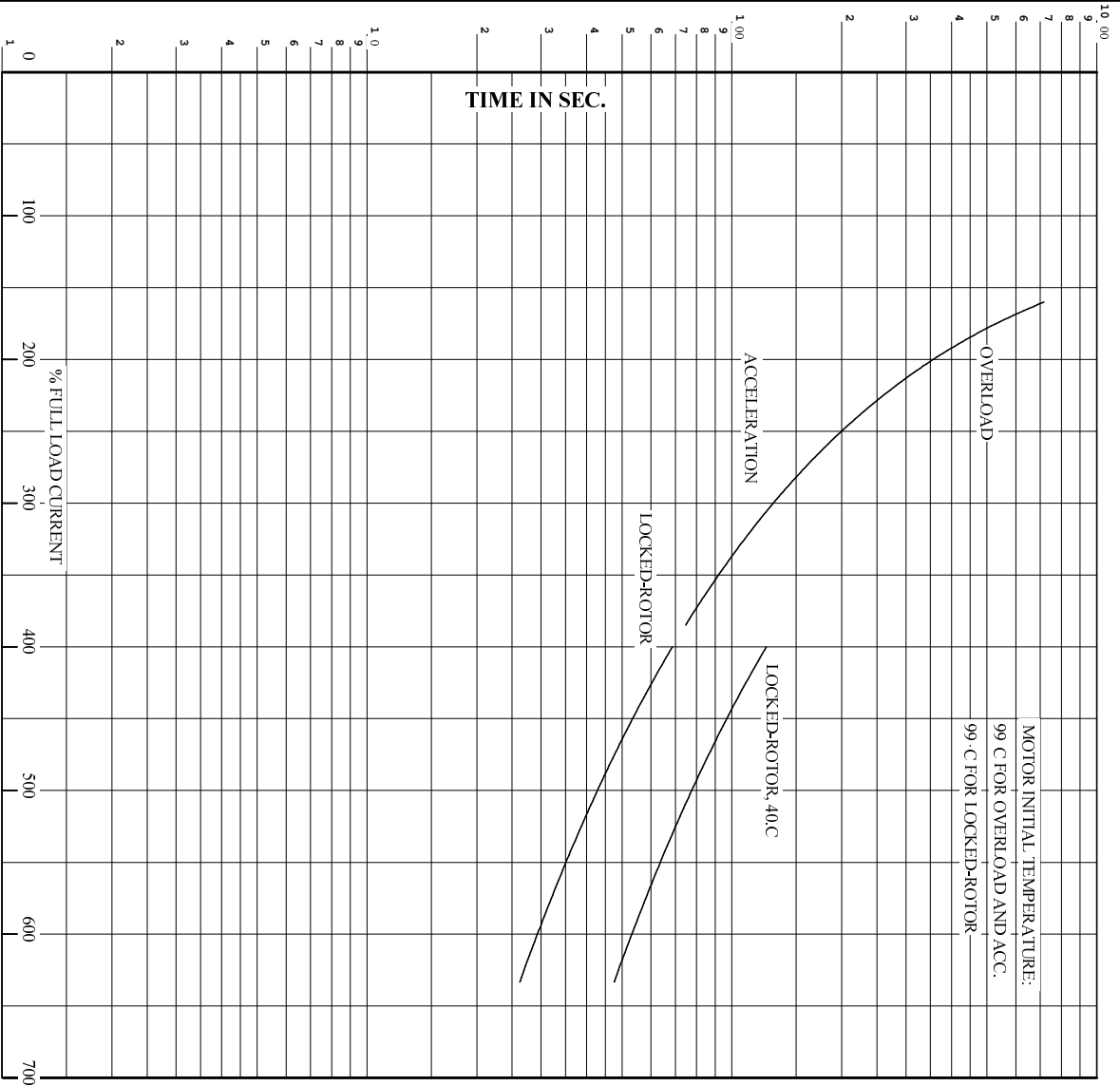
**BALDOR**

DR. BY W.L. SMITH  
 CK. BY J.H. HARRISON  
 APP. BY W.L. SMITH  
 DATE 12/07/05

**A-C MOTOR PERFORMANCE CURVES** A36WG0748-R001  
 ISSUE DATE 12/15/10

Printed on 12/15/10 9:49 @ psecs-motoreng

RET. S.O. RPM 1185 S.F. 1.15 ROTOR 418141-71JE  
 FRAME 365T VOLTS 575 NEMA DESIGN B TEST S.O. TYPICAL DATA  
 HP 50 AMPS 49.3 CODE LETTER G TEST DATE ---  
 TYPE P DUTY CONT ENCLOSURE TEFC STATOR RES. @ 25 °C. 203  
 PHASE/HERTZ 3/60 AMB °C/INSUL 40/F E/S 892105 OHMS (BETWEEN LINES)



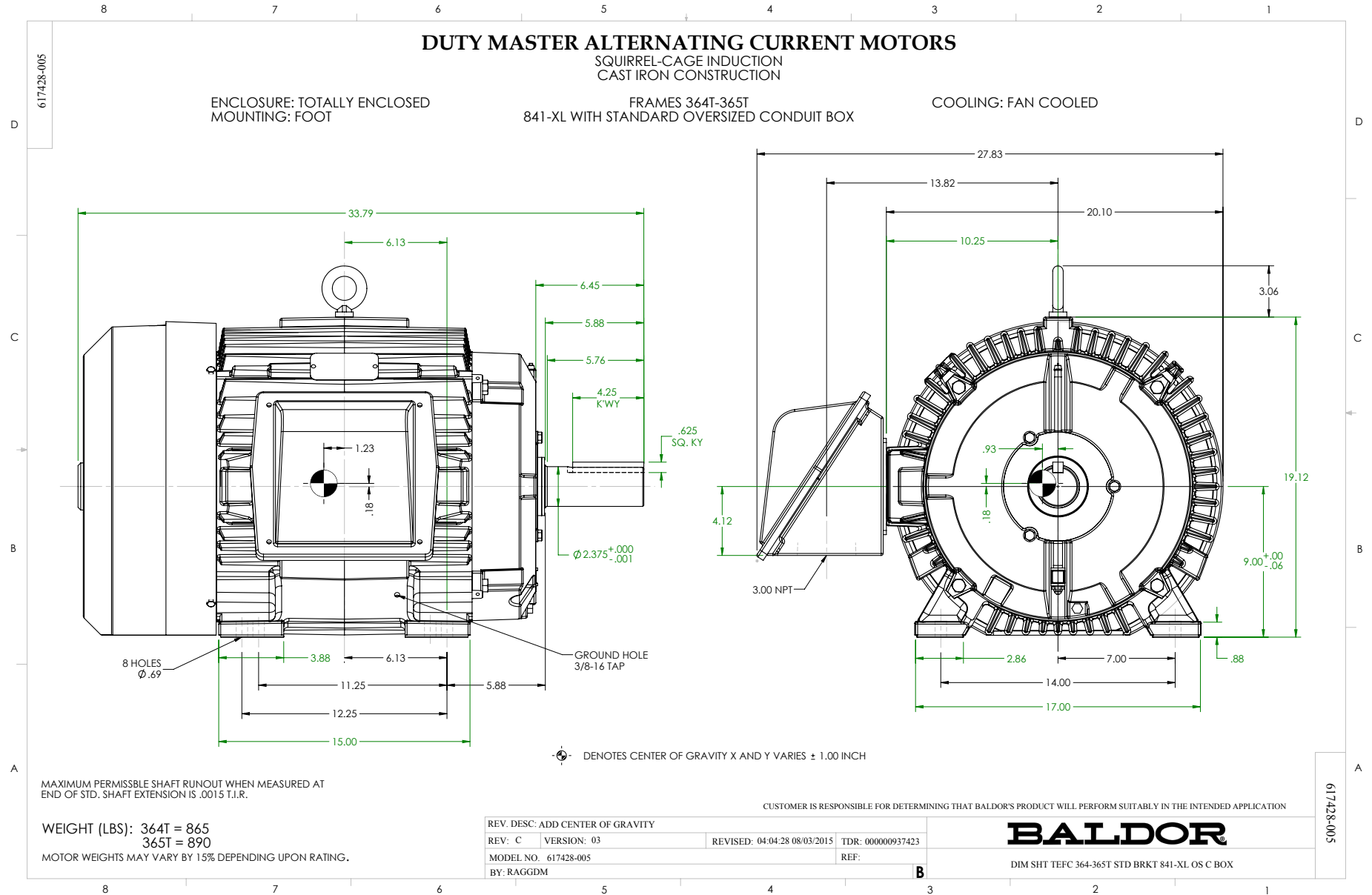
REMARKS: THERMAL LIMIT CURVE  
 XE MOTOR-NEMA NOM. EFF. 94.1 %  
 GUARANTEED MIN. EFF. 93.6%

AMPERES SHOWN FOR 575 VOLT CONNECTION, IF OTHER VOLTAGE CONNECTIONS ARE AVAILABLE, THE AMPERES WILL VARY INVERSELY WITH THE RATED VOLTAGE.



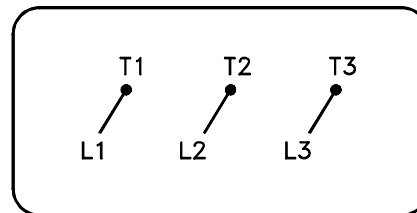
DR. BY W. L. SMITH  
 CK. BY J. HARRISON  
 App. BY W. L. SMITH  
 DATE 12/07/05

**A-C MOTOR**  
**PERFORMANCE** A36WG0748-R001  
**CURVES** ISSUE DATE 12/15/10



416820-036

A-C MOTOR  
 CONNECTION DIAGRAM  
 STANDARD 3 LEAD CONNECTED



(N.P. 1575-BA)

416820-036

REV. DESC: LOADED TO BUS, C/R 335225		
REV. LTR: -	VERSION: 00	TDR: 000000538207
FILE: \MGA\00000\682	REVISED: 11:54:06 04/30/2010	
MTL: -	BY: RAGRA	

**BALDOR**

CONN DIAG - STANDARD 3 LEAD  
 SH 1 of 1

Marketing maintained PDF of MN408:

<http://www.baldor.com/support/Literature/Load.ashx/MN408?ManNumber=MN408>

Marketing maintained PDF of MN416:

<http://www.baldor.com/support/Literature/Load.ashx/MN416?ManNumber=MN416>