

**BALDOR® • RELIANCE** 

**Product Information Packet**

**EFM2513T-8**

**15HP, 1765RPM, 3PH, 60HZ, 254T, 3948M, OPSB, F2**

Part Detail							
Revision:	-	Status:	PRD/A	Change #:		Proprietary:	No
Type:	AC	Elec. Spec:	39WGY387	CD Diagram:	CD0006	Mfg Plant:	
Mech. Spec:	39K70	Layout:	39LYK070	Poles:	04	Created Date:	10-09-2017
Base:	RG	Eff. Date:	10-11-2017	Leads:	3#8		

Specs			
Catalog Number:	EFM2513T-8	Insulation Class:	F
Enclosure:	OPSB	Inverter Code:	Inverter Ready
Frame:	254T	KVA Code:	H
Frame Material:	Steel	Lifting Lugs:	Standard Lifting Lugs
Output @ Frequency:	15.000 HP @ 60 HZ	Locked Bearing Indicator:	No Locked Bearing
Synchronous Speed @ Frequency:	1800 RPM @ 60 HZ	Motor Lead Quantity/Wire Size:	3 @ 8 AWG
Voltage @ Frequency:	200.0 V @ 60 HZ	Motor Lead Exit:	Ko Box
XP Class and Group:	None	Motor Lead Termination:	Flying Leads
XP Division:	Not Applicable	Motor Type:	3948M
Agency Approvals:	UR	Mounting Arrangement:	F2
	CSA EEV	Power Factor:	85
	CSA	Product Family:	General Purpose
Auxillary Box:	No Auxillary Box	Pulley End Bearing Type:	Ball
Auxillary Box Lead Termination:	None	Pulley Face Code:	Standard
Base Indicator:	Rigid	Pulley Shaft Indicator:	Standard
Bearing Grease Type:	Polyrex EM (-20F +300F)	Rodent Screen:	None
Blower:	None	Shaft Extension Location:	Pulley End
Current @ Voltage:	40.000 A @ 208.0 V	Shaft Ground Indicator:	No Shaft Grounding

	41.000 A @ 200.0 V	<b>Shaft Rotation:</b>	Reversible
<b>Design Code:</b>	A	<b>Shaft Slinger Indicator:</b>	No Slinger
<b>Drip Cover:</b>	No Drip Cover	<b>Speed Code:</b>	Single Speed
<b>Duty Rating:</b>	CONT	<b>Motor Standards:</b>	NEMA
<b>Electrically Isolated Bearing:</b>	Not Electrically Isolated	<b>Starting Method:</b>	Direct on line
<b>Feedback Device:</b>	NO FEEDBACK	<b>Thermal Device - Bearing:</b>	NONE (OLD)
<b>Front Face Code:</b>	Standard	<b>Thermal Device - Winding:</b>	None
<b>Front Shaft Indicator:</b>	None	<b>Vibration Sensor Indicator:</b>	No Vibration Sensor
<b>Heater Indicator:</b>	No Heater	<b>Winding Thermal 1:</b>	None
		<b>Winding Thermal 2:</b>	None

<b>Nameplate NP3553L</b>										
<b>CAT.NO.</b>	EFM2513T-8									
<b>SPEC</b>	39K070Y387G1									
<b>HP</b>	15									
<b>VOLTS</b>	200									
<b>AMPS</b>	41									
<b>RPM</b>	1765									
<b>FRAME</b>	254T				<b>HZ</b>	60			<b>PH</b>	3
<b>SF</b>	1.15		<b>CODE</b>	H	<b>DES</b>	A		<b>CLASS</b>	F	
<b>NEMA NOM. EFF</b>	93		<b>PF</b>	85						
<b>RATING</b>	40C AMB-CONT									
<b>CC</b>	010A				<b>USABLE AT 208V</b>					40
<b>ENCL</b>	OPSB		<b>SER</b>							
<b>DE</b>	6309			<b>ODE</b>	6208					
<b>VPWM INVERTER READY</b>										
<b>CT30-60(2:1) VT3-60(20:1)</b>										

Parts List		
Part Number	Description	Quantity
SA345993	SA 39K070Y387G1	1.000 EA
RA334494	RA 39K070Y387G1	1.000 EA
HA6361A01	LIFTING LUG FOR 37, 39 & 40 FRAME ZINC	2.000 EA
HA6016	ADAPTER, CAST CONDUIT BOX	1.000 EA
09CB3002SP	CB W/1.38 LEAD HOLE FOR 37, 39, 307 & 30	1.000 EA
51XW2520A12	.25-20 X .75, TAPTITE II, HEX WSHR SLTD	2.000 EA
HW1001A25	LOCKWASHER 1/4, ZINC PLT .493 OD, .255 I	2.000 EA
WD1000B16	T&B CX70TN TERMINAL	1.000 EA
51XW1032A06	10-32 X .38, TAPTITE II, HEX WSHR SLTD S	1.000 EA
39EP3200A01SP	FR/PU ENDPLATE, MACH	1.000 EA
HW5100A08	W3118-035 WVY WSHR (WB)	1.000 EA
39EP3201A13	PU ENDPLATE, MACH	1.000 EA
XY3816A12	3/8-16 FINISHED NUT	8.000 EA
09CB3501SP	CONDUIT BOX LID FOR 09CB3001 & 09CB3002	1.000 EA
51XW2520A12	.25-20 X .75, TAPTITE II, HEX WSHR SLTD	2.000 EA
HW2501G25	KEY, 3/8 SQ X 2.875	1.000 EA
LB1115N	LABEL,LIFTING DEVICE (ON ROLLS)	1.000 EA
HA4051A00	PLASTIC CAP FOR GREASE FITTING	1.000 EA
HW4500A03	GREASE FITTING, .125 NPT 1610(ALEMITE) 8	1.000 EA
HW4500A20	1/8NPT SL PIPE PLUG	1.000 EA
MJ1000A02	GREASE, POLYREX EM EXXON (USe 4824-15A)	0.030 LB
HA4051A00	PLASTIC CAP FOR GREASE FITTING	1.000 EA
HW4500A03	GREASE FITTING, .125 NPT 1610(ALEMITE) 8	1.000 EA
HW4500A20	1/8NPT SL PIPE PLUG	1.000 EA

<b>Parts List (continued)</b>		
<b>Part Number</b>	<b>Description</b>	<b>Quantity</b>
MG1000Y03	MUNSELL 2.53Y 6.70/ 4.60, GLOSS 20,	0.050 GA
85XU0407S04	4X1/4 U DRIVE PIN STAINLESS	2.000 EA
39AD2002A01	BAFFLE PLATE 39 OPEN, SLOTTED BAND MTRS	1.000 EA
39AD2002A01	BAFFLE PLATE 39 OPEN, SLOTTED BAND MTRS	1.000 EA
HA3154A03	STUD, 3/8-16 X 17.75	4.000 EA
LB1119N	WARNING LABEL	1.000 EA
LC0006	CONNECTION LABEL	1.000 EA
NP3553L	ALUM SUPER-E VPWM INVERTER READY UL CSA-	1.000 EA
39PA1000	PACKAGING GROUP 39 PRINT	1.000 EA
MN416A01	TAG-INSTAL-MAINT no wire (1200/bx) 5/18	1.000 EA

<b>Accessories</b>		
<b>Part Number</b>	<b>Description</b>	<b>Multiplier</b>
39-3400	C FACE KIT	A8

**AC Induction Motor Performance Data**

Record # 67189 - Typical performance - not guaranteed values

<b>Winding:</b> 39WGY387-R001	<b>Type:</b> 3948M	<b>Enclosure:</b> OPSB
-------------------------------	--------------------	------------------------

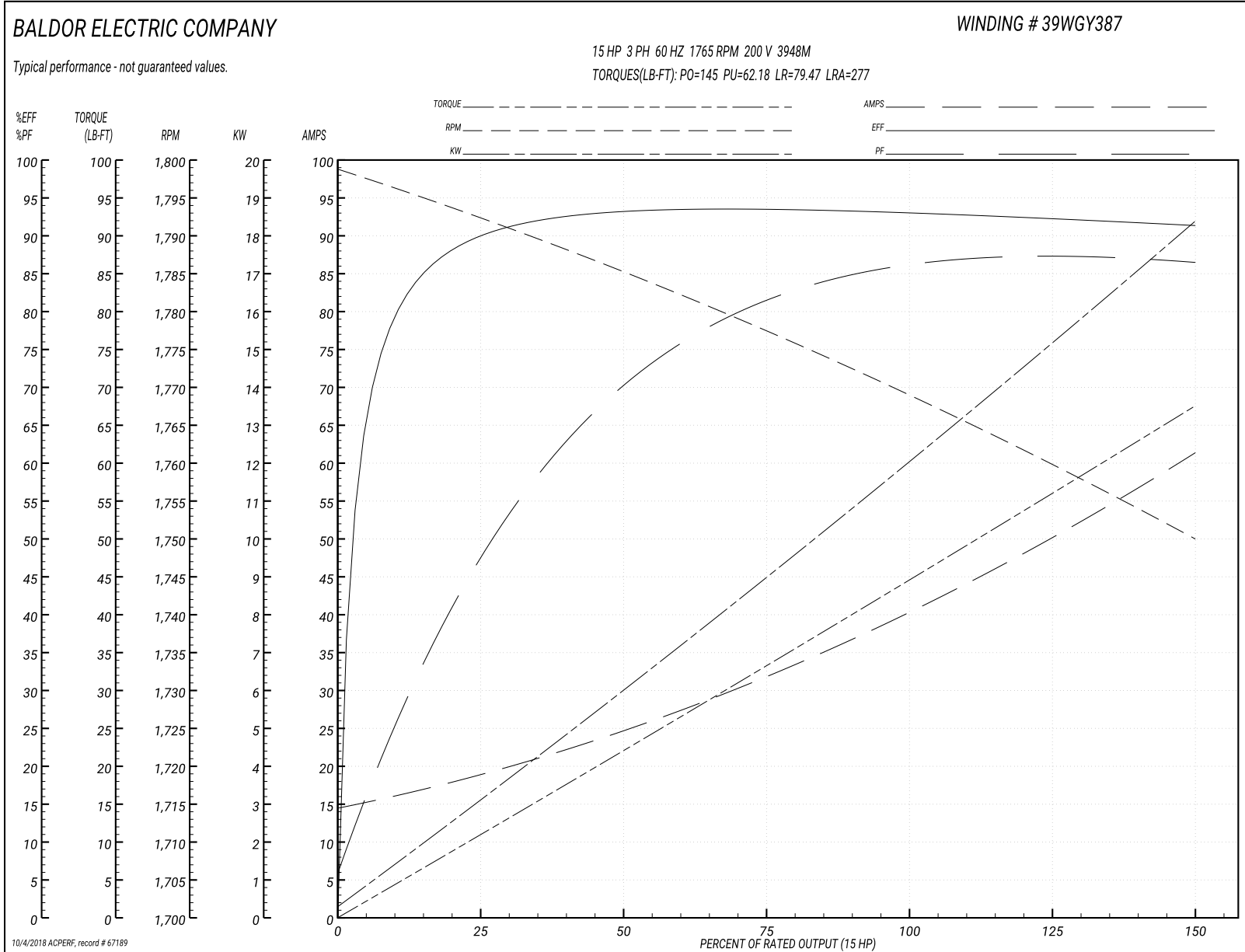
Nameplate Data				200 V, 60 Hz: Single Voltage Motor	
Rated Output (HP)	15			Full Load Torque	44.48 LB-FT
Volts	200			Start Configuration	direct on line
Full Load Amps	41			Breakdown Torque	145 LB-FT
R.P.M.	1765			Pull-up Torque	62.18 LB-FT
Hz	60	Phase	3	Locked-rotor Torque	79.47 LB-FT
NEMA Design Code	A	KVA Code	H	Starting Current	277 A
Service Factor (S.F.)	1.15			No-load Current	15.15 A
NEMA Nom. Eff.	93	Power Factor	85	Line-line Res. @ 25°C	0.108 Ω
Rating - Duty	40C AMB-CONT			Temp. Rise @ Rated Load	26°C
S.F. Amps				Temp. Rise @ S.F. Load	32°C
				Locked-rotor Power Factor	32.9
				Rotor inertia	2.1 LB-FT <sup>2</sup>

Load Characteristics 200 V, 60 Hz, 15 HP

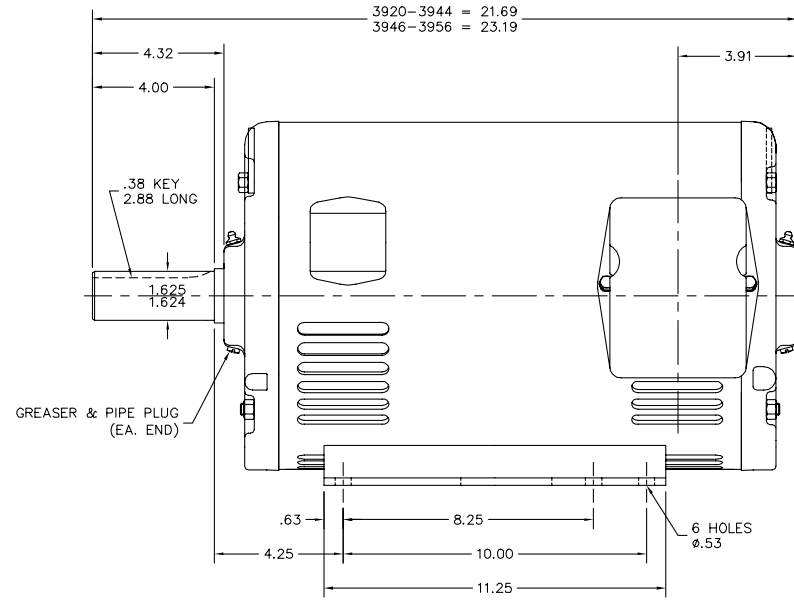
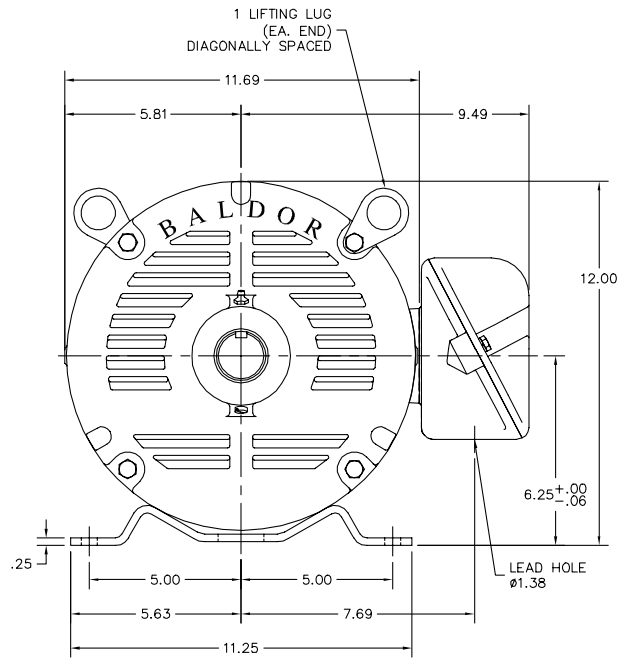
% of Rated Load	25	50	75	100	125	150	S.F.
Power Factor	50	72	81	85	87	87	86
Efficiency	89.8	93	93.5	93	92.3	91.3	92.6
Speed	1792	1785	1778	1769	1760	1750	1764
Line amperes	18.08	24.24	31.96	40.84	50.2	60.92	46.5



Performance Graph at 200V, 60Hz, 15.0HP Typical performance - Not guaranteed values



39LYK070



39LYK070

CUSTOMER IS RESPONSIBLE FOR DETERMINING THAT BALDOR'S PRODUCT WILL PERFORM SUITABLY IN THE INTENDED APPLICATION.

REV. DESC: FIXED DESC. TO READ "OPSB"	VERSION: 03	TDR: 000000550965
REV. LTR: E	REVISED: 08:44:39 07/27/2010	BY: ENKENTO
FILE: \AAA\00013\078		
MTL: -		

**BALDOR**  
 HORZ OPSB 254-6T F2  
 SH 1 of 1

CD0006



NOTES:

1. THREE LEAD MOTOR MAY BE EITHER WYE CONNECTED OR DELTA CONNECTED.
2. INTERCHANGE ANY TWO LINE LEADS TO REVERSE ROTATION.
3. OPTIONAL THERMOSTATS ARE PROVIDED WHEN SPECIFIED.
4. ACTUAL NUMBER OF INTERNAL PARALLEL CIRCUITS MAY VARY.
5. LEAD COLORS ARE OPTIONAL. LEADS MUST BE NUMBERED AS SHOWN.

REV. DESC: REVISE TO SHOW OPTIONAL COLORS			
REV. LTR: D	BY: JLP	REVISED: 01/21/99 4:02	TDR: 0171435
9000D		FILE: AAA00005141	MDL: -
		MTL: -	

**BALDOR ELECTRIC Co.**

3PH, SV, 3 LEADS, WYE OR DELTA CONNECTED

CD0006

Marketing maintained PDF of MN416:

<http://www.baldor.com/support/Literature/Load.ashx/MN416?ManNumber=MN416>