

**BALDOR® • RELIANCE** 

**Product Information Packet**

**EHM2532T**

**25HP, 1180RPM, 3PH, 60HZ, 324T, 4072M, OPSB, F1**

Part Detail							
Revision:	D	Status:	PRD/A	Change #:		Proprietary:	No
Type:	AC	Elec. Spec:	40WG192	CD Diagram:	CD0180	Mfg Plant:	
Mech. Spec:	40E329	Layout:	40LYE329	Poles:	06	Created Date:	10-21-2013
Base:	RG	Eff. Date:	01-26-2017	Leads:	9#10		

Specs			
Catalog Number:	EHM2532T	Inverter Code:	Inverter Ready
Enclosure:	OPSB	KVA Code:	J
Frame:	324T	Lifting Lugs:	Standard Lifting Lugs
Frame Material:	Steel	Locked Bearing Indicator:	No Locked Bearing
Output @ Frequency:	25.000 HP @ 60 HZ	Motor Lead Quantity/Wire Size:	9 @ 10 AWG
Synchronous Speed @ Frequency:	1200 RPM @ 60 HZ	Motor Lead Exit:	Ko Box
Voltage @ Frequency:	230.0 V @ 60 HZ	Motor Lead Termination:	Flying Leads
	460.0 V @ 60 HZ	Motor Type:	4072M
Agency Approvals:	UR	Mounting Arrangement:	F1
	CSA	Power Factor:	76
Auxillary Box:	No Auxillary Box	Product Family:	General Purpose
Auxillary Box Lead Termination:	None	Pulley End Bearing Type:	Ball
Base Indicator:	Rigid	Pulley Face Code:	Standard
Bearing Grease Type:	Polyrex EM (-20F +300F)	Pulley Shaft Indicator:	Standard
Blower:	None	Rodent Screen:	None
Current @ Voltage:	34.000 A @ 460.0 V	Shaft Extension Location:	Pulley End
	68.000 A @ 230.0 V	Shaft Ground Indicator:	Mounting Provisions Only
	70.000 A @ 208.0 V	Shaft Rotation:	Reversible

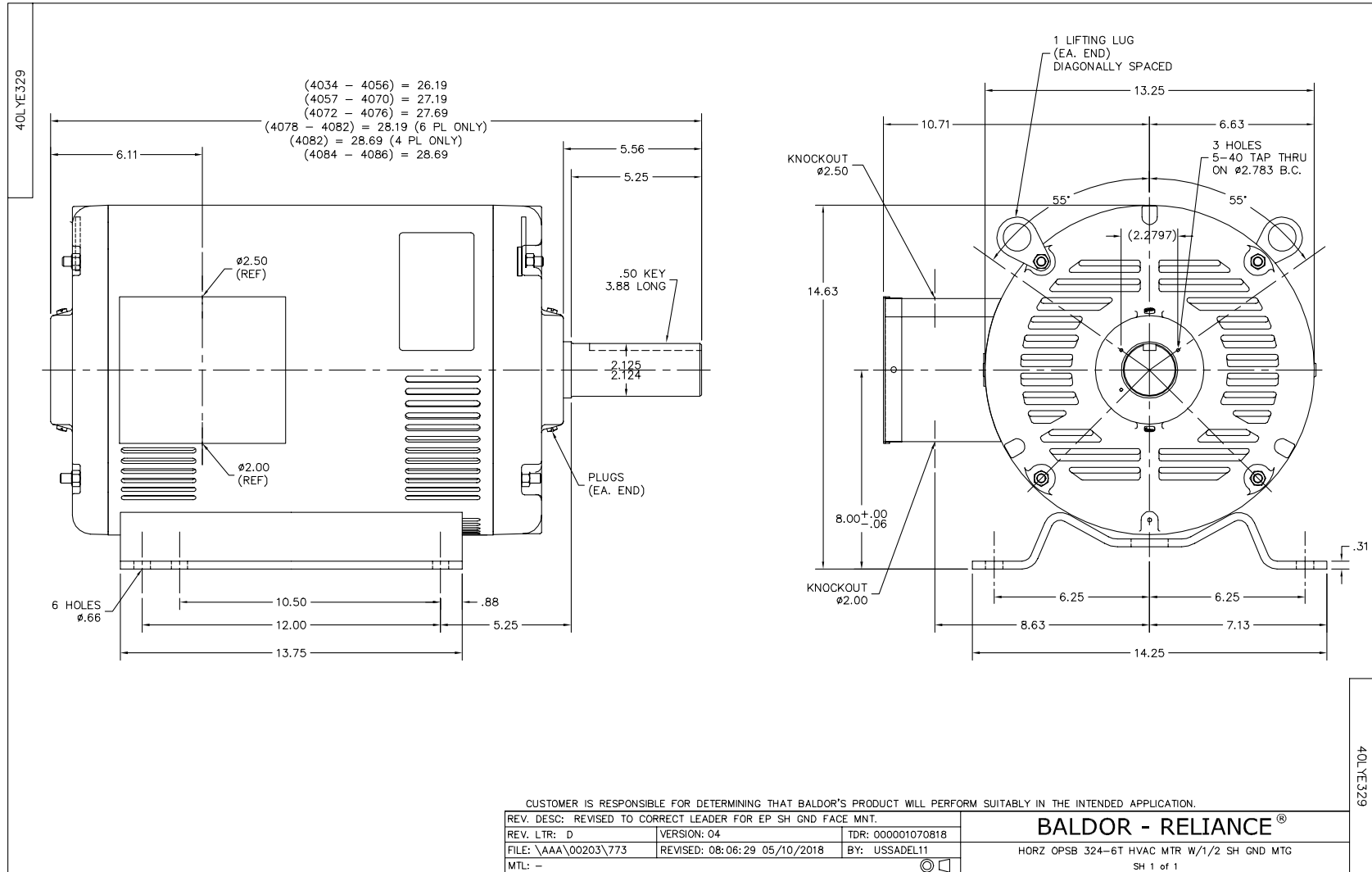
<b>Design Code:</b>	A	<b>Shaft Slinger Indicator:</b>	No Slinger
<b>Drip Cover:</b>	No Drip Cover	<b>Speed Code:</b>	Single Speed
<b>Duty Rating:</b>	CONT	<b>Motor Standards:</b>	NEMA
<b>Feedback Device:</b>	NO FEEDBACK	<b>Starting Method:</b>	Direct on line
<b>Front Face Code:</b>	Standard	<b>Thermal Device - Bearing:</b>	NONE (OLD)
<b>Front Shaft Indicator:</b>	None	<b>Thermal Device - Winding:</b>	None
<b>Heater Indicator:</b>	No Heater	<b>Vibration Sensor Indicator:</b>	No Vibration Sensor
<b>Insulation Class:</b>	F	<b>Winding Thermal 1:</b>	None
		<b>Winding Thermal 2:</b>	None

Nameplate NP2094E06B03	
CAT.NO.	EHM2532T
SPEC.	40E329X192G1
HP	25
VOLTS	230/460
AMPS	68/34
RPM	1180
FRAME	324T
	HZ 60
	PH 3
SER.F.	1.15
	CODE J
	DES A
	CL F
NEMA-NOM-EFF	93
	PF 76
RATING	40C AMB-CONT
CC	010A
	USABLE AT 208V 70
DE	6312
	ODE 6309
AUTO	
	MANUAL
	NONE
ENCL	OPSB
	SN
BLANK	

Parts List		
Part Number	Description	Quantity
SA271377	SA 40E329X192G1	1.000 EA
RA258004	RA 40E329X192G1	1.000 EA
S/P107-000-004	SUPER-E(284 FR. & UP)-CL PLANT,POLYREX E	1.000 EA
HA6361A01	LIFTING LUG FOR 37, 39 & 40 FRAME ZINC	2.000 EA
40CB4000A01	CONDUIT BOX 40, STAMPED	1.000 EA
51XF2520A08	SCREW, HEX SER SLT HD, ZN 1/4-20 X .50 L	2.000 EA
WD1000B16	T&B CX70TN TERMINAL	1.000 EA
40EP3200A02	STD FREP OPEN 309 BRG	1.000 EA
HW5100A11	W3917-042 WVY WSHR (WB)	1.000 EA
40EP3201A09	PU ENDPLATE, MACH - OPEN - FOR 312 BRG	1.000 EA
84XN0540J08	5-40 X 1/2" SHCS, BLACK OXIDE	2.000 EA
XY3816A12	3/8-16 FINISHED NUT	8.000 EA
39CB4500A01	CONDUIT BOX LID 39, STAMPED, W/ PRIMER	1.000 EA
51XF2520A08	SCREW, HEX SER SLT HD, ZN 1/4-20 X .50 L	2.000 EA
HW2501H33	KEY, 1/2 SQ X 3.875	1.000 EA
MN416A01	TAG-INSTAL-MAINT no wire (1200/bx) 5/18	1.000 EA
HW4500A20	1/8NPT SL PIPE PLUG	2.000 EA
MJ1000A02	GREASE, POLYREX EM EXXON (USe 4824-15A)	0.050 LB
HW4500A20	1/8NPT SL PIPE PLUG	2.000 EA
MG1000G27	MED CHARCOAL METALLIC GREY 400-0096	0.030 GA
HA3159A11	THRUBOLT- .38-16 X 20.75 X 3.00 THDS X 1	4.000 EA
40AD2002A01	LEXAN BAFFLE 40 FR OPEN	1.000 EA
40AD2002A01	LEXAN BAFFLE 40 FR OPEN	1.000 EA
LC0181	CONNECTION LABEL	1.000 EA

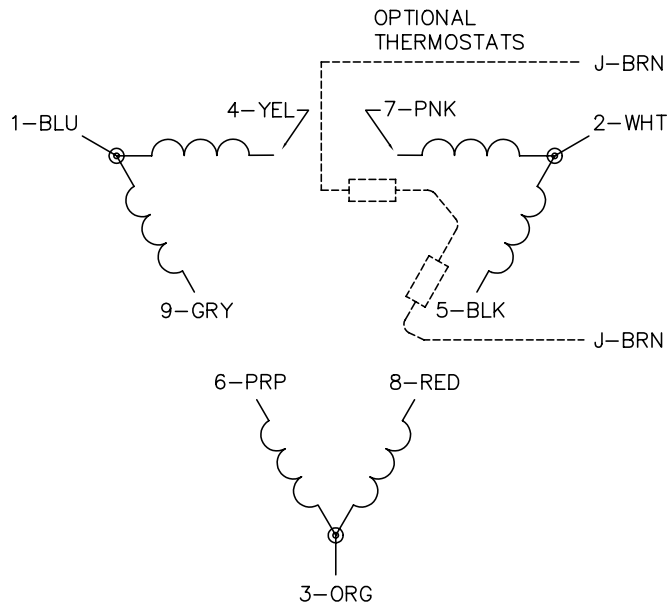
<b>Parts List (continued)</b>		
<b>Part Number</b>	<b>Description</b>	<b>Quantity</b>
NP2094E06B03	NP LABEL W/BARCODE (PREM EFF HVAC MTR)	1.000 EA
40PA1000	PACKAGING GROUP	1.000 EA

No performance data has been  
assigned to this product.

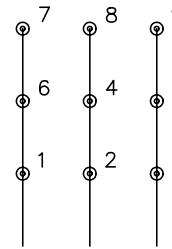




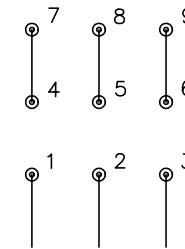
CD0180



LOW VOLTAGE  
(2D)



HIGH VOLTAGE  
(1D)



NOTES:

1. INTERCHANGE ANY TWO LINE LEADS TO REVERSE ROTATION.
2. OPTIONAL THERMOSTATS ARE PROVIDED WHEN SPECIFIED.
3. ACTUAL NUMBER OF INTERNAL PARALLEL CIRCUITS MAY BE A MULTIPLE OF THOSE SHOWN ABOVE.
4. LEAD COLORS ARE OPTIONAL. LEADS MUST ALWAYS BE NUMBERED AS SHOWN.

REV. DESC: REVISE TO SHOW OPTIONAL COLORS			
REV. LTR: C	BY: JLP	REVISED: 01/21/99 2:28	TDR: 0171435
0810D0		FILE: AAA00005148	MDL: -
		MTL: -	

**BALDOR ELECTRIC Co.**

3PH, DV, 9 LEADS, DELTA CONNECTION

CD0180