

BALDOR® • RELIANCE 

Product Information Packet

EHM2555T

100HP,1780RPM,3PH,60HZ,404T,4484M,OPSB,F

Part Detail							
Revision:	A	Status:	PRD/A	Change #:		Proprietary:	No
Type:	AC	Elec. Spec:	44WGW308	CD Diagram:	CD0180	Mfg Plant:	
Mech. Spec:	44E066	Layout:	44LYE066	Poles:	04	Created Date:	08-31-2017
Base:	RG	Eff. Date:	06-12-2018	Leads:	9#4		

Specs			
Catalog Number:	EHM2555T	Inverter Code:	Inverter Ready
Enclosure:	OPSB	KVA Code:	H
Frame:	404T	Lifting Lugs:	Standard Lifting Lugs
Frame Material:	Steel	Locked Bearing Indicator:	Locked Bearing
Output @ Frequency:	100.000 HP @ 60 HZ	Motor Lead Quantity/Wire Size:	9 @ 4 AWG
Synchronous Speed @ Frequency:	1800 RPM @ 60 HZ	Motor Lead Exit:	Ko Box
Voltage @ Frequency:	230.0 V @ 60 HZ	Motor Lead Termination:	Flying Leads
	460.0 V @ 60 HZ	Motor Type:	4484M
Agency Approvals:	CSA	Mounting Arrangement:	F1
	UR	Power Factor:	83
Auxillary Box:	No Auxillary Box	Product Family:	General Purpose
Auxillary Box Lead Termination:	None	Pulley End Bearing Type:	Ball
Base Indicator:	Rigid	Pulley Face Code:	Standard
Bearing Grease Type:	Polyrex EM (-20F +300F)	Pulley Shaft Indicator:	Standard
Blower:	None	Rodent Screen:	None
Current @ Voltage:	118.000 A @ 460.0 V	Shaft Extension Location:	Pulley End
	236.000 A @ 230.0 V	Shaft Ground Indicator:	Mounting Provisions Only
	248.000 A @ 208.0 V	Shaft Rotation:	Reversible

Design Code:	A	Shaft Slinger Indicator:	No Slinger
Drip Cover:	No Drip Cover	Speed Code:	Single Speed
Duty Rating:	CONT	Motor Standards:	NEMA
Electrically Isolated Bearing:	Not Electrically Isolated	Starting Method:	Direct on line
Feedback Device:	NO FEEDBACK	Thermal Device - Bearing:	NONE (OLD)
Front Face Code:	Standard	Thermal Device - Winding:	None
Front Shaft Indicator:	None	Vibration Sensor Indicator:	No Vibration Sensor
Heater Indicator:	No Heater	Winding Thermal 1:	None
Insulation Class:	F	Winding Thermal 2:	None

Nameplate NP2094E06B03	
CAT.NO.	EHM2555T
SPEC.	44E066W308G1
HP	100
VOLTS	230/460
AMPS	236/118
RPM	1780
FRAME	404T
	HZ 60
	PH 3
SER.F.	1.15
	CODE H
	DES A
	CL F
NEMA-NOM-EFF	95.4
	PF 83
RATING	40C AMB-CONT
CC	010A
	USABLE AT 208V 248
DE	6316
	ODE 6312
AUTO	
	MANUAL
	NONE
ENCL	OPSB
	SN
BLANK	

Parts List		
Part Number	Description	Quantity
SA344154	SA 44E066W308G1	1.000 EA
RA332630	RA 44E066W308G1	1.000 EA
HA6731	LIFTING LUG FOR 44 FRAME MOTORS.	2.000 EA
HA6648A01	CAST ADAPTER, 44 FRAME - NEMA 404-5 - MA	1.000 EA
19XW3816A16	.38-16 X 1.00 HEX WASHER HEAD TAPTITE II	2.000 EA
HW1001A38	LOCKWASHER 3/8, ZINC PLT .688 OD, .382 I	2.000 EA
18CB1006A04	CB 318 3.62 LD HOLE, .38 MTG HOLE & 3.88	1.000 EA
19XW3118A16	.31-18 HEX WASHER HEAD TAPTITE II 1.00 L	4.000 EA
HW1001A31	LOCKWASHER 5/16, ZINC PLT.591 OD, .319 I	4.000 EA
WD1000B25	GND LUG, BURNDY L125HP OR T&B L125HP-BB	1.000 EA
10XN3118K08	5/16-18 X .50 GRADE #5, STL, ZINC PLATE	1.000 EA
HW1001A31	LOCKWASHER 5/16, ZINC PLT.591 OD, .319 I	1.000 EA
44EP1203A02	FREP, MACH	1.000 EA
HW5100A15	W4997-050 WVY WSHR (WB)	1.000 EA
10XN3816K48	3/8-16 X 3 HEX HD CAP SCREW,Z/P	4.000 EA
HW1001A38	LOCKWASHER 3/8, ZINC PLT .688 OD, .382 I	4.000 EA
44EP1202A12	PU ENDPLATE, MACH.	1.000 EA
84XN0540J08	5-40 X 1/2" SHCS, BLACK OXIDE	2.000 EA
XY5013A12	NUT,1/2-13,HEX,STEEL,ZINCPLATED	8.000 EA
18CB1506A01	CB LID 318 FOR 18CB1006	1.000 EA
10XN3118K16	5/16-18 X 1' GRADE #5, STL, ZINC PLATE	4.000 EA
HW1001A31	LOCKWASHER 5/16, ZINC PLT.591 OD, .319 I	4.000 EA
HW2501K66	KEY, 3/4 SQ X 5.625	1.000 EA
44AD2001A01	BAFFLE 44 OPEN,"X"=1.00, SLOTTED BAND MT	1.000 EA

Parts List (continued)		
Part Number	Description	Quantity
HW4500A20	1/8NPT SL PIPE PLUG	2.000 EA
MJ1000A02	GREASE, POLYREX EM EXXON (USe 4824-15A)	0.030 LB
44AD2001A01	BAFFLE 44 OPEN,"X"=1.00, SLOTTED BAND MT	1.000 EA
HW4500A20	1/8NPT SL PIPE PLUG	2.000 EA
HA3175A04	THRUBOLT STUD 1/2-13 X 26.000 - GRADE 2	4.000 EA
MG1000G27	MED CHARCOAL METALLIC GREY 400-0096	0.080 GA
LC0181	CONNECTION LABEL	1.000 EA
NP2094E06B03	NP LABEL W/BARCODE (PREM EFF HVAC MTR)	1.000 EA
44PA1000	PK GP COMB PRINT 39-3/8X31X23-7/8	1.000 EA

AC Induction Motor Performance Data

Record # 31771 - Typical performance - not guaranteed values

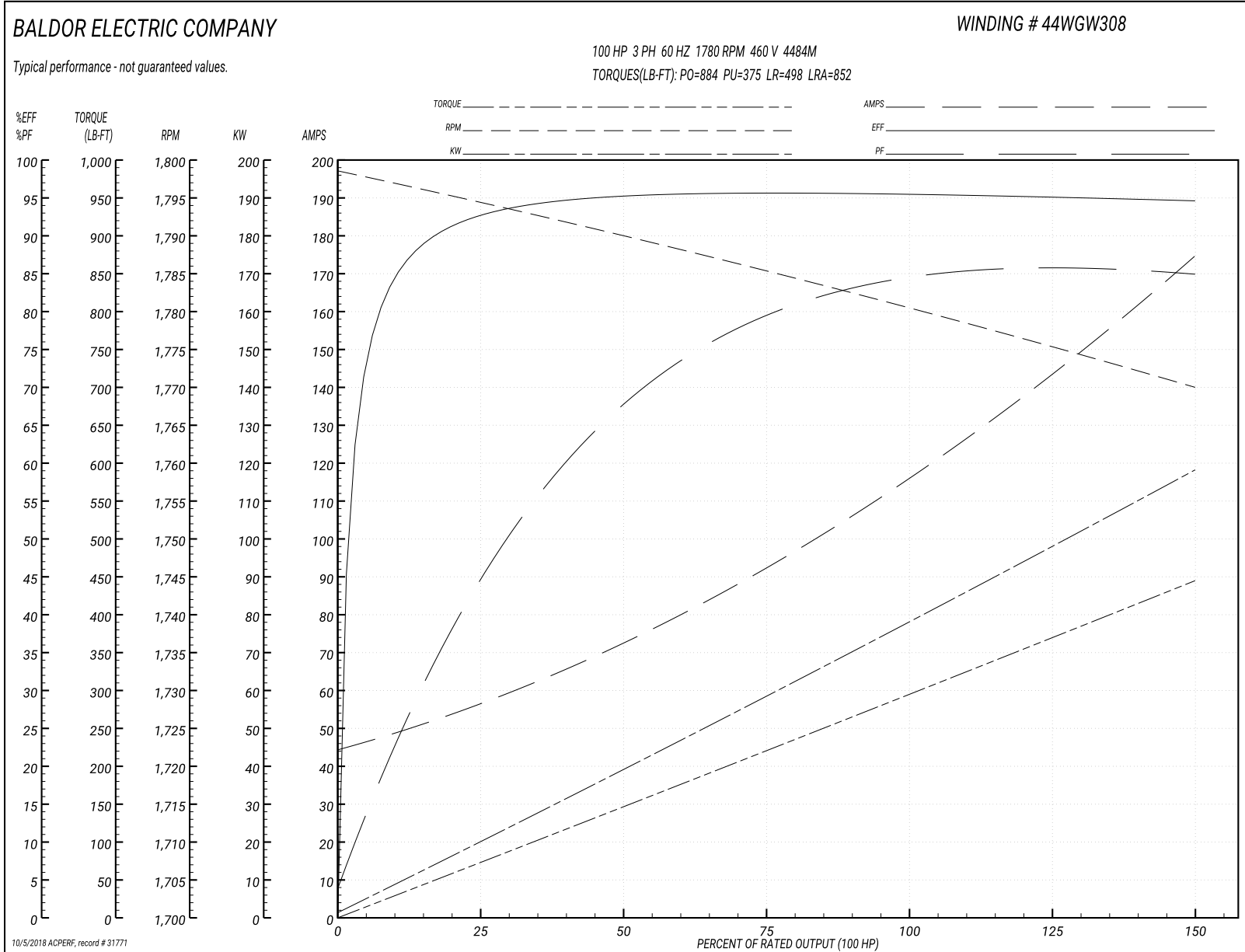
Winding: 44WGW308-R001	Type: 4484M	Enclosure: OPSB
-------------------------------	--------------------	------------------------

Nameplate Data				460 V, 60 Hz: High Voltage Connection	
Rated Output (HP)	100			Full Load Torque	295 LB-FT
Volts	230/460			Start Configuration	direct on line
Full Load Amps	236/118			Breakdown Torque	884 LB-FT
R.P.M.	1780			Pull-up Torque	375 LB-FT
Hz	60	Phase	3	Locked-rotor Torque	498 LB-FT
NEMA Design Code	A	KVA Code	H	Starting Current	852 A
Service Factor (S.F.)	1.15			No-load Current	46.4 A
NEMA Nom. Eff.	95.4	Power Factor	83	Line-line Res. @ 25°C	0.045551 Ω
Rating - Duty	40C AMB-CONT			Temp. Rise @ Rated Load	47°C
S.F. Amps				Temp. Rise @ S.F. Load	57°C
				Locked-rotor Power Factor	25.3
				Rotor inertia	15.9 LB-FT ²

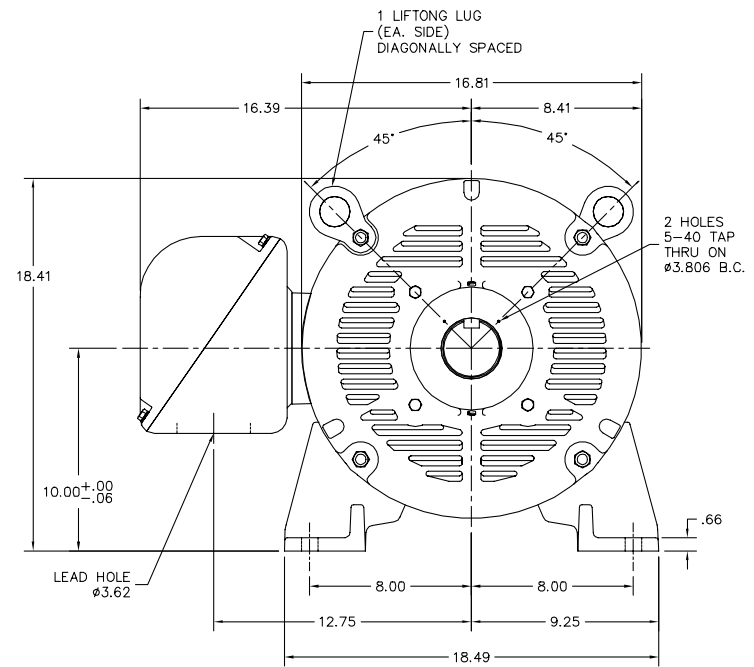
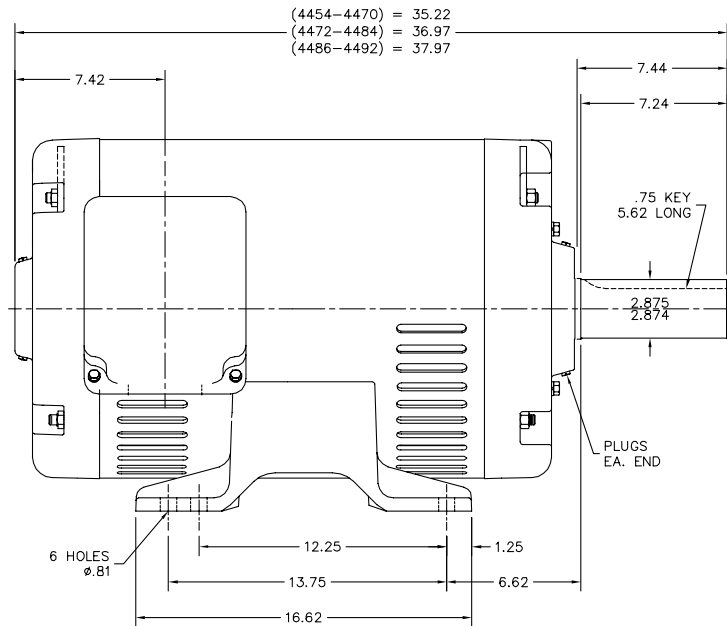
Load Characteristics 460 V, 60 Hz, 100 HP

% of Rated Load	25	50	75	100	125	150	S.F.
Power Factor	46	70	79	83	85	86	84
Efficiency	92.6	95.3	95.7	95.6	95.2	94.6	95.4
Speed	1794	1789.8	1785.5	1780.7	1775.5	1769.8	1778
Line amperes	54.2	70.6	92.8	118	145	173	134

Performance Graph at 460V, 60Hz, 100.0HP Typical performance - Not guaranteed values



44LYE066



44LYE066

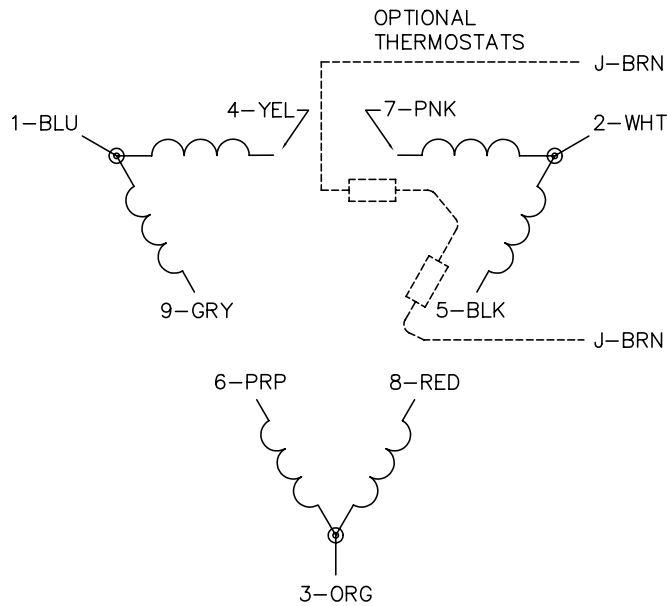
CUSTOMER IS RESPONSIBLE FOR DETERMINING THAT BALDOR'S PRODUCT WILL PERFORM SUITABLY IN THE INTENDED APPLICATION.

REV. DESC: ADDED MISSING DIMENSION		
REV. LTR: C	VERSION: 03	TDR: 000000B58752
FILE: \AAA\00079\703	REVISED: 09:17:56 06/18/2014	BY: ENNINDO
MTL: -		

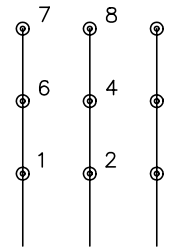
BALDOR

HORZ OPSB 404-5T HVAC W/1/2 SH GND MTG
SH 1 of 1

CD0180

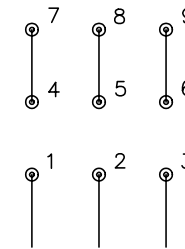


LOW VOLTAGE
(2D)



LINE

HIGH VOLTAGE
(1D)



LINE

NOTES:

1. INTERCHANGE ANY TWO LINE LEADS TO REVERSE ROTATION.
2. OPTIONAL THERMOSTATS ARE PROVIDED WHEN SPECIFIED.
3. ACTUAL NUMBER OF INTERNAL PARALLEL CIRCUITS MAY BE A MULTIPLE OF THOSE SHOWN ABOVE.
4. LEAD COLORS ARE OPTIONAL. LEADS MUST ALWAYS BE NUMBERED AS SHOWN.

REV. DESC: REVISE TO SHOW OPTIONAL COLORS

REV. LTR: C BY: JLP

REVISED: 01/21/99 2:28

TDR: 0171435

0810D0

FILE: AAA00005148

MDL: -

MTL: -

BALDOR ELECTRIC Co.

3PH, DV, 9 LEADS, DELTA CONNECTION

CD0180

Marketing maintained PDF of MN416:

<http://www.baldor.com/support/Literature/Load.ashx/MN416?ManNumber=MN416>