

BALDOR® • RELIANCE 

Product Information Packet

EHM3611T-5

3HP,1760RPM,3PH,60HZ,182T,3632M,TEFC,F1

Part Detail							
Revision:	K	Status:	PRD/A	Change #:		Proprietary:	No
Type:	AC	Elec. Spec:	36WGS582	CD Diagram:	CD0006	Mfg Plant:	
Mech. Spec:	36M965	Layout:	36LYM965	Poles:	04	Created Date:	10-05-2010
Base:	RG	Eff. Date:	01-16-2018	Leads:	3#16		

Specs			
Catalog Number:	EHM3611T-5	KVA Code:	K
Enclosure:	TEFC	Lifting Lugs:	No Lifting Lugs
Frame:	182T	Locked Bearing Indicator:	No Locked Bearing
Frame Material:	Steel	Motor Lead Quantity/Wire Size:	3 @ 16 AWG
Output @ Frequency:	3.000 HP @ 60 HZ	Motor Lead Exit:	Ko Box
Synchronous Speed @ Frequency:	1800 RPM @ 60 HZ	Motor Lead Termination:	Flying Leads
Voltage @ Frequency:	575.0 V @ 60 HZ	Motor Type:	3632M
XP Class and Group:	None	Mounting Arrangement:	F1
XP Division:	Not Applicable	Power Factor:	75
Agency Approvals:	UR	Product Family:	General Purpose
	CSA	Pulley End Bearing Type:	Ball
Auxillary Box:	No Auxillary Box	Pulley Face Code:	Standard
Auxillary Box Lead Termination:	None	Pulley Shaft Indicator:	Standard
Base Indicator:	Rigid	Rodent Screen:	None
Bearing Grease Type:	Polyrex EM (-20F +300F)	RoHS Status:	ROHS COMPLIANT
Blower:	None	Shaft Extension Location:	Pulley End
Current @ Voltage:	3.300 A @ 575.0 V	Shaft Ground Indicator:	No Shaft Grounding
Design Code:	B	Shaft Rotation:	Reversible

Drip Cover:	No Drip Cover	Shaft Slinger Indicator:	No Slinger
Duty Rating:	CONT	Speed Code:	Single Speed
Electrically Isolated Bearing:	Not Electrically Isolated	Motor Standards:	NEMA
Feedback Device:	NO FEEDBACK	Starting Method:	Direct on line
Front Face Code:	Standard	Thermal Device - Bearing:	NONE (OLD)
Front Shaft Indicator:	None	Thermal Device - Winding:	None
Heater Indicator:	No Heater	Vibration Sensor Indicator:	No Vibration Sensor
Insulation Class:	F	Winding Thermal 1:	None
Inverter Code:	Inverter Ready	Winding Thermal 2:	None

Nameplate NP2094E06B03	
CAT.NO.	EHM3611T-5
SPEC.	36M965S582G1
HP	3
VOLTS	575
AMPS	3.3
RPM	1760
FRAME	182T
	HZ 60
	PH 3
SER.F.	1.15
	CODE K
	DES B
	CL F
NEMA-NOM-EFF	89.5
	PF 75
RATING	40C AMB-CONT
CC	010A
	USABLE AT 208V
DE	6206
	ODE 6205
AUTO	N
	MANUAL N
	NONE Y
ENCL	TEFC
	SN
BLANK	

Parts List		
Part Number	Description	Quantity
SA204643	SA 36M965S582G1	1.000 EA
RA191888	RA 36M965S582G1	1.000 EA
36FN3000C01SP	EXFN, PLASTIC, 5.25 OD, .912 ID	1.000 EA
HA6362ZP	LIFTING LUG FOR 36 FRAME MOTORS.	2.000 EA
36CB3004	36 CB CASTING W/1.09 DIA LEAD HOLE @ 6:0	1.000 EA
36GS1000SP	GASKET-CONDUIT BOX, .06 THICK #SV-330 LE	1.000 EA
51XB1016A08	10-16X 1/2HXWSSLD SERTYB	2.000 EA
11XW1032G06	10-32 X .38, TAPTITE II, HEX WSHR SLTD U	1.000 EA
36EP3104A01	FREP MACH ASSEMBLY FOR ROUTING	1.000 EA
HW4500A19	1/4-28X1/4 SLOTTED PLUG F/S	1.000 EA
HW5100A05	WVY WSHR F/205 & 304 BRGS	1.000 EA
36EP3100B98	PU ENDPLATE, MACH	1.000 EA
91XN0540J08	SCREW, 5-40 X 1/2", FHC, AS	4.000 EA
HW4500A19	1/4-28X1/4 SLOTTED PLUG F/S	1.000 EA
XY2520A12	1/4-20 HEX NUT, DIRECTIONAL SERRATIONS	4.000 EA
51XB1214A16	12-14X1.00 HXWSSLD SERTYB	1.000 EA
36FH4009A124	IEC FH W/GRSR,GRILL,NO DIMPLES,PRIMER	1.000 EA
51XW1032A06	10-32 X .38, TAPTITE II, HEX WSHR SLTD S	3.000 EA
36CB4516	36 LIPPED CB LID - GALVANNEAL	1.000 EA
37GS1001SP	GASKET, CONDUIT BOX LID, .06 THICK LEXID	1.000 EA
51XW0832A07	8-32 X .44, TAPTITE II, HEX WSHR SLTD SE	4.000 EA
HW2501E16	KEY, 1/4 SQ X 1.750	1.000 EA
HA7000A02	KEY RETAINER RING, 1 1/8 DIA, 1 3/8 DIA	1.000 EA
LB1115N	LABEL,LIFTING DEVICE (ON ROLLS)	1.000 EA

Parts List (continued)		
Part Number	Description	Quantity
MJ1000A02	GREASE, POLYREX EM EXXON (USe 4824-15A)	0.050 LB
HA3101A45	THRUBOLT- 1/4-20 X 11.125 X	4.000 EA
MG1000G27	MED CHARCOAL METALLIC GREY 400-0096	0.022 GA
LC0006	CONNECTION LABEL	1.000 EA
NP2094E06B03	NP LABEL W/BARCODE (PREM EFF HVAC MTR)	1.000 EA
36PA1000	PKG GRP, PRINT PK1016A06	1.000 EA
MN416A01	TAG-INSTAL-MAINT no wire (1200/bx) 5/18	1.000 EA

AC Induction Motor Performance Data

Record # 32437 - Typical performance - not guaranteed values

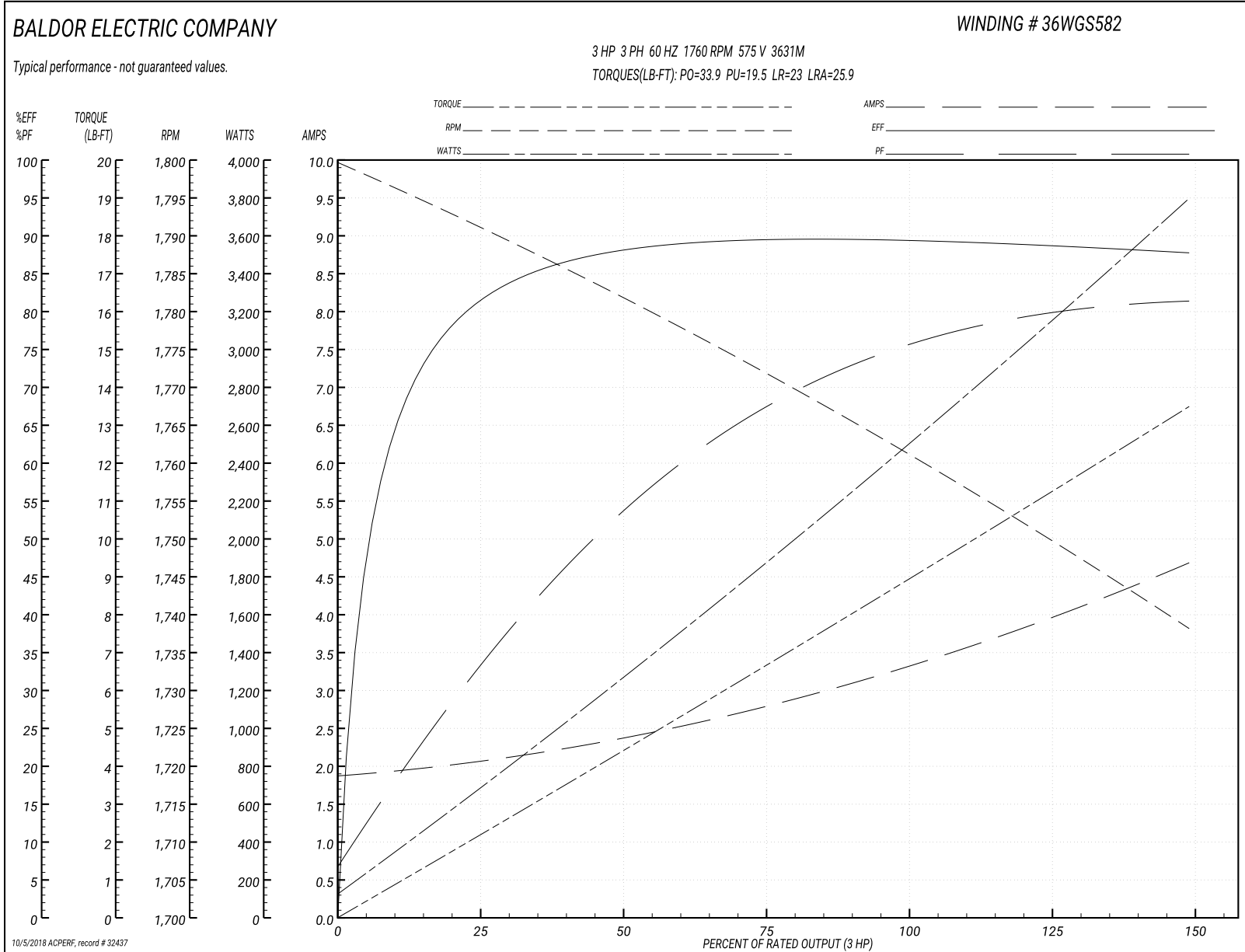
Winding: 36WGS582-R001	Type: 3631M	Enclosure: TEFC
-------------------------------	--------------------	------------------------

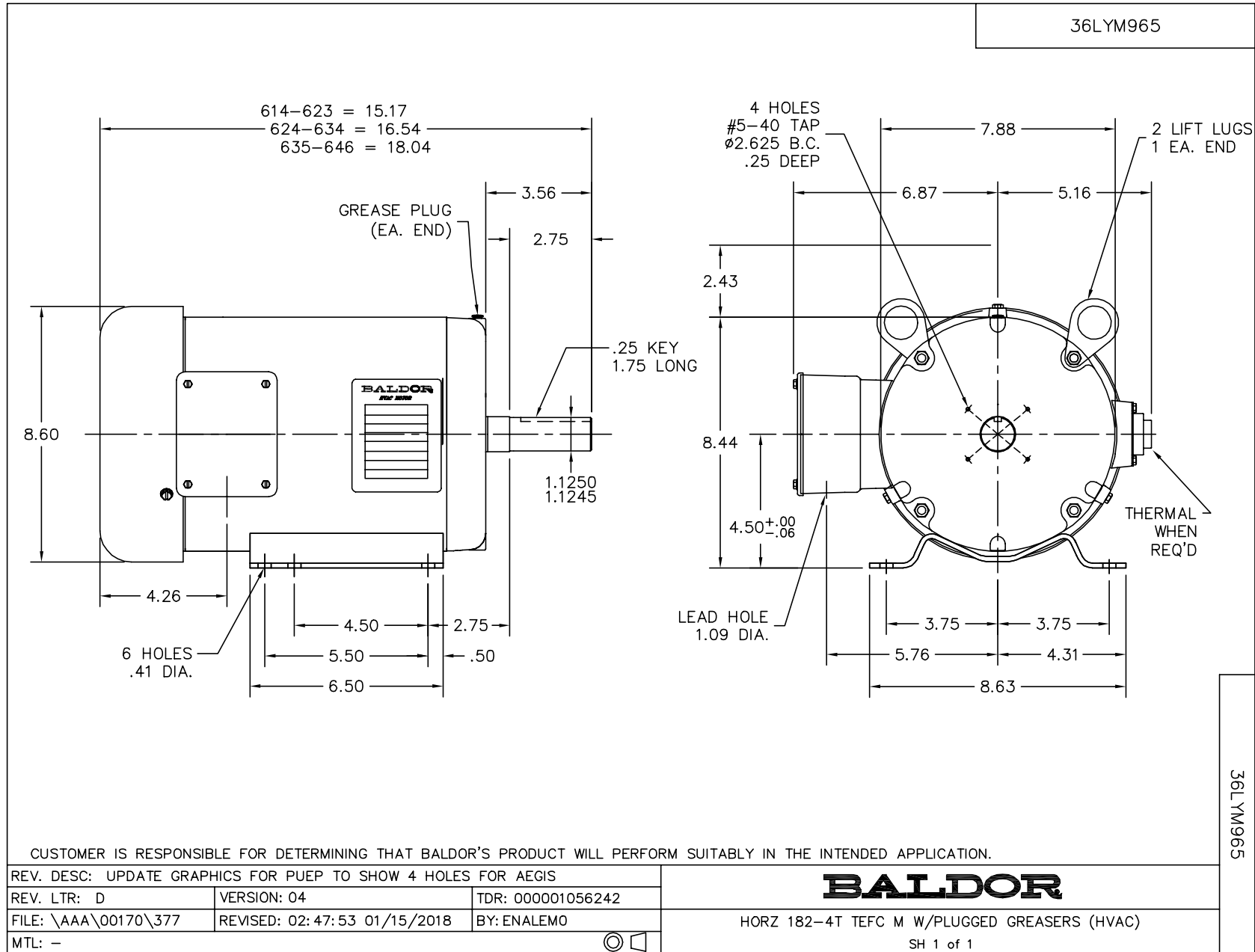
Nameplate Data				575 V, 60 Hz: Single Voltage Motor	
Rated Output (HP)	3			Full Load Torque	8.88 LB-FT
Volts	575			Start Configuration	direct on line
Full Load Amps	3.3			Breakdown Torque	33.9 LB-FT
R.P.M.	1760			Pull-up Torque	19.5 LB-FT
Hz	60	Phase	3	Locked-rotor Torque	23 LB-FT
NEMA Design Code	B	KVA Code	K	Starting Current	25.9 A
Service Factor (S.F.)	1.15			No-load Current	1.9 A
NEMA Nom. Eff.	89.5	Power Factor	75	Line-line Res. @ 25°C	6 Ω
Rating - Duty	40C AMB-CONT			Temp. Rise @ Rated Load	40°C
S.F. Amps				Temp. Rise @ S.F. Load	48°C
				Locked-rotor Power Factor	43
				Rotor inertia	0.289 LB-FT ²

Load Characteristics 575 V, 60 Hz, 3 HP

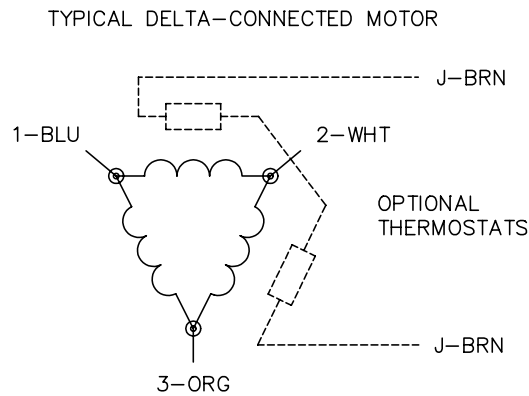
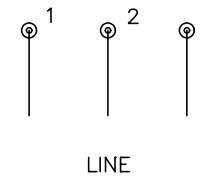
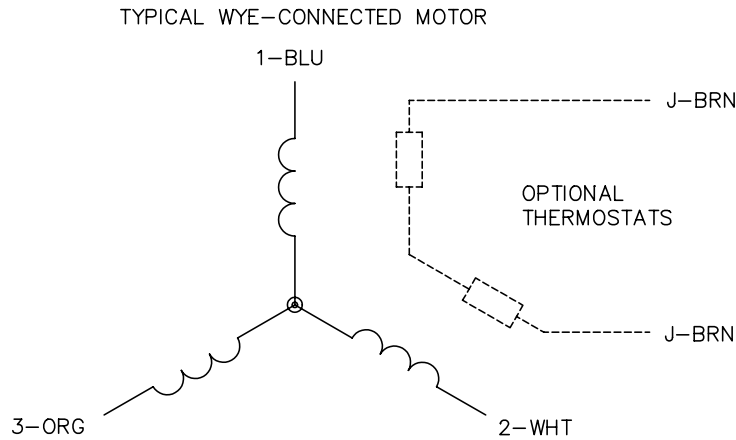
% of Rated Load	25	50	75	100	125	150	S.F.
Power Factor	33	54	67	75	79	82	77
Efficiency	80.5	87.7	89.5	89.5	88.9	87.6	89.1
Speed	1791	1782	1772	1762	1750	1738	1755
Line amperes	2.03	2.34	2.77	3.34	3.97	4.66	3.72

Performance Graph at 575V, 60Hz, 3.0HP Typical performance - Not guaranteed values





CD0006



NOTES:

1. THREE LEAD MOTOR MAY BE EITHER WYE CONNECTED OR DELTA CONNECTED.
2. INTERCHANGE ANY TWO LINE LEADS TO REVERSE ROTATION.
3. OPTIONAL THERMOSTATS ARE PROVIDED WHEN SPECIFIED.
4. ACTUAL NUMBER OF INTERNAL PARALLEL CIRCUITS MAY VARY.
5. LEAD COLORS ARE OPTIONAL. LEADS MUST BE NUMBERED AS SHOWN.

REV. DESC: REVISE TO SHOW OPTIONAL COLORS			
REV. LTR: D	BY: JLP	REVISED: 01/21/99 4:02	TDR: 0171435
9000D		FILE: AAA00005141	MDL: -
		MTL: -	

BALDOR ELECTRIC Co.

3PH, SV, 3 LEADS, WYE OR DELTA CONNECTED

CD0006