

BALDOR® • RELIANCE 

Product Information Packet

EJMM2546T

60HP,3540RPM,3PH,60HZ,326JM,4250M,OPSB,F

Part Detail							
Revision:	E	Status:	PRD/A	Change #:		Proprietary:	No
Type:	AC	Elec. Spec:	42WGW410	CD Diagram:	CD0180	Mfg Plant:	
Mech. Spec:	42F59	Layout:	42LYF059	Poles:	02	Created Date:	06-05-2015
Base:	RG	Eff. Date:	08-21-2018	Leads:	9#6		

Specs			
Catalog Number:	EJMM2546T	Inverter Code:	Inverter Ready
Enclosure:	OPSB	KVA Code:	G
Frame:	326JM	Lifting Lugs:	Standard Lifting Lugs
Frame Material:	Steel	Locked Bearing Indicator:	Locked Bearing
Output @ Frequency:	60.000 HP @ 60 HZ	Motor Lead Quantity/Wire Size:	9 @ 6 AWG
Synchronous Speed @ Frequency:	3600 RPM @ 60 HZ	Motor Lead Exit:	Ko Box
Voltage @ Frequency:	230.0 V @ 60 HZ	Motor Lead Termination:	Flying Leads
	460.0 V @ 60 HZ	Motor Type:	4250M
Agency Approvals:	CSA	Mounting Arrangement:	F1
	CSA EEV	Power Factor:	89
	UR	Product Family:	General Purpose
Auxillary Box:	No Auxillary Box	Pulley End Bearing Type:	Ball
Auxillary Box Lead Termination:	None	Pulley Face Code:	C-Face
Base Indicator:	Rigid	Pulley Shaft Indicator:	Tapped & Key
Bearing Grease Type:	Polyrex EM (-20F +300F)	Rodent Screen:	Included
Blower:	None	Shaft Extension Location:	Pulley End
Current @ Voltage:	136.000 A @ 230.0 V	Shaft Ground Indicator:	No Shaft Grounding
	68.000 A @ 460.0 V	Shaft Rotation:	Reversible

Design Code:	A	Shaft Slinger Indicator:	Shaft Slinger
Drip Cover:	No Drip Cover	Speed Code:	Single Speed
Duty Rating:	CONT	Motor Standards:	NEMA
Electrically Isolated Bearing:	Not Electrically Isolated	Starting Method:	Direct on line
Feedback Device:	NO FEEDBACK	Thermal Device - Bearing:	NONE (OLD)
Front Face Code:	Standard	Thermal Device - Winding:	None
Front Shaft Indicator:	None	Vibration Sensor Indicator:	No Vibration Sensor
Heater Indicator:	No Heater	Winding Thermal 1:	None
Insulation Class:	F	Winding Thermal 2:	None

Nameplate NP2138L											
CAT.NO.	EJMM2546T			P/N				ENCLOSURE	OPSB		
SPEC.	42F059W410G4		CC	010A	FRAME	326JM		S/N			
HP	60			CLASS	F	HZ	60				
RPM	3540		PH	3	DES	A					
VOLT	230/460				KVA-CODE	G		ODE BRG	6311	DE BRG	6312
AMP	136/68			USABLE AT 208V							
RATING	40C AMB-CONT			GREASE	POLYREX EM						
NEMA-NOM-EFF	93.6	PF	89	SER.F.	1.15						
HTR-VOLTS			HTR-AMPS								

Parts List		
Part Number	Description	Quantity
SA302190	SA 42F059W410G4	1.000 EA
RA289276	RA 42F059W410G4	1.000 EA
S/P107-000-004	SUPER-E(284 FR. & UP)-CL PLANT,POLYREX E	1.000 EA
HA6360	LIFTING LUG FOR 42 FRAME MOTORS.	2.000 EA
HA6017	CAST ADAPTER, 40,42 KOBX	1.000 EA
19XW3118A12	.31-18 X .75 HEX WASHER HEAD TAPTITE II	2.000 EA
HW1001A31	LOCKWASHER 5/16, ZINC PLT.591 OD, .319 I	2.000 EA
WD1000B25	GND LUG, BURNDY L125HP OR T&B L125HP-BB	1.000 EA
19XW3118G08	.31-18X.50,HEX WSHR HD,TAPTITE 2,GREEN	1.000 EA
10CB3001	CONDUIT BOX CAST W/2.500 LEAD HOLE	1.000 EA
19XW3118A12	.31-18 X .75 HEX WASHER HEAD TAPTITE II	4.000 EA
HW1001A31	LOCKWASHER 5/16, ZINC PLT.591 OD, .319 I	4.000 EA
42EP3200A01	FR ENDPLATE, MACH	1.000 EA
HA1108A01	RODENT SCREEN	1.000 EA
51XW1032A06	10-32 X .38, TAPTITE II, HEX WSHR SLTD S	4.000 EA
HW5100A13	W4627-047 WVY WSHR	1.000 EA
42EP1300A16	PU ENDPLATE, MACH	1.000 EA
HA1165A01	RODENT SCREEN FOR 42 PU. C-FACE EP (INSI	1.000 EA
51XW1032A06	10-32 X .38, TAPTITE II, HEX WSHR SLTD S	4.000 EA
10XN3118K40	5/16-18 X 2.50" HEX HD, GRADE 5	4.000 EA
HW1001A31	LOCKWASHER 5/16, ZINC PLT.591 OD, .319 I	4.000 EA
XY5013A12	NUT,1/2-13,HEX,STEEL,ZINCPLATED	8.000 EA
10CB3500SP	CONDUIT BOX LID, CAST	1.000 EA
51XW2520A12	.25-20 X .75, TAPTITE II, HEX WSHR SLTD	4.000 EA

Parts List (continued)		
Part Number	Description	Quantity
HW4600B41	V-RING SLINGER 2.125 X 2.880 X 0.280	1.000 EA
HW2501E22	KEY, 1/4 SQ X 2.500	1.000 EA
LB1115N	LABEL,LIFTING DEVICE (ON ROLLS)	1.000 EA
HW4500A03	GREASE FITTING, .125 NPT 1610(ALEMITE) 8	1.000 EA
HW4500A17	317400 ALEMITE GREASE RELIEF	1.000 EA
HA4051A00	PLASTIC CAP FOR GREASE FITTING	1.000 EA
MJ1000A02	GREASE, POLYREX EM EXXON (USe 4824-15A)	0.030 LB
HW4500A03	GREASE FITTING, .125 NPT 1610(ALEMITE) 8	1.000 EA
HW4500A17	317400 ALEMITE GREASE RELIEF	1.000 EA
HA4051A00	PLASTIC CAP FOR GREASE FITTING	1.000 EA
MG1000Y03	MUNSELL 2.53Y 6.70/ 4.60, GLOSS 20,	0.080 GA
85XU0407S04	4X1/4 U DRIVE PIN STAINLESS	4.000 EA
42AD2001C01	BAFFLE PLATE 42 OPEN, SLOTTED BAND MTRS	1.000 EA
42AD2001C01	BAFFLE PLATE 42 OPEN, SLOTTED BAND MTRS	1.000 EA
HA3151A02	THRUBOLT STUD 1/2-13 X 19.25	4.000 EA
LB1119N	WARNING LABEL	1.000 EA
LC0181	CONNECTION LABEL	1.000 EA
NP2138L	ALUM SUPER-E UL CSA-EEV PREM CC (300	1.000 EA
42PA1000	PACKAGING GROUP PRINT PK1024A06	1.000 EA
MN416A01	TAG-INSTAL-MAINT no wire (1200/bx) 5/18	1.000 EA

AC Induction Motor Performance Data

Record # 33331 - Typical performance - not guaranteed values

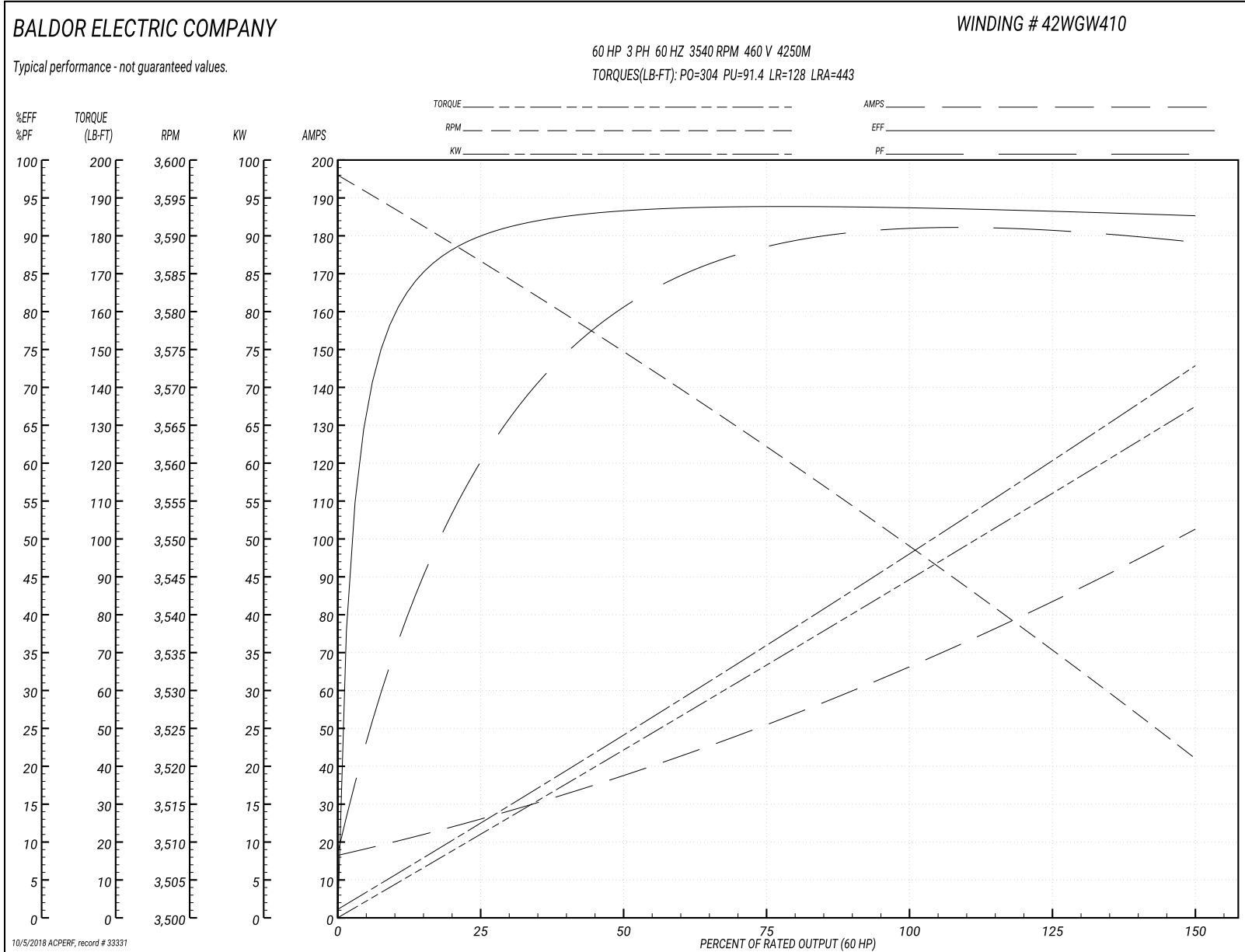
Winding: 42WGW410-R001	Type: 4250M	Enclosure: OPSB
-------------------------------	--------------------	------------------------

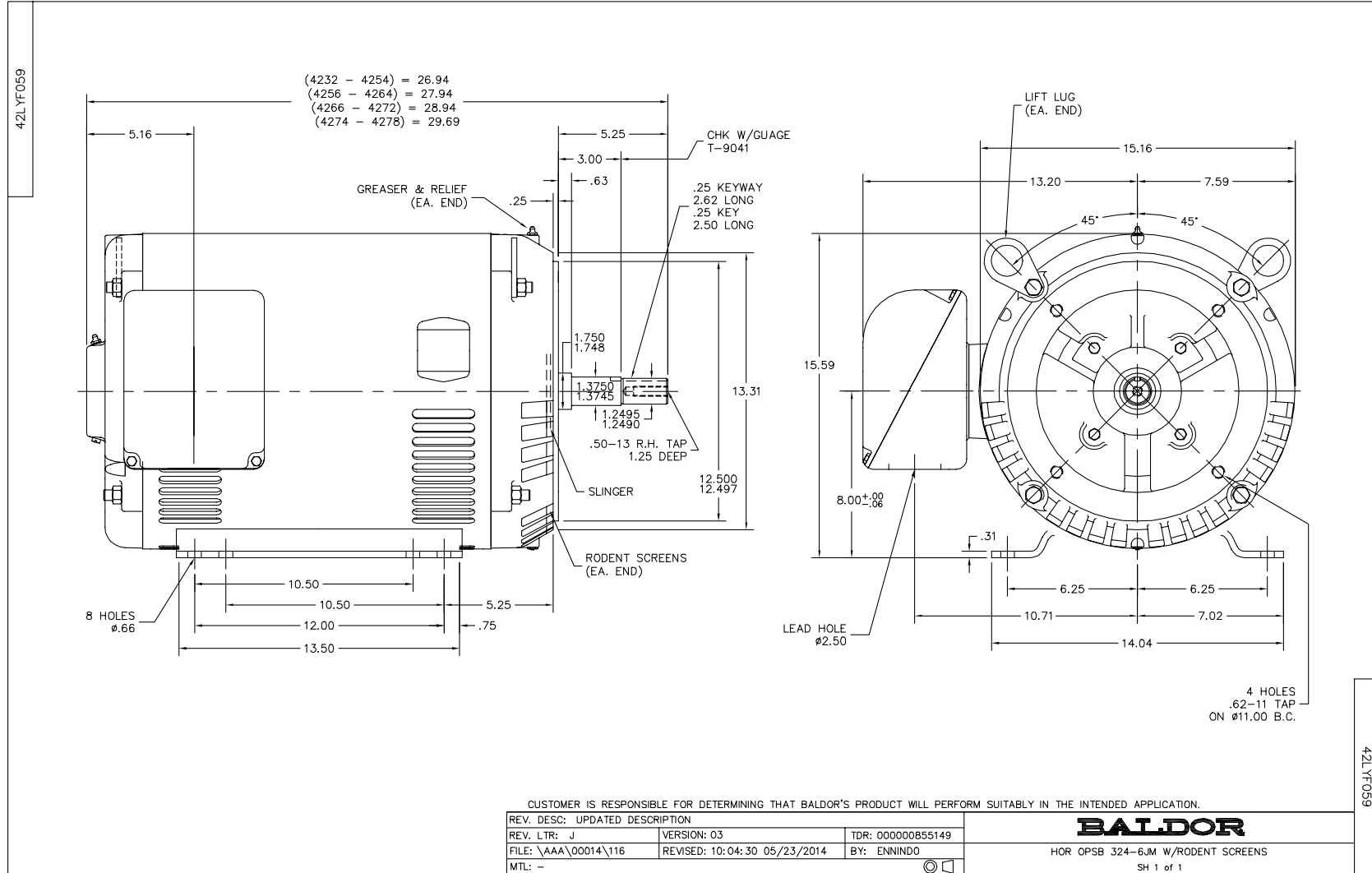
Nameplate Data				460 V, 60 Hz: High Voltage Connection	
Rated Output (HP)	60			Full Load Torque	88.9 LB-FT
Volts	230/460			Start Configuration	direct on line
Full Load Amps	136/68			Breakdown Torque	304 LB-FT
R.P.M.	3540			Pull-up Torque	91.4 LB-FT
Hz	60	Phase	3	Locked-rotor Torque	128 LB-FT
NEMA Design Code	A	KVA Code	G	Starting Current	443 A
Service Factor (S.F.)	1.15			No-load Current	17.7 A
NEMA Nom. Eff.	93.6	Power Factor	89	Line-line Res. @ 25°C	0.09668 Ω
Rating - Duty	40C AMB-CONT			Temp. Rise @ Rated Load	35°C
S.F. Amps				Temp. Rise @ S.F. Load	43°C

Load Characteristics 460 V, 60 Hz, 60 HP

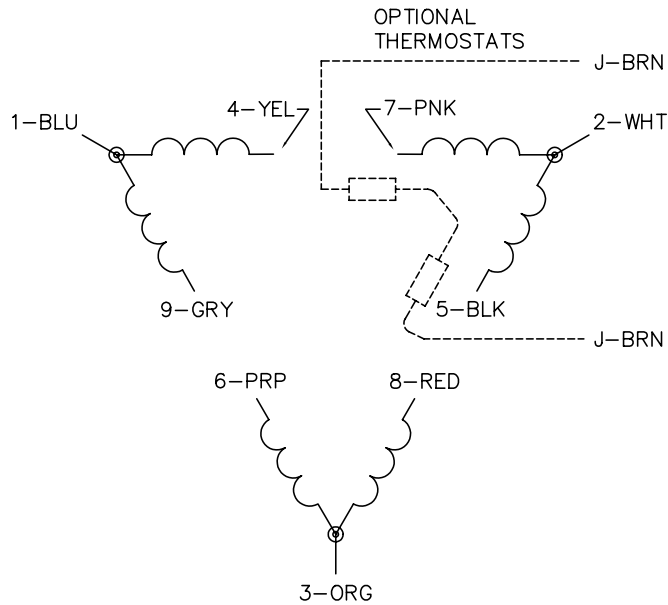
% of Rated Load	25	50	75	100	125	150	S.F.
Power Factor	65	82	88	90	90	89	90
Efficiency	90.7	93.7	94.2	93.9	93.3	92.5	93.5
Speed	3585.3	3574.5	3562.4	3549.9	3535.7	3520.5	3541
Line amperes	24.4	36.9	51.5	66.9	83.7	102	77

Performance Graph at 460V, 60Hz, 60.0HP Typical performance - Not guaranteed values

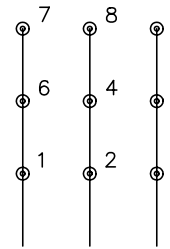




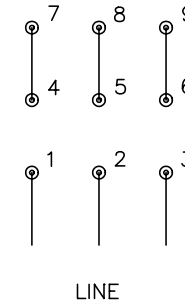
CD0180



LOW VOLTAGE
(2D)



HIGH VOLTAGE
(1D)



NOTES:

1. INTERCHANGE ANY TWO LINE LEADS TO REVERSE ROTATION.
2. OPTIONAL THERMOSTATS ARE PROVIDED WHEN SPECIFIED.
3. ACTUAL NUMBER OF INTERNAL PARALLEL CIRCUITS MAY BE A MULTIPLE OF THOSE SHOWN ABOVE.
4. LEAD COLORS ARE OPTIONAL. LEADS MUST ALWAYS BE NUMBERED AS SHOWN.

REV. DESC: REVISE TO SHOW OPTIONAL COLORS			
REV. LTR: C	BY: JLP	REVISED: 01/21/99 2:28	TDR: 0171435
0810D0		FILE: AAA00005148	MDL: -
		MTL: -	

BALDOR ELECTRIC Co.

3PH, DV, 9 LEADS, DELTA CONNECTION

CD0180