

BALDOR® • RELIANCE 

Product Information Packet

EL11307

.75HP, 1750RPM, 1PH, 60HZ, 56, 3524LC, ODP, F1

Part Detail							
Revision:	G	Status:	PRD/A	Change #:		Proprietary:	No
Type:	AC	Elec. Spec:	35WGS679	CD Diagram:	CD0055	Mfg Plant:	
Mech. Spec:	35M497	Layout:	35LYM497	Poles:	04	Created Date:	03-25-2014
Base:	RG	Eff. Date:	08-21-2017	Leads:	6#18		

Specs			
Catalog Number:	EL11307	Inverter Code:	Not Inverter
Enclosure:	ODP	KVA Code:	M
Frame:	56	Lifting Lugs:	No Lifting Lugs
Frame Material:	Steel	Locked Bearing Indicator:	No Locked Bearing
Output @ Frequency:	.750 HP @ 60 HZ	Motor Lead Quantity/Wire Size:	6 @ 18 AWG
Synchronous Speed @ Frequency:	1800 RPM @ 60 HZ	Motor Lead Exit:	Ko Box
Voltage @ Frequency:	115.0 V @ 60 HZ	Motor Lead Termination:	Flying Leads
	230.0 V @ 60 HZ	Motor Type:	3524LC
XP Class and Group:	None	Mounting Arrangement:	F1
XP Division:	Not Applicable	Power Factor:	90
Agency Approvals:	UR	Product Family:	General Purpose
	CSA	Pulley End Bearing Type:	Ball
Auxillary Box:	No Auxillary Box	Pulley Face Code:	Standard
Auxillary Box Lead Termination:	None	Pulley Shaft Indicator:	Standard
Base Indicator:	Rigid	Rodent Screen:	None
Bearing Grease Type:	Polyrex EM (-20F +300F)	RoHS Status:	ROHS COMPLIANT
Blower:	None	Shaft Extension Location:	Pulley End
Current @ Voltage:	3.500 A @ 230.0 V	Shaft Ground Indicator:	No Shaft Grounding

	7.000 A @ 115.0 V	Shaft Rotation:	Reversible
Design Code:	N	Shaft Slinger Indicator:	No Slinger
Drip Cover:	No Drip Cover	Speed Code:	Single Speed
Duty Rating:	CONT	Motor Standards:	NEMA
Electrically Isolated Bearing:	Not Electrically Isolated	Starting Method:	Direct on line
Feedback Device:	NO FEEDBACK	Thermal Device - Bearing:	NONE (OLD)
Front Face Code:	Standard	Thermal Device - Winding:	None
Front Shaft Indicator:	None	Vibration Sensor Indicator:	No Vibration Sensor
Heater Indicator:	No Heater	Winding Thermal 1:	None
Insulation Class:	F	Winding Thermal 2:	None

Nameplate NP3155L												
CAT.NO.	EL11307											
SPEC.	35M497S679G1											
HP	.75											
VOLTS	115/230											
AMP	7/3.5											
RPM	1750											
FRAME	56					HZ	60			PH	1	
SER.F.	1.25					CODE	M		DES	N	CL	F
F.L. AVG. EFF.	81.8					PF	90					
RATING	40C AMB-CONT											
CC												USABLE AT 208V
DE	6205					ODE	6203					
ENCL	ODP					SN						
	SFA 8.4/4.2											

Parts List		
Part Number	Description	Quantity
SA278592	SA 35M497S679G1	1.000 EA
RA265123	RA 35M497S679G1	1.000 EA
OC3035F09SP	CYL OIL CAP 35MFD/370V	1.000 EA
EC1540A04	ELEC CAP, 540-648 MFD, 125V, 1.81D X 4.	1.000 EA
NS2512A01	INSULATOR, CONDUIT BOX X	1.000 EA
35CB3007	35 CB CASTING W/.88 DIA. LEAD HOLE	1.000 EA
51XB1016A07	10-16 X 7/16 HXWSSLD SERTYB	2.000 EA
11XW1032G06	10-32 X .38, TAPTITE II, HEX WSHR SLTD U	1.000 EA
51XW0832A07	8-32 X .44, TAPTITE II, HEX WSHR SLTD SE	2.000 EA
35EP3209G00	MASTER ODE,203 BRG	1.000 EA
NS2501A02	INSULATOR, CAPACITOR BOX	1.000 EA
35CB3801	CAPACITOR COVER, CAST	1.000 EA
HA7010	CAPACITOR RETENTION CLAMP	1.000 EA
51XB1016A08	10-16X 1/2HXWSSLD SERTYB	2.000 EA
HW5100A03	WAVY WASHER (W1543-017)	1.000 EA
35EP3210B00	MASTER DE,205 BRG,1.000SH	1.000 EA
XY1032A02	10-32 HEX NUT DIRECTIONAL SERRATION	4.000 EA
35CB4521	35 LIPPED CB LID (GALV & PHOSPH)	1.000 EA
51XW0832A07	8-32 X .44, TAPTITE II, HEX WSHR SLTD SE	4.000 EA
HW2501D13	KEY, 3/16 SQ X 1.375	1.000 EA
HA7000A04	KEY RETAINER 0.625 DIA SHAFTS	1.000 EA
85XU0407S04	4X1/4 U DRIVE PIN STAINLESS	2.000 EA
WD1000A15	3-520132-2 AMP FLAG (4M/RL NON-CANC/NON-	4.000 EA
MJ1000A02	GREASE, POLYREX EM EXXON (USe 4824-15A)	0.050 LB

Parts List (continued)		
Part Number	Description	Quantity
HA3100A18	THRUBOLT 10-32 X 9.250	4.000 EA
SP5181A01	MODEL 35 LC TORQ STAT SWITCH LEAD ASSY	1.000 EA
MG1000Y03	MUNSELL 2.53Y 6.70/ 4.60, GLOSS 20,	0.017 GA
LC0001A01	CONN LABEL / WARNING LABEL (LC0001 / LB1	1.000 EA
NP3155L	ALUM SUPER-E UL CSA CC "SEMS"	1.000 EA
35PA1066	PKG GRP, PRINT PK1008A06	1.000 EA
MN416A01	TAG-INSTAL-MAINT no wire (1200/bx) 5/18	1.000 EA
PE-0000001	ZRTG PE ASSEMBLY	1.000 EA
FE-0000001	ZRTG FE ASSEMBLY	1.000 EA

AC Induction Motor Performance Data

Record # 45003 - Typical performance - not guaranteed values

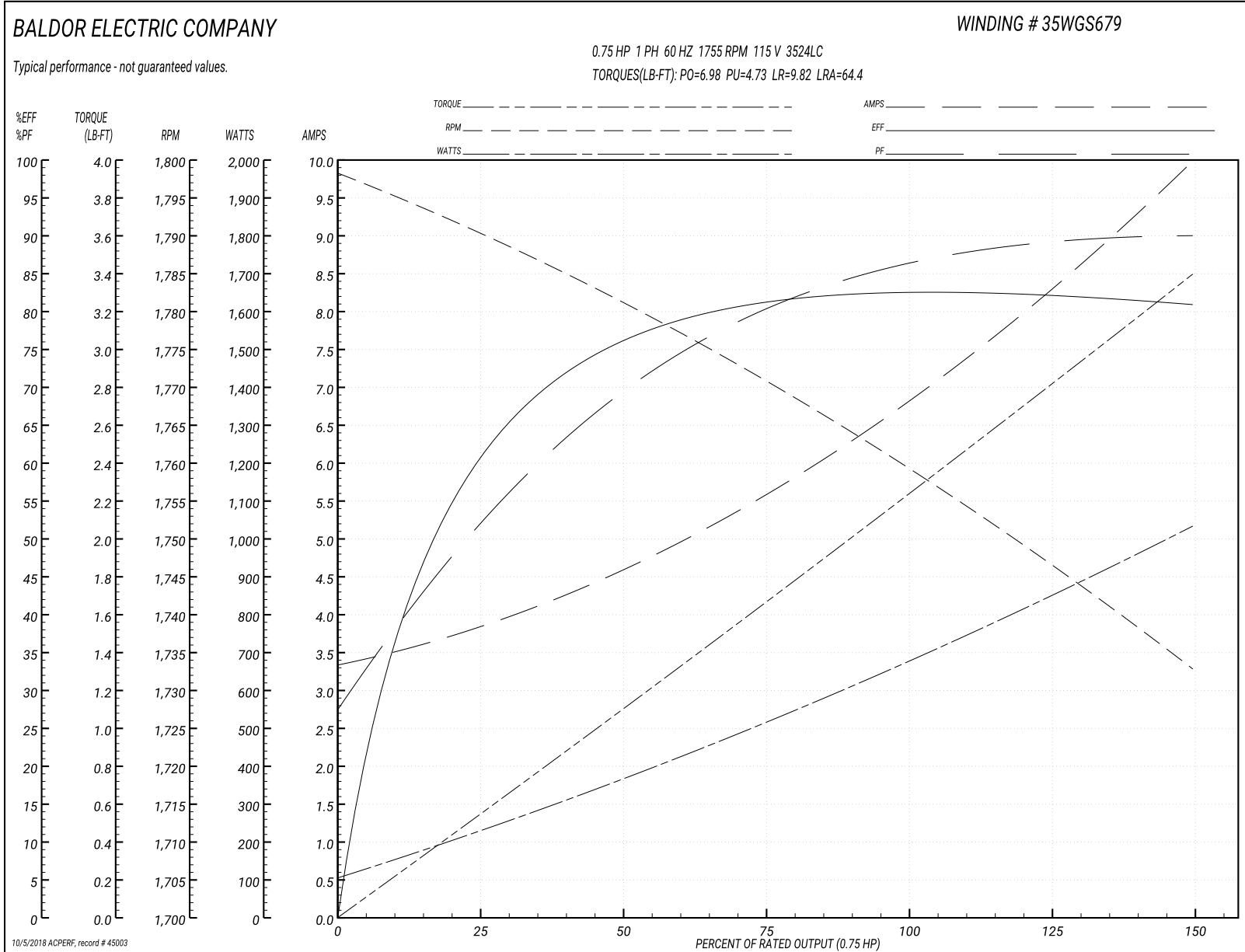
Winding: 35WGS679-R005	Type: 3524LC	Enclosure: OPEN
-------------------------------	---------------------	------------------------

Nameplate Data				115 V, 60 Hz: Low Voltage Connection	
Rated Output (HP)	.75			Full Load Torque	2.24 LB-FT
Volts	115/208-230			Start Configuration	direct on line
Full Load Amps	6.5/3.4-3.25			Breakdown Torque	6.98 LB-FT
R.P.M.	1755			Pull-up Torque	4.73 LB-FT
Hz	60	Phase	1	Locked-rotor Torque	9.82 LB-FT
NEMA Design Code	N	KVA Code	M	Starting Current	64.4 A
Service Factor (S.F.)	1.25			No-load Current	3.41 A
NEMA Nom. Eff.	84	Power Factor	90	Line-line Res. @ 25°C	0.75721 Ω A Ph 2.4218 Ω B Ph
Rating - Duty	40C AMB-CONT			Temp. Rise @ Rated Load	20°C
S.F. Amps	7.9/4.2-3.95			Temp. Rise @ S.F. Load	25°C

Load Characteristics 115 V, 60 Hz, 0.75 HP

% of Rated Load	25	50	75	100	125	150	S.F.
Power Factor	53	71	80	85	89	91	89
Efficiency	61.6	75.9	81.3	82.5	82.6	80.9	82.6
Speed	1791	1781	1770.4	1759.3	1747.4	1732.5	1747
Line amperes	3.76	4.52	5.6	6.91	8.28	9.95	8.28

Performance Graph at 115V, 60Hz, 0.75HP Typical performance - Not guaranteed values



AC Induction Motor Performance Data

Record # 49401 - Typical performance - not guaranteed values

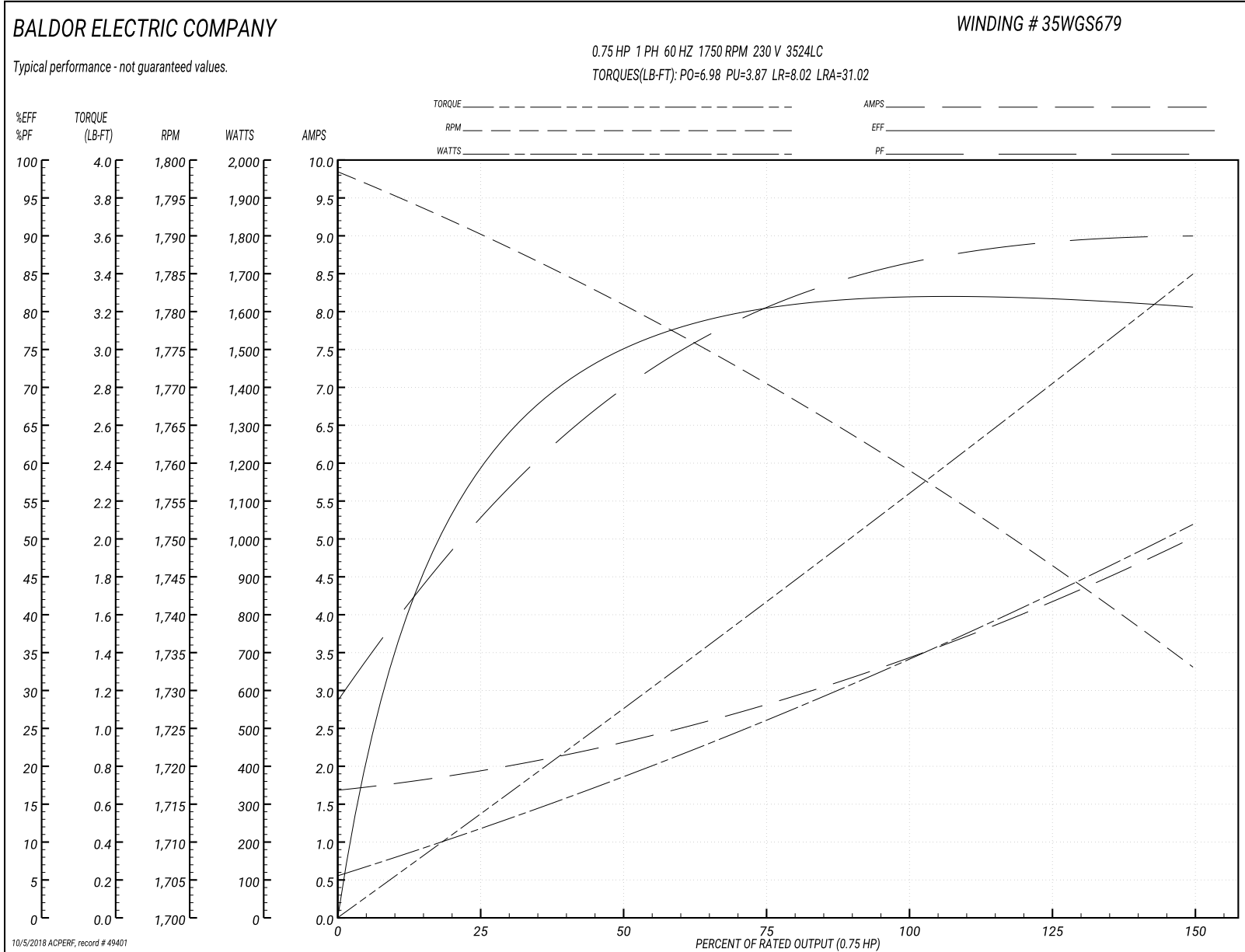
Winding: 35WGS679-R007	Type: 3524LC	Enclosure: OPEN
-------------------------------	---------------------	------------------------

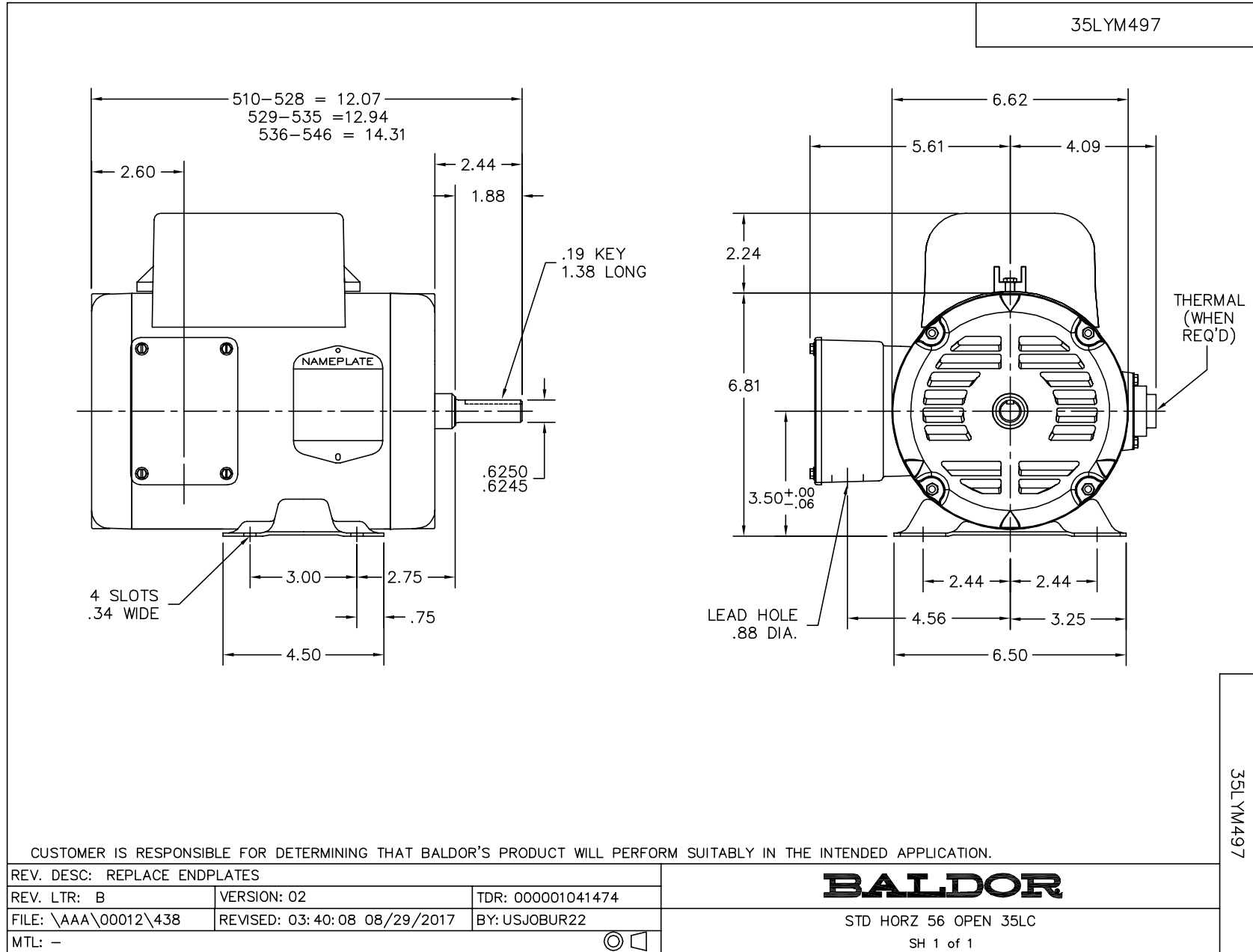
Nameplate Data				230 V, 60 Hz: High Voltage Connection	
Rated Output (HP)	.75			Full Load Torque	2.24 LB-FT
Volts	115/230			Start Configuration	direct on line
Full Load Amps	7/3.5			Breakdown Torque	6.98 LB-FT
R.P.M.	1750			Pull-up Torque	3.87 LB-FT
Hz	60	Phase	1	Locked-rotor Torque	8.02 LB-FT
NEMA Design Code	N	KVA Code	M	Starting Current	31.02 A
Service Factor (S.F.)	1.25			No-load Current	1.72 A
NEMA Nom. Eff.	81.8	Power Factor	90	Line-line Res. @ 25°C	3.12 Ω A Ph 2.3 Ω B Ph
Rating - Duty	40C AMB-CONT			Temp. Rise @ Rated Load	21°C
S.F. Amps	8.4/4.2			Temp. Rise @ S.F. Load	26°C
				Rotor inertia	0.142 LB-FT ²

Load Characteristics 230 V, 60 Hz, 0.75 HP

% of Rated Load	25	50	75	100	125	150	S.F.
Power Factor	54	71	80	85	89	90	89
Efficiency	60.5	74.6	80.3	81.9	82.1	80.5	82.1
Speed	1791	1781	1770	1759	1747	1733	1747
Line amperes	1.9	2.28	2.82	3.48	4.16	5	4.16

Performance Graph at 230V, 60Hz, 0.75HP Typical performance - Not guaranteed values





CUSTOMER IS RESPONSIBLE FOR DETERMINING THAT BALDOR'S PRODUCT WILL PERFORM SUITABLY IN THE INTENDED APPLICATION.

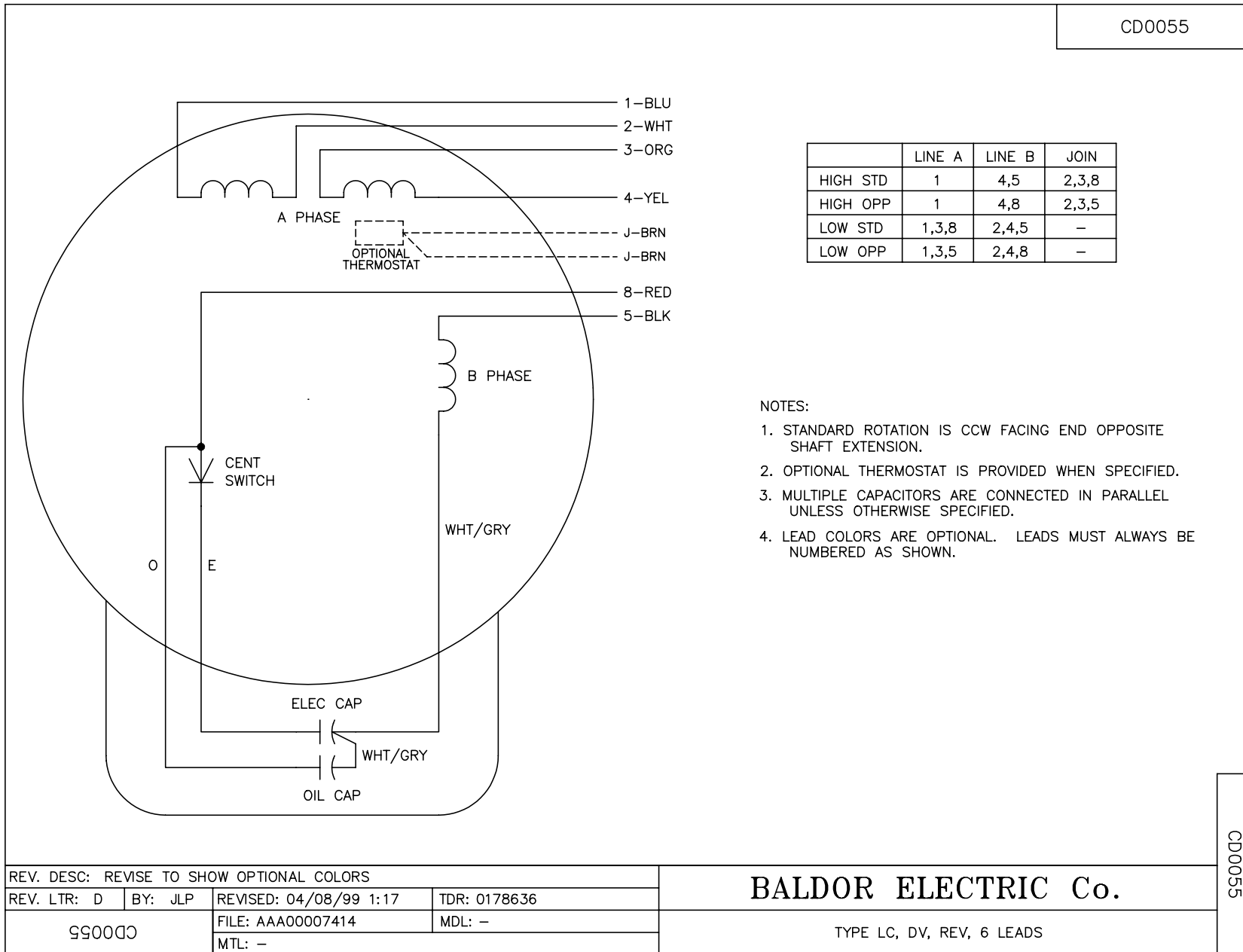
REV. DESC: REPLACE ENDPLATES		
REV. LTR: B	VERSION: 02	TDR: 000001041474
FILE: \AAA\00012\438	REVISED: 03:40:08 08/29/2017	BY: USJOBUR22
MTL: -		

BALDOR

STD HORZ 56 OPEN 35LC

SH 1 of 1

CD0055



REV. DESC: REVISE TO SHOW OPTIONAL COLORS			
REV. LTR: D	BY: JLP	REVISED: 04/08/99 1:17	TDR: 0178636
99000		FILE: AAA00007414	MDL: -
CD0055		MTL: -	

BALDOR ELECTRIC Co.

TYPE LC, DV, REV, 6 LEADS

CD0055