

BALDOR® • RELIANCE 

Product Information Packet

EL3514

1.5HP,1760RPM,1PH,60HZ,56H,3540LC,TEFC

Part Detail							
Revision:	AM	Status:	PRD/A	Change #:		Proprietary:	No
Type:	AC	Elec. Spec:	35WGS759	CD Diagram:	CD0055	Mfg Plant:	
Mech. Spec:	35J385	Layout:	35LYJ385	Poles:	04	Created Date:	
Base:	RG	Eff. Date:	03-07-2018	Leads:	6#18		

Specs			
Catalog Number:	EL3514	Insulation Class:	F
Enclosure:	TEFC	Inverter Code:	Not Inverter
Frame:	56H	KVA Code:	J
Frame Material:	Steel	Lifting Lugs:	No Lifting Lugs
Output @ Frequency:	1.500 HP @ 60 HZ	Locked Bearing Indicator:	No Locked Bearing
Synchronous Speed @ Frequency:	1800 RPM @ 60 HZ	Motor Lead Quantity/Wire Size:	6 @ 18 AWG
Voltage @ Frequency:	230.0 V @ 60 HZ	Motor Lead Exit:	Ko Box
	115.0 V @ 60 HZ	Motor Lead Termination:	Flying Leads
XP Class and Group:	None	Motor Type:	3540LC
XP Division:	Not Applicable	Mounting Arrangement:	F1
Agency Approvals:	CSA	Power Factor:	94
	CSA EEV	Product Family:	General Purpose
	UR	Pulley End Bearing Type:	Ball
Auxillary Box:	No Auxillary Box	Pulley Face Code:	Standard
Auxillary Box Lead Termination:	None	Pulley Shaft Indicator:	Standard
Base Indicator:	Rigid	Rodent Screen:	None
Bearing Grease Type:	Polyrex EM (-20F +300F)	Shaft Extension Location:	Pulley End
Blower:	None	Shaft Ground Indicator:	No Shaft Grounding

Product Information Packet: EL3514 - 1.5HP,1760RPM,1PH,60HZ,56H,3540LC,TEFC

Current @ Voltage:	12.600 A @ 115.0 V	Shaft Rotation:	Reversible
	6.300 A @ 230.0 V	Shaft Slinger Indicator:	No Slinger
Design Code:	L	Speed Code:	Single Speed
Drip Cover:	No Drip Cover	Motor Standards:	NEMA
Duty Rating:	CONT	Starting Method:	Direct on line
Electrically Isolated Bearing:	Not Electrically Isolated	Thermal Device - Bearing:	NONE (OLD)
Feedback Device:	NO FEEDBACK	Thermal Device - Winding:	None
Front Face Code:	Standard	Vibration Sensor Indicator:	No Vibration Sensor
Front Shaft Indicator:	None	Winding Thermal 1:	None
Heater Indicator:	No Heater	Winding Thermal 2:	None

Nameplate NP2116L	
CAT.NO.	EL3514
SPEC.	35J385S759G1
HP	1.5
VOLTS	115/230
AMP	12.6/6.3
RPM	1760
FRAME	56H
HZ	60
PH	1
SER.F.	1.15
CODE	J
DES	L
CL	F
NEMA-NOM-EFF	84
PF	94
RATING	40C AMB-CONT
CC	USABLE AT 208V
DE	6205
ODE	6203
ENCL	TEFC
SN	
	SFA 14.4/7.2

Parts List		
Part Number	Description	Quantity
SA025960	SA 35J385S759G1	1.000 EA
RA022010	RA 35J385S759G1	1.000 EA
OC3040F18SP	7YL OIL CAP 40MFD/370V	1.000 EA
EC1645A06SP	ELEC CAP, 645-774 MFD, 125V, 2.06D X 4.	1.000 EA
NS2512A01	INSULATOR, CONDUIT BOX X	1.000 EA
35CB3007	35 CB CASTING W/.88 DIA. LEAD HOLE	1.000 EA
36GS1000SP	GASKET-CONDUIT BOX, .06 THICK #SV-330 LE	1.000 EA
51XB1016A07	10-16 X 7/16 HXWSSLD SERTYB	2.000 EA
11XW1032G06	10-32 X .38, TAPTITE II, HEX WSHR SLTD U	1.000 EA
35EP3122K00	MASTER ODE,203 BRG,.683SH,#26 DRN,FH MTG	1.000 EA
51XW0832A07	8-32 X .44, TAPTITE II, HEX WSHR SLTD SE	2.000 EA
35CB3801	CAPACITOR COVER, CAST	1.000 EA
34GS3002	GASKET, CAPACITOR BOX	1.000 EA
HA7010	CAPACITOR RETENTION CLAMP	1.000 EA
51XB1016A08	10-16X 1/2HXWSSLD SERTYB	2.000 EA
NS2501A02	INSULATOR, CAPACITOR BOX	1.000 EA
HW5100A03	WAVY WASHER (W1543-017)	1.000 EA
35EP3123A00	MASTER DE,205 BRG,.998SH,#26 DRN	1.000 EA
XY1032A02	10-32 HEX NUT DIRECTIONAL SERRATION	4.000 EA
35FN3002A05SP	EXFN, PLASTIC, 6.376 OD, .638 ID	1.000 EA
NP2116L	ALUM SUPER-E UL CSA CC	1.000 EA
51XB1214A16	12-14X1.00 HXWSSLD SERTYB	1.000 EA
35FH4005A32SP	IEC FH NO GR SR W/3 HOLES - PRIMED	1.000 EA
51XW1032A06	10-32 X .38, TAPTITE II, HEX WSHR SLTD S	3.000 EA

Parts List (continued)		
Part Number	Description	Quantity
35CB4521GX	CONDUIT BOX LID KIT **ORDER INDIV PARTS	1.000 EA
51XW0832A07	8-32 X .44, TAPTITE II, HEX WSHR SLTD SE	4.000 EA
HW2501D13	KEY, 3/16 SQ X 1.375	1.000 EA
HA7000A04	KEY RETAINER 0.625 DIA SHAFTS	1.000 EA
85XU0407S04	4X1/4 U DRIVE PIN STAINLESS	2.000 EA
WD1000A15	3-520132-2 AMP FLAG (4M/RL NON-CANC/NON-	4.000 EA
MJ1000A02	GREASE, POLYREX EM EXXON (USe 4824-15A)	0.050 LB
HA3100A26	THRUBOLT 10-32 X 11.500	4.000 EA
MG1000Y03	MUNSELL 2.53Y 6.70/ 4.60, GLOSS 20,	0.017 GA
SP5181A01	MODEL 35 LC TORQ STAT SWITCH LEAD ASSY	1.000 EA
LC0001A01	CONN LABEL / WARNING LABEL (LC0001 / LB1	1.000 EA
36PA1000	PKG GRP, PRINT PK1016A06	1.000 EA
MN416A01	TAG-INSTAL-MAINT no wire (1200/bx) 5/18	1.000 EA
PE-0000001	ZRTG PE ASSEMBLY	1.000 EA
FE-0000001	ZRTG FE ASSEMBLY	1.000 EA

Accessories		
Part Number	Description	Multiplier
35-8762	C FACE KIT	A8
35EP1506A01SP	D-FLANGE KIT	A8

AC Induction Motor Performance Data

Record # 9105 - Typical performance - not guaranteed values

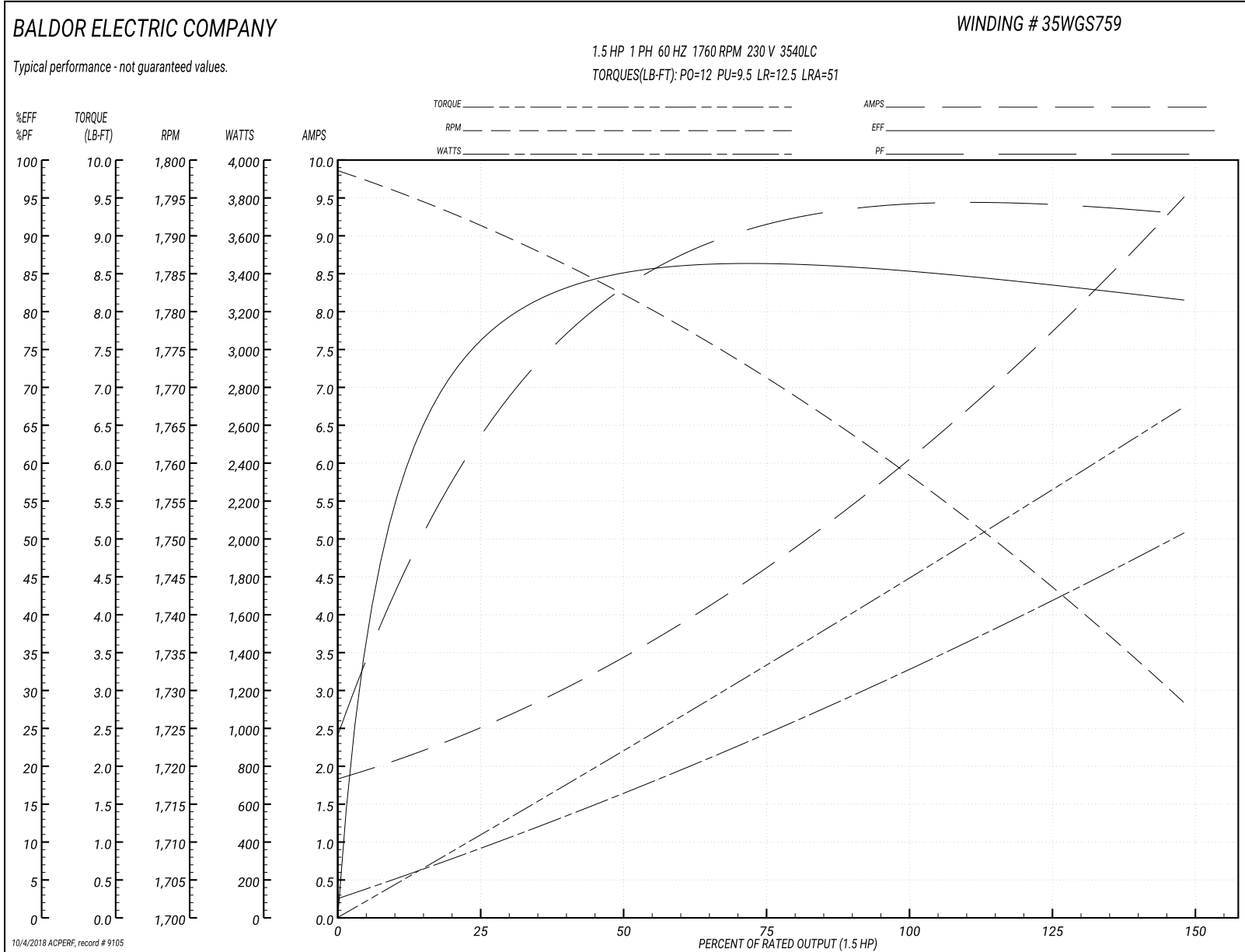
Winding: 35WGS759-R002	Type: 3540LC	Enclosure: TEFC
-------------------------------	---------------------	------------------------

Nameplate Data				230 V, 60 Hz: High Voltage Connection	
Rated Output (HP)	1.5			Full Load Torque	4.5 LB-FT
Volts	115/230			Start Configuration	direct on line
Full Load Amps	12.6/6.3			Breakdown Torque	12 LB-FT
R.P.M.	1760			Pull-up Torque	9.5 LB-FT
Hz	60	Phase	1	Locked-rotor Torque	12.5 LB-FT
NEMA Design Code	L	KVA Code	J	Starting Current	51 A
Service Factor (S.F.)	1.15			No-load Current	1.9 A
NEMA Nom. Eff.	84	Power Factor	94	Line-line Res. @ 25°C	1.6 Ω A Ph 1.26 Ω B Ph
Rating - Duty	40C AMB-CONT			Temp. Rise @ Rated Load	48°C
S.F. Amps	14.4/7.2			Temp. Rise @ S.F. Load	62°C

Load Characteristics 230 V, 60 Hz, 1.5 HP

% of Rated Load	25	50	75	100	125	150	S.F.
Power Factor	71	85	92	94	95	95	95
Efficiency	72.9	84.4	86.2	86.2	84.1	81	84.9
Speed	1791	1781	1771	1759	1744	1728	1750
Line amperes	2.4	3.5	4.7	6.1	7.7	9.5	7.2

Performance Graph at 230V, 60Hz, 1.5HP Typical performance - Not guaranteed values



AC Induction Motor Performance Data

Record # 30382 - Typical performance - not guaranteed values

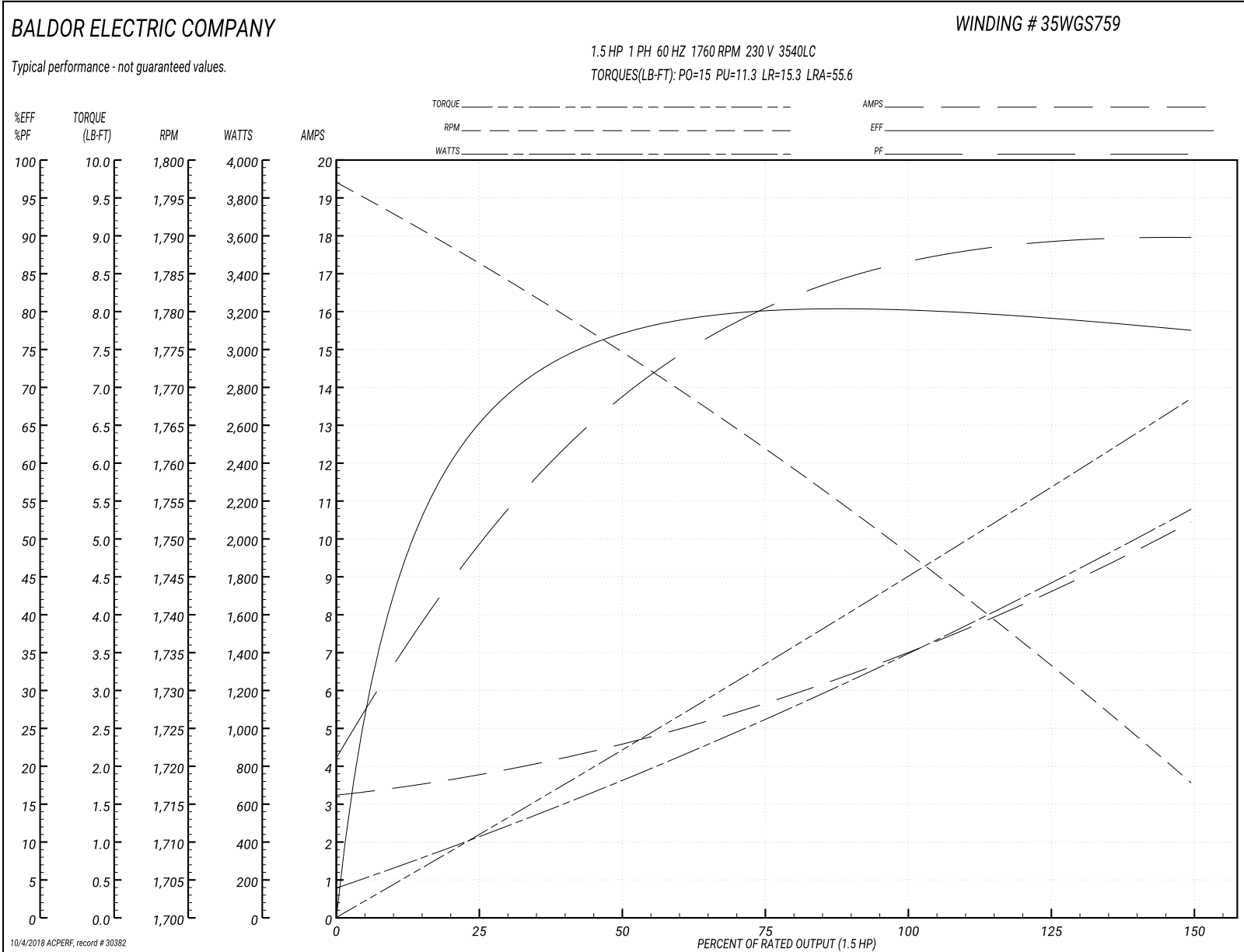
Winding: 35WGS759-R002	Type: 3540LC	Enclosure: TEFC
-------------------------------	---------------------	------------------------

Nameplate Data				230 V, 60 Hz: High Voltage Connection	
Rated Output (HP)	1.5			Full Load Torque	4.45 LB-FT
Volts	115/230			Start Configuration	direct on line
Full Load Amps	12.6/6.3			Breakdown Torque	15 LB-FT
R.P.M.	1760			Pull-up Torque	11.3 LB-FT
Hz	60	Phase	1	Locked-rotor Torque	15.3 LB-FT
NEMA Design Code	L	KVA Code	J	Starting Current	55.6 A
Service Factor (S.F.)	1.15			No-load Current	3.31 A
NEMA Nom. Eff.	84	Power Factor	94	Line-line Res. @ 25°C	1.5114 Ω A Ph 1.2489 Ω B Ph
Rating - Duty	40C AMB-CONT			Temp. Rise @ Rated Load	53°C
S.F. Amps	14.4/7.2			Temp. Rise @ S.F. Load	64°C

Load Characteristics 230 V, 60 Hz, 1.5 HP

% of Rated Load	25	50	75	100	125	150	S.F.
Power Factor	52	69	80	85	89	90	87
Efficiency	64.3	76.1	80	80.8	79.4	77.3	80
Speed	1783.8	1773.9	1763	1750.3	1735.3	1716.3	1741
Line amperes	3.69	4.5	5.62	6.99	8.58	10.4	7.94

Performance Graph at 230V, 60Hz, 1.5HP Typical performance - Not guaranteed values



AC Induction Motor Performance Data

Record # 68806 - Typical performance - not guaranteed values

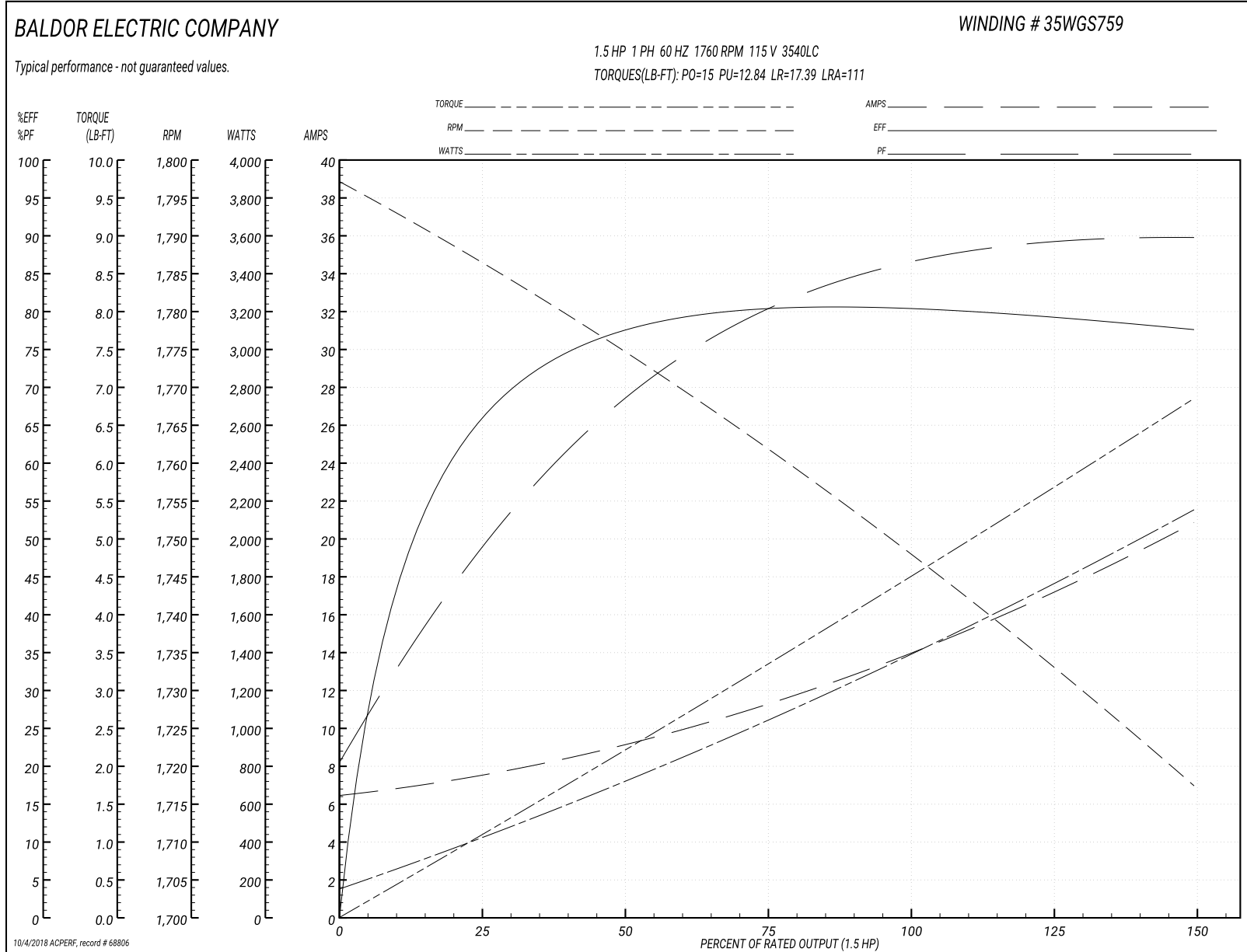
Winding: 35WGS759-R002	Type: 3540LC	Enclosure: TEFC
-------------------------------	---------------------	------------------------

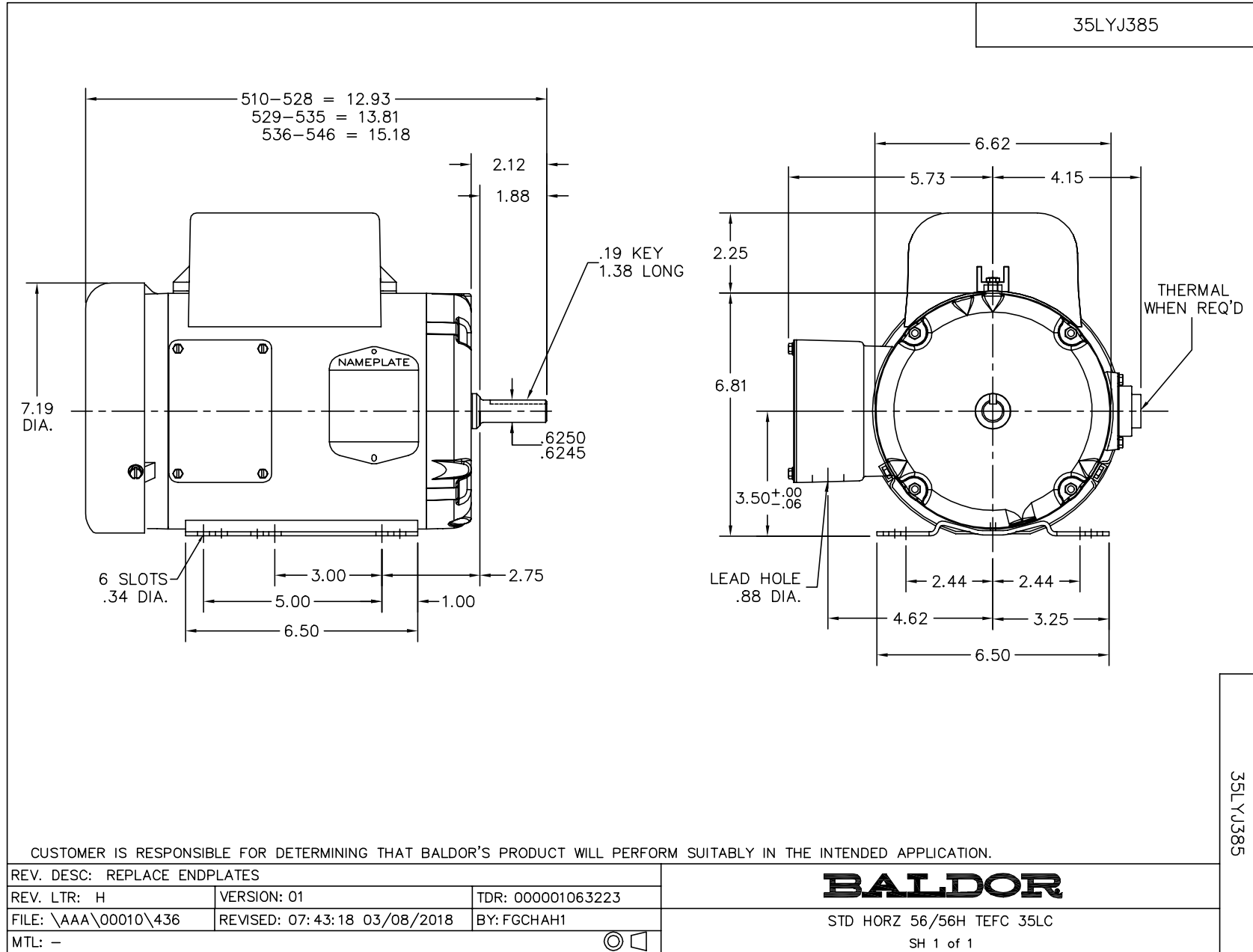
Nameplate Data				115 V, 60 Hz: Low Voltage Connection	
Rated Output (HP)	1.5			Full Load Torque	4.45 LB-FT
Volts	115/230			Start Configuration	direct on line
Full Load Amps	12.6/6.3			Breakdown Torque	15 LB-FT
R.P.M.	1760			Pull-up Torque	12.84 LB-FT
Hz	60	Phase	1	Locked-rotor Torque	17.39 LB-FT
NEMA Design Code	L	KVA Code	J	Starting Current	111 A
Service Factor (S.F.)	1.15			No-load Current	6.61 A
NEMA Nom. Eff.	84	Power Factor	94	Line-line Res. @ 25°C	0.387 Ω A Ph 1.26 Ω B Ph
Rating - Duty	40C AMB-CONT			Temp. Rise @ Rated Load	52°C
S.F. Amps	14.4/7.2			Temp. Rise @ S.F. Load	63°C
				Locked-rotor Power Factor	89.1
				Rotor inertia	0.237 LB-FT ²

Load Characteristics 115 V, 60 Hz, 1.5 HP

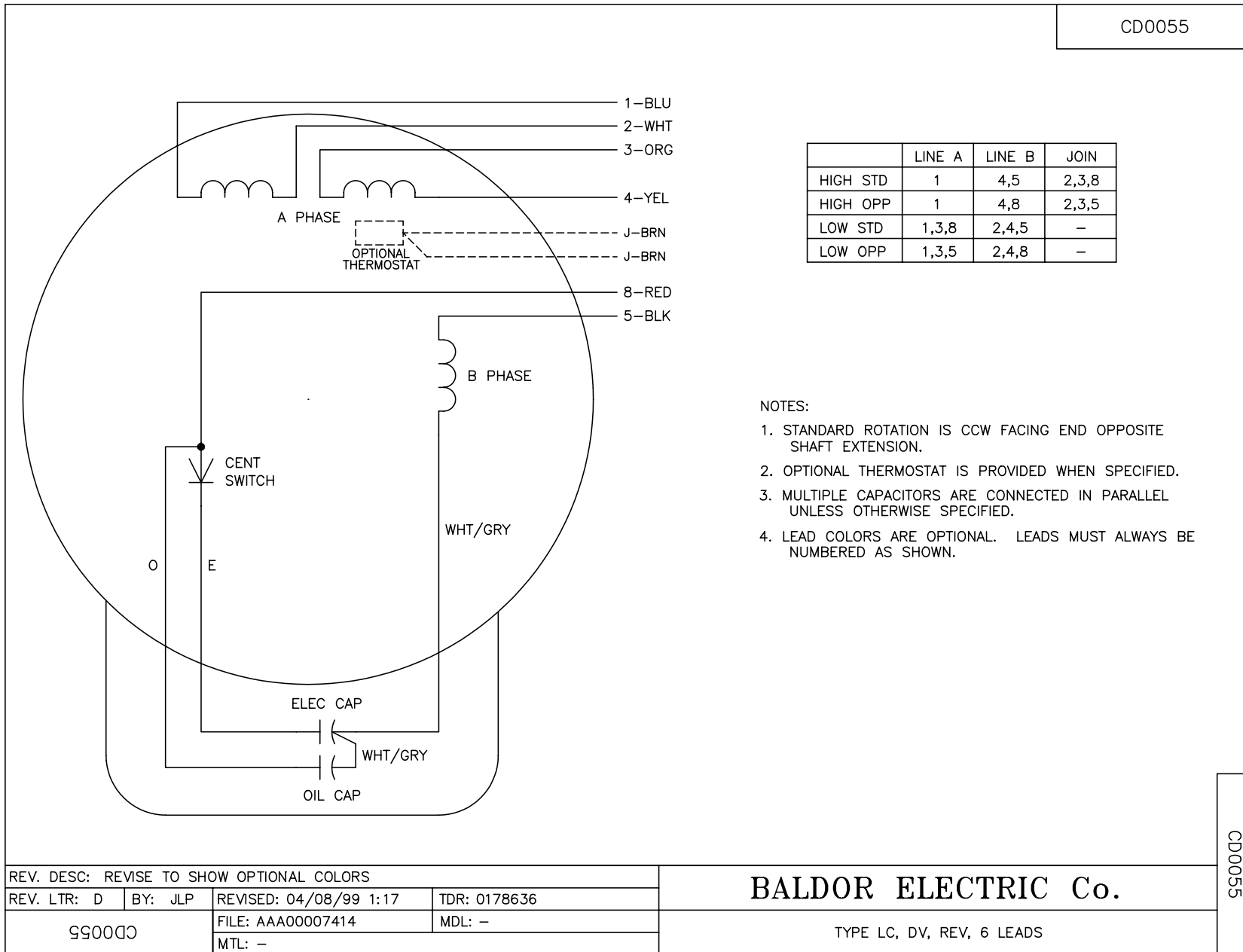
% of Rated Load	25	50	75	100	125	150	S.F.
Power Factor	52	69	80	85	89	90	87
Efficiency	64.9	76.4	80.3	80.9	79.5	77.3	80.1
Speed	1784	1774	1763	1750	1735	1716	1741
Line amperes	7.35	8.97	11.21	13.95	17.13	20.77	15.9

Performance Graph at 115V, 60Hz, 1.5HP Typical performance - Not guaranteed values





CD0055



REV. DESC: REVISE TO SHOW OPTIONAL COLORS			
REV. LTR: D	BY: JLP	REVISED: 04/08/99 1:17	TDR: 0178636
990000		FILE: AAA00007414	MDL: -
		MTL: -	

BALDOR ELECTRIC Co.

TYPE LC, DV, REV, 6 LEADS

CD0055