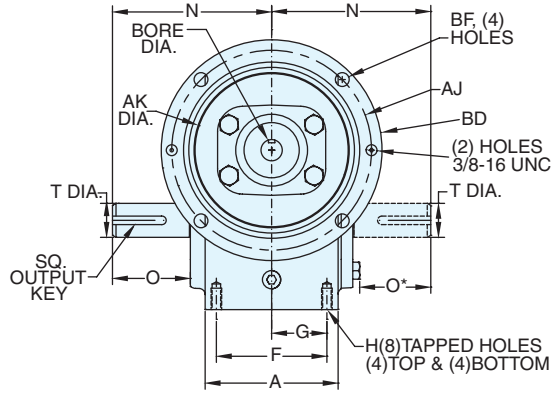
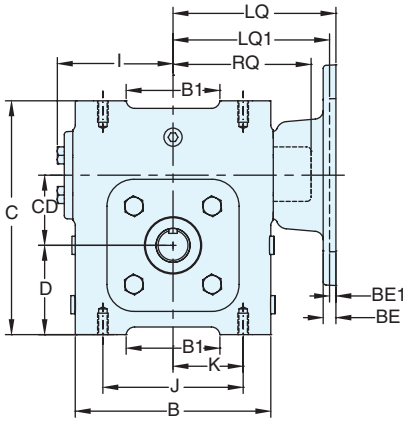


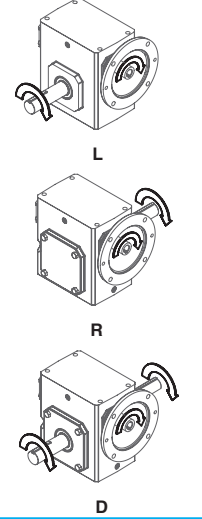
# ELECTRA-GEAR EL SERIES DIMENSIONS

STYLES: BMQ, BM, B

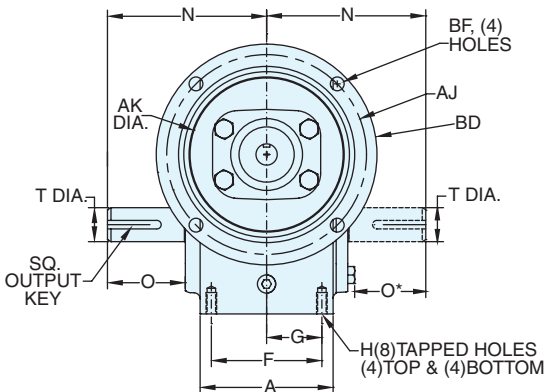
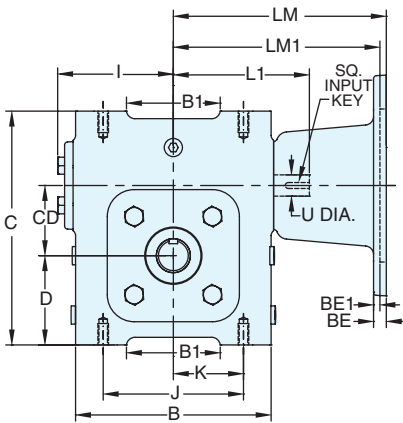
## STYLE BMQ



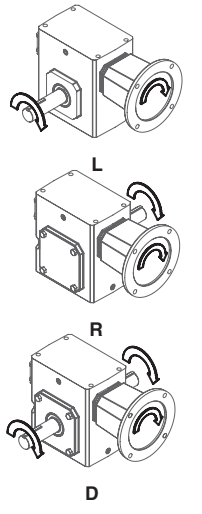
### ASSEMBLIES



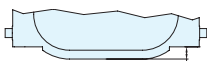
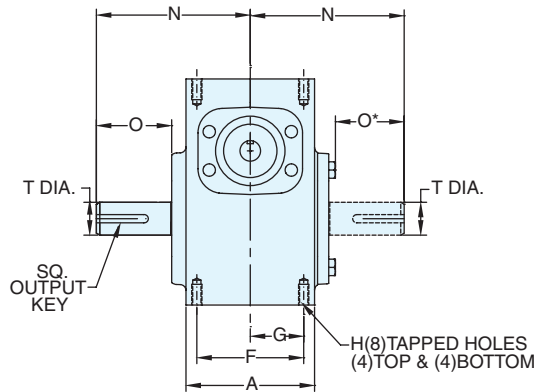
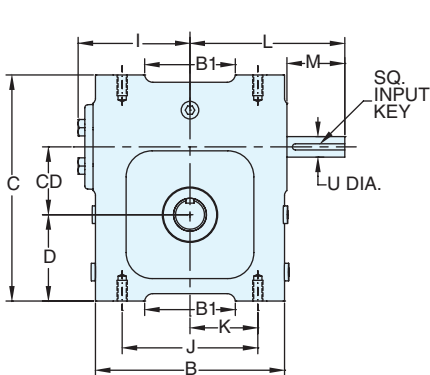
## STYLE BM



### ASSEMBLIES

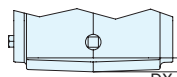


## STYLE B



MODELS 852 AND 860 ONLY

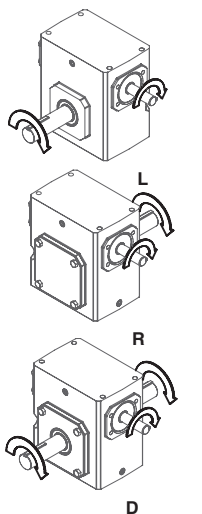
**SIDE VIEW**



MODELS 852 AND 860 ONLY

**END VIEW**

### ASSEMBLIES



REVERSE ALL ARROWS FOR OPPOSITE INPUT SHAFT ROTATION. CONTACT FACTORY FOR OTHER MOUNTINGS OR ASSEMBLY POSITIONS.

### STYLE BMQ, BM, B DIMENSIONS (Inches)

Size	A	B	B1	C	CD	D	DX	F	G	H		I	J	K	L	M	N	O	O*	T +0.000 -0.0015	U +0.000 -0.0015	Input Key (Style B only)*:	Input Key (Style BM only)*:	Output Key
										Tap Size	Depth													
EL813	2.82	3.80	--	4.66	1.33	1.72	--	2.00	1.00	5/16-18	0.50	2.40	3.25	1.63	3.82	1.87	4.00	2.16	1.96	0.625	0.500	1/8 x 1.00	1/8 x 1.00	3/16 x 1.38
EL818	3.50	4.83	2.48	5.86	1.75	2.31	--	2.94	1.47	5/16-18	0.63	3.03	3.69	1.84	4.45	1.78	4.39	2.05	1.85	0.750	0.625	3/16 x 1.38	3/16 x .500	3/16 X 1.38
EL821	3.91	5.75	2.76	6.88	2.06	2.63	--	3.25	1.63	3/8-16	0.87	3.40	4.13	2.06	4.82	1.76	4.68	2.29	2.09	1.000	0.625	3/16 X 1.38	3/16 x .500	1/4 x 1.44
EL824	4.06	5.86	--	6.94	2.38	2.50	--	2.88	1.44	3/8-16	0.69	3.61	5.00	2.50	5.51	2.45	5.14	2.66	2.46	1.125	0.750	3/16 X 1.63	3/16 x .500	1/4 X 1.62
EL826	4.84	7.17	4.21	8.00	2.63	3.25	--	3.38	1.69	3/8-16	0.69	4.17	5.00	2.50	6.07	2.45	5.63	2.73	2.53	1.250	0.750	3/16 x 1.63	3/16 x .500	1/4 X 1.62
EL830	5.25	8.11	4.50	8.94	3.00	3.50	--	4.13	2.06	1/2-13	1.00	4.81	5.75	2.88	6.56	2.31	6.62	3.60	3.37	1.500	0.875	3/16 x 1.63	3/16 x .500	3/8 X 2.25
EL832	5.25	8.11	4.53	10.50	3.25	4.00	--	4.13	2.06	1/2-13	1.00	5.00	6.63	3.31	6.75	2.31	6.62	3.60	3.37	1.625	0.875	3/16 x 1.63	3/16 x .500	3/8 X 2.25
EL842	6.13	9.63	5.71	11.69	4.25	4.50	--	3.75	1.88	5/8-11	1.19	6.15	7.00	3.50	9.57	3.47	8.12	4.50	4.22	1.750	1.250	1/4 x 2.50	1/4 x 2.50	1/2 x 2.50
EL852	7.19	11.50	7.82	12.25	5.25	4.25	0.75	5.25	2.63	3/4-10	1.44	7.55	9.62	4.81	10.88	3.38	9.06	4.78	4.50	2.000	1.250	1/4 X 3.00	1/4 x 3.00	1/2 x 2.50
EL860	7.00	13.50	--	14.25	6.00	5.00	1.63	5.38	2.69	7/8-9	1.63	7.88	11.00	5.50	10.99	3.00	10.75	5.25	5.25	2.250	1.500	3/8 x 3.00	3/8 x 2.75	5/8 X 4.00

### MOTOR MOUNTING DIMENSIONS

#### NEMA DIMENSIONS (Inches)

Size	LM	LM1	L1	LQ	LQ1	RQ
	56C/140TC	180TC / 210TC	56C/140TC	180TC / 210TC	56C/140TC	180TC / 210TC
EL813	6.07	--	3.82	--	3.79	--
EL818	5.89	--	3.64	--	4.42	--
EL821	6.26	--	4.00	--	4.79	--
EL824	6.48	7.30	4.29	4.29	4.77	4.09
EL826	7.04	7.86	4.88	4.88	5.33	4.82
EL830	7.67	8.31	5.38	5.38	5.97	5.32
EL832	7.86	8.50	5.56	5.56	6.16	5.51
EL842	11.25	12.53	9.57	9.57	6.45	6.04
EL852	12.65	13.93	10.88	10.88	7.85	7.35
EL860	--	11.94	10.99	--	--	--

#### NEMA DIMENSIONS (Inches)

Frame	AJ	AK	BD	BE	BE1	Bore Dia.	Keyway	BF
56C	5.88	4.50	6.50	0.38	N/A	.625	3/16 X 3/32	0.41
140TC	5.88	4.50	6.50	0.38	N/A	.875	3/16 X 3/32	0.41
180TC	7.25	8.50	9.00	N/A	0.50	1.125	1/4 X 1/8	0.53
210TC	7.25	8.50	9.00	N/A	0.50	1.375	5/16 X 5/32	0.53

\* Applies to double output shaft

◆ Keyway width by depth

\* Solid input shaft and C-faced coupling input reducers have different input shaft length and key.



**WARNING** For safety, purchaser or user should provide protective guards over shaft extensions and any couplings, sheaves and belts, sprockets and chains, etc., mounted thereon.

### INTEGRAL GEARMOTOR INPUTS AVAILABLE

— Contact Factory for price and availability.

### EL SERIES MOUNTING DIMENSIONS

— EL Series mounting dimensions are the same as the original ELECTRA-GEAR product with an option to match the industry standard dimensions of GR Series.  
— See page 52 for GR Series dimensions.

### ELECTRA-GEAR INTERCHANGE GUIDE

Original Style	New Style
MSC or MLSC	BMQ
MC or MLC	BM
M or ML	B
M + "KV" Kit	B + "KV" Kit

Convert Style B to motorized coupling input using kits shown on page 290.

All dimensions shown are for reference only. Contact Factory for certified dimensions.