

BALDOR® • RELIANCE 

Product Information Packet

EM3112-5

.75HP,1725RPM,3PH,60HZ,56,3514M,OPEN,F1

Part Detail							
Revision:	H	Status:	PRD/A	Change #:		Proprietary:	No
Type:	AC	Elec. Spec:	35WGL229	CD Diagram:	CD0006	Mfg Plant:	
Mech. Spec:	35B011	Layout:	35LYB011	Poles:	04	Created Date:	04-22-2015
Base:	RG	Eff. Date:	08-21-2017	Leads:	3#18		

Specs			
Catalog Number:	EM31112-5	KVA Code:	J
Enclosure:	OPEN	Lifting Lugs:	No Lifting Lugs
Frame:	56	Locked Bearing Indicator:	No Locked Bearing
Frame Material:	Steel	Motor Lead Quantity/Wire Size:	3 @ 18 AWG
Output @ Frequency:	.750 HP @ 60 HZ	Motor Lead Exit:	Ko Box
Synchronous Speed @ Frequency:	1800 RPM @ 60 HZ	Motor Lead Termination:	Flying Leads
Voltage @ Frequency:	575.0 V @ 60 HZ	Motor Type:	3514M
XP Class and Group:	None	Mounting Arrangement:	F1
XP Division:	Not Applicable	Power Factor:	77
Agency Approvals:	UR	Product Family:	General Purpose
	CSA	Pulley End Bearing Type:	Ball
Auxillary Box:	No Auxillary Box	Pulley Face Code:	Standard
Auxillary Box Lead Termination:	None	Pulley Shaft Indicator:	Standard
Base Indicator:	Rigid	Rodent Screen:	None
Bearing Grease Type:	Polyrex EM (-20F +300F)	RoHS Status:	ROHS COMPLIANT
Blower:	None	Shaft Extension Location:	Pulley End
Current @ Voltage:	.870 A @ 575.0 V	Shaft Ground Indicator:	No Shaft Grounding
Design Code:	B	Shaft Rotation:	Reversible

Drip Cover:	No Drip Cover	Shaft Slinger Indicator:	No Slinger
Duty Rating:	CONT	Speed Code:	Single Speed
Electrically Isolated Bearing:	Not Electrically Isolated	Motor Standards:	NEMA
Feedback Device:	NO FEEDBACK	Starting Method:	Direct on line
Front Face Code:	Standard	Thermal Device - Bearing:	NONE (OLD)
Front Shaft Indicator:	None	Thermal Device - Winding:	None
Heater Indicator:	No Heater	Vibration Sensor Indicator:	No Vibration Sensor
Insulation Class:	F	Winding Thermal 1:	None
Inverter Code:	Inverter Ready	Winding Thermal 2:	None

Nameplate NP3155L													
CAT.NO.	EM31112-5												
SPEC.	35B011L229G2												
HP	.75												
VOLTS	575												
AMP	.87												
RPM	1725												
FRAME	56					HZ	60			PH	3		
SER.F.	1.25					CODE	J		DES	B		CL	F
F.L. AVG. EFF.	81.5					PF	77						
RATING	40C AMB-CONT												
CC												USABLE AT 208V	
DE	6205					ODE	6203						
ENCL	OPEN					SN							
	SFA 1.04												

Parts List		
Part Number	Description	Quantity
SA300828	SA 35B011L229G2	1.000 EA
RA287889	RA 35B011L229G2	1.000 EA
NS2512A01	INSULATOR, CONDUIT BOX X	1.000 EA
35CB3007	35 CB CASTING W/.88 DIA. LEAD HOLE	1.000 EA
51XB1016A07	10-16 X 7/16 HXWSSLD SERTYB	2.000 EA
11XW1032G06	10-32 X .38, TAPTITE II, HEX WSHR SLTD U	1.000 EA
35EP3209G00	MASTER ODE,203 BRG	1.000 EA
HW5100A03	WAVY WASHER (W1543-017)	1.000 EA
35EP3210B00	MASTER DE,205 BRG,1.000SH	1.000 EA
XY1032A02	10-32 HEX NUT DIRECTIONAL SERRATION	4.000 EA
35CB4521	35 LIPPED CB LID (GALV & PHOSPH)	1.000 EA
51XW0832A07	8-32 X .44, TAPTITE II, HEX WSHR SLTD SE	4.000 EA
HW2501D13	KEY, 3/16 SQ X 1.375	1.000 EA
HA7000A04	KEY RETAINER 0.625 DIA SHAFTS	1.000 EA
85XU0407S04	4X1/4 U DRIVE PIN STAINLESS	2.000 EA
MJ1000A02	GREASE, POLYREX EM EXXON (USe 4824-15A)	0.050 LB
MG1000Y03	MUNSELL 2.53Y 6.70/ 4.60, GLOSS 20,	0.017 GA
HA3100A15	THRUBOLT 10-32 X 8.375	4.000 EA
LB1119N	WARNING LABEL	1.000 EA
NP3155L	ALUM SUPER-E UL CSA CC "SEMS"	1.000 EA
35PA1066	PKG GRP, PRINT PK1008A06	1.000 EA
LC0006	CONNECTION LABEL	1.000 EA
MN416A01	TAG-INSTAL-MAINT no wire (1200/bx) 5/18	1.000 EA
PE-0000001	ZRTG PE ASSEMBLY	1.000 EA

Parts List (continued)		
Part Number	Description	Quantity
FE-0000001	ZRTG FE ASSEMBLY	1.000 EA

AC Induction Motor Performance Data

Record # 61384 - Typical performance - not guaranteed values

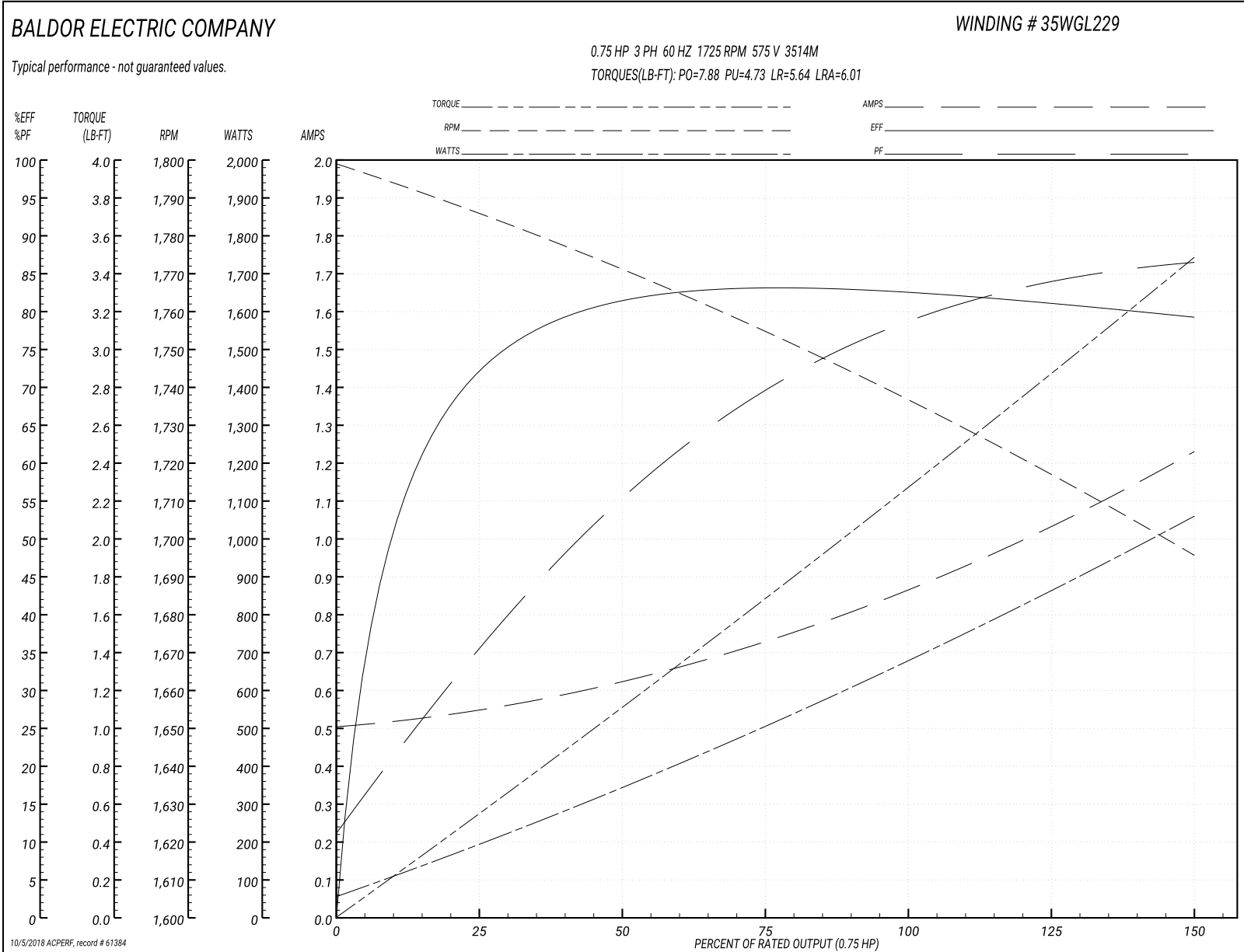
Winding: 35WGL229-R002	Type: 3514M	Enclosure: OPEN
-------------------------------	--------------------	------------------------

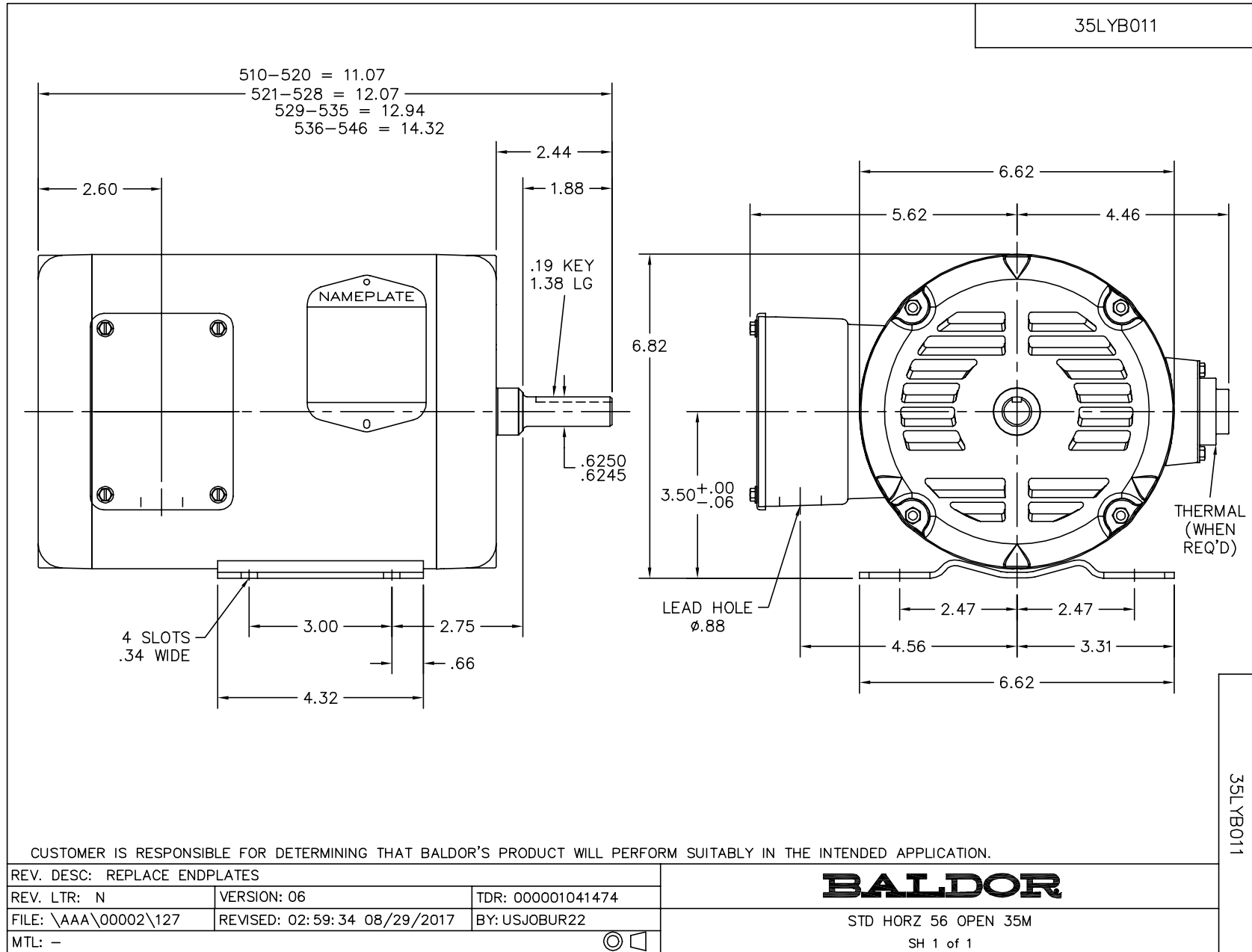
Nameplate Data				575 V, 60 Hz: Single Voltage Motor	
Rated Output (HP)	.75			Full Load Torque	2.24 LB-FT
Volts	575			Start Configuration	direct on line
Full Load Amps	.87			Breakdown Torque	7.88 LB-FT
R.P.M.	1725			Pull-up Torque	4.73 LB-FT
Hz	60	Phase	3	Locked-rotor Torque	5.64 LB-FT
NEMA Design Code	B	KVA Code	J	Starting Current	6.01 A
Service Factor (S.F.)	1.25			No-load Current	0.509 A
NEMA Nom. Eff.	81.5	Power Factor	77	Line-line Res. @ 25°C	48.9 Ω
Rating - Duty	40C AMB-CONT			Temp. Rise @ Rated Load	34°C
S.F. Amps	1.04			Temp. Rise @ S.F. Load	46°C
				Locked-rotor Power Factor	68.4
				Rotor inertia	0.0827 LB-FT ²

Load Characteristics 575 V, 60 Hz, 0.75 HP

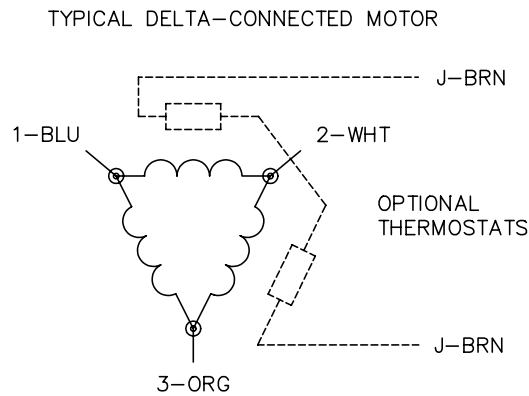
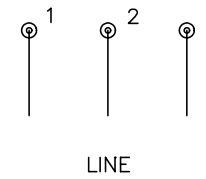
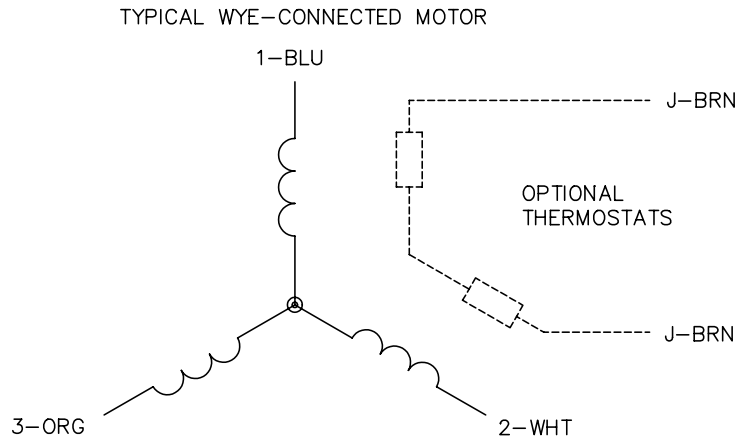
% of Rated Load	25	50	75	100	125	150	S.F.
Power Factor	36	55	69	78	83	87	86
Efficiency	70	80.1	83.1	82.8	81.8	78.8	80.7
Speed	1787	1771	1755	1738	1718	1695	1713
Line amperes	0.54	0.616	0.727	0.864	1.03	1.23	1.03

Performance Graph at 575V, 60Hz, 0.75HP Typical performance - Not guaranteed values





CD0006



NOTES:

1. THREE LEAD MOTOR MAY BE EITHER WYE CONNECTED OR DELTA CONNECTED.
2. INTERCHANGE ANY TWO LINE LEADS TO REVERSE ROTATION.
3. OPTIONAL THERMOSTATS ARE PROVIDED WHEN SPECIFIED.
4. ACTUAL NUMBER OF INTERNAL PARALLEL CIRCUITS MAY VARY.
5. LEAD COLORS ARE OPTIONAL. LEADS MUST BE NUMBERED AS SHOWN.

REV. DESC: REVISE TO SHOW OPTIONAL COLORS			
REV. LTR: D	BY: JLP	REVISED: 01/21/99 4:02	TDR: 0171435
9000D		FILE: AAA00005141	MDL: -
		MTL: -	

BALDOR ELECTRIC Co.

3PH, SV, 3 LEADS, WYE OR DELTA CONNECTED

CD0006