

BALDOR® • RELIANCE 

Product Information Packet

EM3305T

3HP,1165RPM,3PH,60HZ,213T,3734M,OPSB,F1

Part Detail							
Revision:	Q	Status:	PRD/A	Change #:		Proprietary:	No
Type:	AC	Elec. Spec:	37WGR333	CD Diagram:	CD0005	Mfg Plant:	
Mech. Spec:	37F614	Layout:	37LYF614	Poles:	06	Created Date:	07-25-2012
Base:	RG	Eff. Date:	01-30-2018	Leads:	9#14		Y

Specs			
Catalog Number:	EM3305T	Heater Indicator:	No Heater
Enclosure:	OPSB	Insulation Class:	F
Frame:	213T	Inverter Code:	Inverter Ready
Frame Material:	Steel	KVA Code:	K
Output @ Frequency:	3.000 HP @ 60 HZ	Lifting Lugs:	Standard Lifting Lugs
Synchronous Speed @ Frequency:	1200 RPM @ 60 HZ	Locked Bearing Indicator:	No Locked Bearing
Voltage @ Frequency:	460.0 V @ 60 HZ	Motor Lead Quantity/Wire Size:	9 @ 14 AWG
	230.0 V @ 60 HZ	Motor Lead Exit:	Ko Box
XP Class and Group:	None	Motor Lead Termination:	Flying Leads
XP Division:	Not Applicable	Motor Type:	3734M
Agency Approvals:	UR	Mounting Arrangement:	F1
	CSA EEV	Power Factor:	71
	CSA	Product Family:	General Purpose
Auxillary Box:	No Auxillary Box	Pulley End Bearing Type:	Ball
Auxillary Box Lead Termination:	None	Pulley Face Code:	Standard
Base Indicator:	Rigid	Pulley Shaft Indicator:	Standard
Bearing Grease Type:	Polyrex EM (-20F +300F)	Rodent Screen:	None
Blower:	None	Shaft Extension Location:	Pulley End

Current @ Voltage:	4.500 A @ 460.0 V	Shaft Ground Indicator:	No Shaft Grounding
	9.000 A @ 230.0 V	Shaft Rotation:	Reversible
	9.400 A @ 208.0 V	Shaft Slinger Indicator:	No Slinger
Design Code:	B	Speed Code:	Single Speed
Drip Cover:	No Drip Cover	Motor Standards:	NEMA
Duty Rating:	CONT	Starting Method:	Direct on line
Electrically Isolated Bearing:	Not Electrically Isolated	Thermal Device - Bearing:	NONE (OLD)
Feedback Device:	NO FEEDBACK	Thermal Device - Winding:	None
Front Face Code:	Standard	Vibration Sensor Indicator:	No Vibration Sensor
Front Shaft Indicator:	None	Winding Thermal 1:	None
		Winding Thermal 2:	None

Nameplate NP1259LUA										
CAT.NO.	EM3305T									
SPEC.	37F614R333G1									
HP	3									
VOLTS	230/460									
AMPS	9/4.5									
R.P.M.	1165									
FRAME	213T				HZ	60			PH	3
SER.F.	1.15		CODE	K	DES	B		CLASS	F	
NEMA NOM. EFF.	88.5			P.F.	71					
RATING	40C AMB-CONT									
CC	010A				USABLE AT 208V	9.4				
DE	6307				ODE	6206				
ENCL	OPSB		SN							
USABLE AT	50HZ 3HP 190/380V 10.6/5.3A									
									SF1.0	

Parts List		
Part Number	Description	Quantity
SA248209	SA 37F614R333G1	1.000 EA
RA235076	RA 37F614R333G1	1.000 EA
HA6361A01	LIFTING LUG FOR 37, 39 & 40 FRAME ZINC	2.000 EA
37CB3006	37 CB CASTING W/1.38 LEAD HOLE @ 6:00	1.000 EA
51XW2520A10	.25-20 X .62, TAPTITE II, HEX WSHR SLTD	2.000 EA
11XW1032G06	10-32 X .38, TAPTITE II, HEX WSHR SLTD U	1.000 EA
37EP3203A00	MASTER,ODE,206 BRG,GREASER	1.000 EA
HW4500A01	1641B(ALEMITE)400 UNIV, GREASE FITT	1.000 EA
HW5100A06	W2420-025 WVY WSHR (WB)	1.000 EA
37EP3204D00	MASTER,DE,307 BRG,GREASER	1.000 EA
HW4500A01	1641B(ALEMITE)400 UNIV, GREASE FITT	1.000 EA
XY3118A12	5/16-18 HEX NUT DIRECTIONAL SERRATION	4.000 EA
37CB4516	LIPPED LID FOR 37 FRAME NEC KOBX	1.000 EA
51XW0832A07	8-32 X .44, TAPTITE II, HEX WSHR SLTD SE	4.000 EA
HW2501F21	KEY, 5/16 SQ X 2.375	1.000 EA
HA7000A02	KEY RETAINER RING, 1 1/8 DIA, 1 3/8 DIA	1.000 EA
85XU0407S04	4X1/4 U DRIVE PIN STAINLESS	2.000 EA
LB1115N	LABEL,LIFTING DEVICE (ON ROLLS)	1.000 EA
MJ1000A02	GREASE, POLYREX EM EXXON (USe 4824-15A)	0.050 LB
MG1000Y03	MUNSELL 2.53Y 6.70/ 4.60, GLOSS 20,	0.028 GA
HA3104A39	THRUBOLT-5/16-18 X 12.250	4.000 EA
37AD2001A01	BAFFLE PLATE, PLASTIC 0.63" WIDTH	2.000 EA
LC0005E01	CONN.DIA./WARNING LABEL (LC0005/LB1119N)	1.000 EA
NP1259LUA	ALUM SUPER-E UL CSA-EEV CC NEMA PREMIUM	1.000 EA

Parts List (continued)		
Part Number	Description	Quantity
36PA1001	PKG GRP, PRINT PK1017A06	1.000 EA
MN416A01	TAG-INSTAL-MAINT no wire (1200/bx) 5/18	1.000 EA
PE-0000001	ZRTG PE ASSEMBLY	1.000 EA
FE-0000001	ZRTG FE ASSEMBLY	1.000 EA

Accessories		
Part Number	Description	Multiplier
37-1404	C FACE KIT	A8

AC Induction Motor Performance Data

Record # 49691 - Typical performance - not guaranteed values

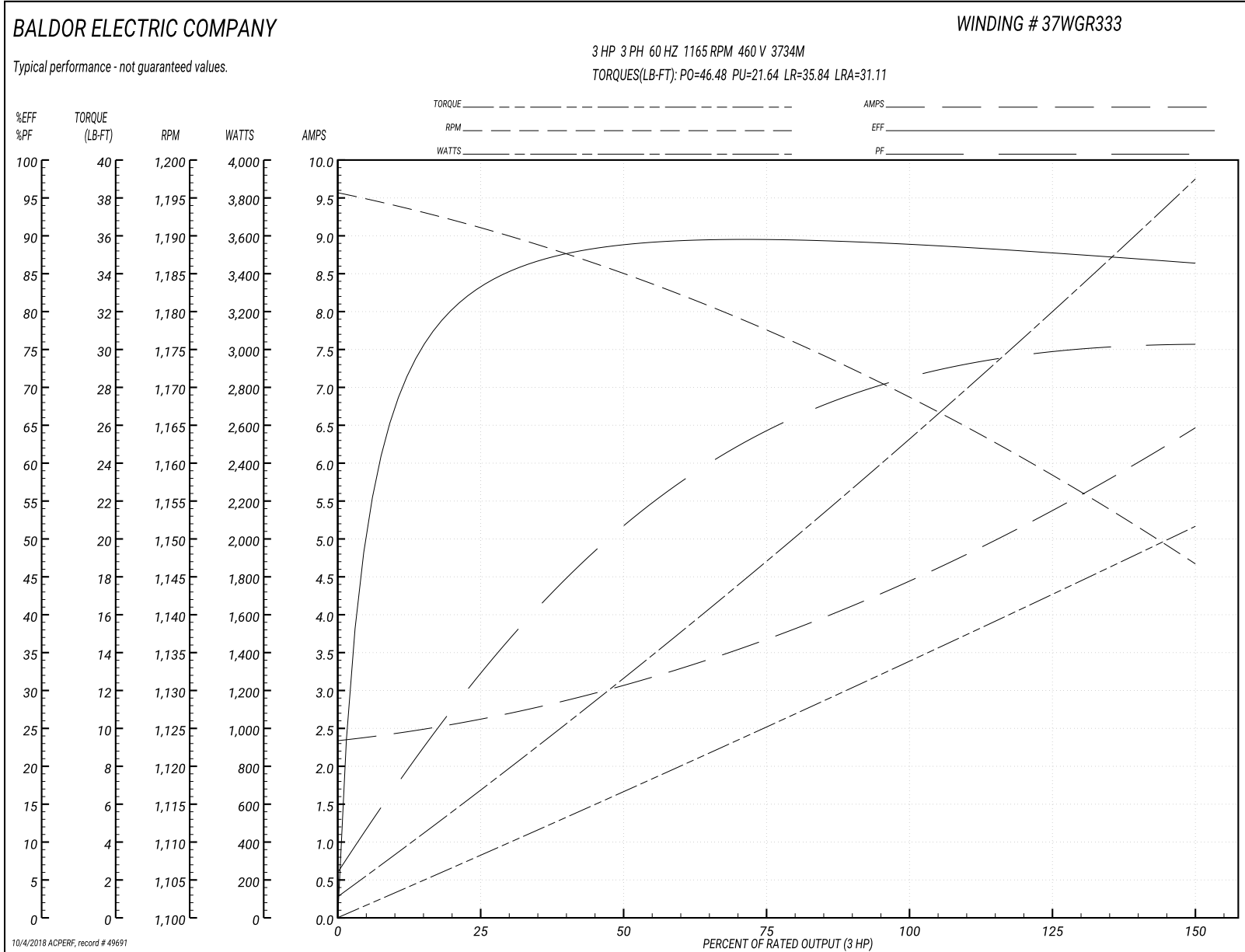
Winding: 37WGR333-R005	Type: 3734M	Enclosure: OPSB
-------------------------------	--------------------	------------------------

Nameplate Data				460 V, 60 Hz: High Voltage Connection	
Rated Output (HP)	3			Full Load Torque	13.59 LB-FT
Volts	230/460			Start Configuration	direct on line
Full Load Amps	9/4.5			Breakdown Torque	46.48 LB-FT
R.P.M.	1165			Pull-up Torque	21.64 LB-FT
Hz	60	Phase	3	Locked-rotor Torque	35.84 LB-FT
NEMA Design Code	B	KVA Code	K	Starting Current	31.11 A
Service Factor (S.F.)	1.15			No-load Current	2.38 A
NEMA Nom. Eff.	88.5	Power Factor	71	Line-line Res. @ 25°C	3.48 Ω
Rating - Duty	40C AMB-CONT			Temp. Rise @ Rated Load	20°C
S.F. Amps				Temp. Rise @ S.F. Load	24°C
				Locked-rotor Power Factor	25.2
				Rotor inertia	0.846 LB-FT ²

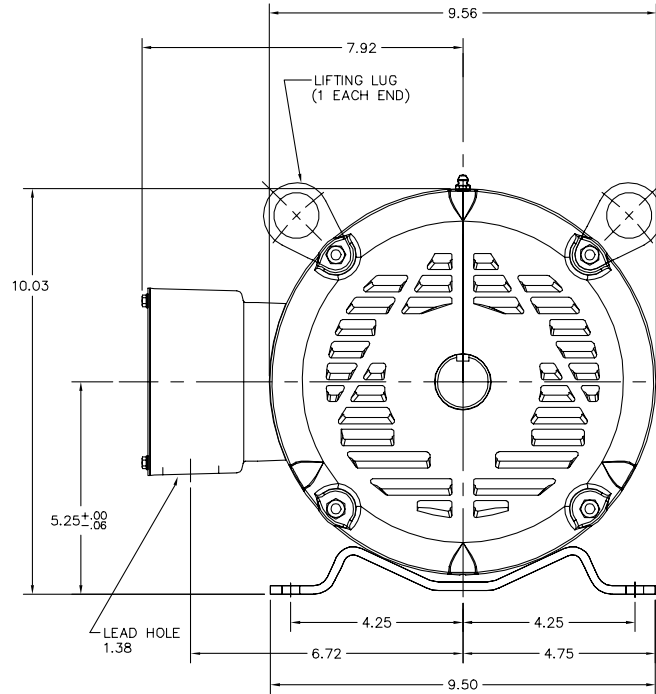
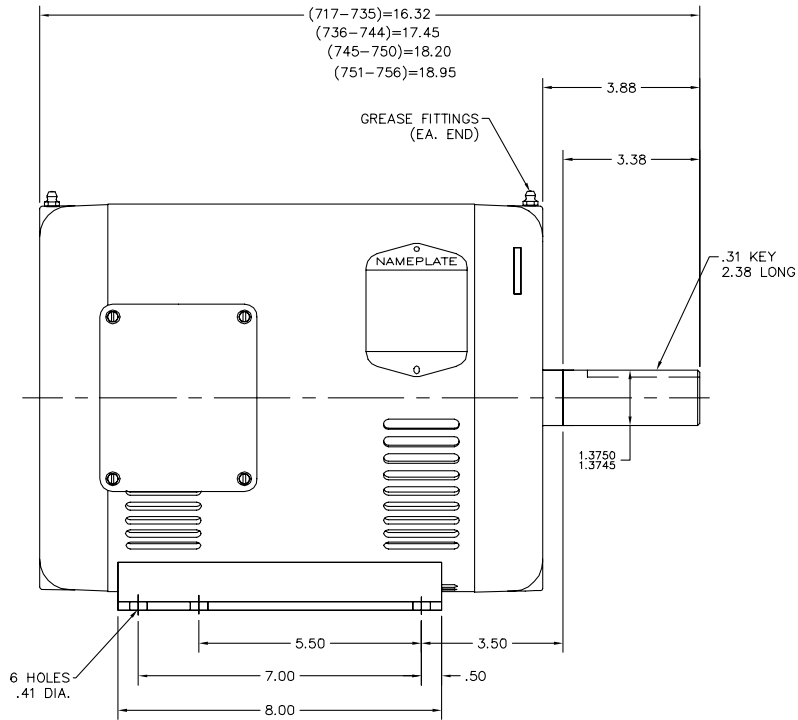
Load Characteristics 460 V, 60 Hz, 3 HP

% of Rated Load	25	50	75	100	125	150	S.F.
Power Factor	34	53	64	71	74	76	73
Efficiency	82.9	88.4	89.4	88.9	88	86.1	88.4
Speed	1192	1185	1177	1168	1158	1147	1161
Line amperes	2.57	3.06	3.73	4.49	5.41	6.45	5.04

Performance Graph at 460V, 60Hz, 3.0HP Typical performance - Not guaranteed values



37LYF614



6 HOLES
.41 DIA.

37LYF614

CUSTOMER IS RESPONSIBLE FOR DETERMINING THAT BALDOR'S PRODUCT WILL PERFORM SUITABLY IN THE INTENDED APPLICATION.

REV. DESC: REPLACE ENDPLATES		
REV. LTR: H	VERSION: 03	TDR: 000001018975
FILE: \AAA\00018\745	REVISED: 09:54:18 03/07/2017	BY: USZAHAR
MTL: -		

BALDOR

STD HORZ 213-5T OPSB 37M (SUPER-E)

SH 1 of 1

CD0005

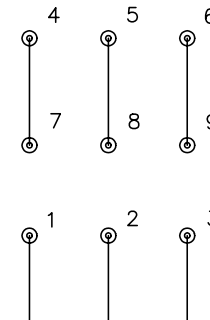


LOW VOLTAGE
(2Y)



LINE

HIGH VOLTAGE
(1Y)



LINE

NOTES:

1. INTERCHANGE ANY TWO LINE LEADS TO REVERSE ROTATION.
2. OPTIONAL THERMOSTATS ARE PROVIDED WHEN SPECIFIED.
3. ACTUAL NUMBER OF INTERNAL PARALLEL CIRCUITS MAY BE A MULTIPLE OF THOSE SHOWN ABOVE.
4. LEAD COLORS ARE OPTIONAL. LEADS MUST ALWAYS BE NUMBERED AS SHOWN.

REV. DESC: REVISE TO SHOW OPTIONAL COLORS			
REV. LTR: E	BY: JLP	REVISED: 01/19/99 10:15	TDR: 0171435
90000		FILE: AAA00005140	MDL: -
		MTL: -	

BALDOR ELECTRIC Co.

3PH, DV, 9 LEADS

CD0005