

BALDOR® • RELIANCE 

Product Information Packet

EM3311T-5BG

7.5HP,1770RPM,3PH,60HZ,213T,3734M,OPSB,F

Part Detail							
Revision:	G	Status:	PRD/A	Change #:		Proprietary:	No
Type:	AC	Elec. Spec:	37WGS691	CD Diagram:	CD0006	Mfg Plant:	
Mech. Spec:	37N346	Layout:	37LYN346	Poles:	04	Created Date:	09-22-2014
Base:	RG	Eff. Date:	02-28-2017	Leads:	3#14		

Specs			
Catalog Number:	EM3311T-5BG	Inverter Code:	Inverter Ready
Enclosure:	OPSB	KVA Code:	J
Frame:	213T	Lifting Lugs:	Standard Lifting Lugs
Frame Material:	Steel	Locked Bearing Indicator:	Locked Bearing
Output @ Frequency:	7.500 HP @ 60 HZ	Motor Lead Quantity/Wire Size:	3 @ 14 AWG
Synchronous Speed @ Frequency:	1800 RPM @ 60 HZ	Motor Lead Exit:	Ko Box
Voltage @ Frequency:	575.0 V @ 60 HZ	Motor Lead Termination:	Flying Leads
XP Class and Group:	None	Motor Type:	3734M
XP Division:	Not Applicable	Mounting Arrangement:	F1
Agency Approvals:	CSA	Power Factor:	79
	CSA EEV	Product Family:	General Purpose
	UR	Pulley End Bearing Type:	Ball
Auxillary Box:	No Auxillary Box	Pulley Face Code:	Standard
Auxillary Box Lead Termination:	None	Pulley Shaft Indicator:	Standard
Base Indicator:	Rigid	Rodent Screen:	None
Bearing Grease Type:	Polyrex EM (-20F +300F)	RoHS Status:	ROHS COMPLIANT
Blower:	None	Shaft Extension Location:	Pulley End
Current @ Voltage:	7.600 A @ 575.0 V	Shaft Ground Indicator:	Shaft Grounding

Design Code:	A	Shaft Rotation:	Reversible
Drip Cover:	No Drip Cover	Shaft Slinger Indicator:	No Slinger
Duty Rating:	CONT	Speed Code:	Single Speed
Electrically Isolated Bearing:	Not Electrically Isolated	Motor Standards:	NEMA
Feedback Device:	NO FEEDBACK	Starting Method:	Direct on line
Front Face Code:	Standard	Thermal Device - Bearing:	None
Front Shaft Indicator:	None	Thermal Device - Winding:	None
Heater Indicator:	No Heater	Vibration Sensor Indicator:	No Vibration Sensor
Insulation Class:	H	Winding Thermal 1:	None
		Winding Thermal 2:	None

Nameplate NP1259L										
CAT.NO.	EM3311T-5BG									
SPEC.	37N346S691G1									
HP	7.5									
VOLTS	575									
AMP	7.6									
RPM	1770									
FRAME	213T				HZ	60			PH	3
SER.F.	1.15		CODE	J	DES	A		CL	H	
NEMA-NOM-EFF	91.7		PF	79						
RATING	40C AMB-CONT									
CC	010A				USABLE AT 208V					
DE	6307				ODE	6206				
ENCL	OPSB		SN							

Parts List		
Part Number	Description	Quantity
SA287457	SA 37N346S691G1	1.000 EA
RA273670	RA 37N346S691G1	1.000 EA
HA6361A01	LIFTING LUG FOR 37, 39 & 40 FRAME ZINC	2.000 EA
37CB3006	37 CB CASTING W/1.38 LEAD HOLE @ 6:00	1.000 EA
51XW2520A10	.25-20 X .62, TAPTITE II, HEX WSHR SLTD	2.000 EA
11XW1032G06	10-32 X .38, TAPTITE II, HEX WSHR SLTD U	1.000 EA
37EP3203A00	MASTER,ODE,206 BRG,GREASER	1.000 EA
HW4500A01	1641B(ALEMITE)400 UNIV, GREASE FITT	1.000 EA
HW5100A06	W2420-025 WVY WSHR (WB)	1.000 EA
37EP3204B00	MASTER,DE,307 BRG,GREASER,LOCKED BEARING	1.000 EA
10XN2520A28	1/4-20X 1 3/4 HEX HD	4.000 EA
HW1001A25	LOCKWASHER 1/4, ZINC PLT .493 OD, .255 I	4.000 EA
HW4500A01	1641B(ALEMITE)400 UNIV, GREASE FITT	1.000 EA
XY3118A12	5/16-18 HEX NUT DIRECTIONAL SERRATION	4.000 EA
37CB4516	LIPPED LID FOR 37 FRAME NEC KOBX	1.000 EA
51XW0832A07	8-32 X .44, TAPTITE II, HEX WSHR SLTD SE	4.000 EA
HW2501F21	KEY, 5/16 SQ X 2.375	1.000 EA
HA7000A02	KEY RETAINER RING, 1 1/8 DIA, 1 3/8 DIA	1.000 EA
85XU0407S04	4X1/4 U DRIVE PIN STAINLESS	2.000 EA
LB1115N	LABEL,LIFTING DEVICE (ON ROLLS)	1.000 EA
LB1508	LABEL "SHAFT GROUNDING BRUSH" 1.50 X .81	1.000 EA
MJ1000A02	GREASE, POLYREX EM EXXON (USe 4824-15A)	0.050 LB
MG1000Y03	MUNSELL 2.53Y 6.70/ 4.60, GLOSS 20,	0.028 GA
HA3104A39	THRUBOLT-5/16-18 X 12.250	4.000 EA

Parts List (continued)		
Part Number	Description	Quantity
37AD2001A01	BAFFLE PLATE, PLASTIC 0.63" WIDTH	2.000 EA
LB1119N	WARNING LABEL	1.000 EA
LC0006	CONNECTION LABEL	1.000 EA
MN416A01	TAG-INSTAL-MAINT no wire (1200/bx) 5/18	1.000 EA
NP1259L	ALUM SUPER-E UL CSA-EEV CC NEMA PREMIUM	1.000 EA
36PA1001	PKG GRP, PRINT PK1017A06	1.000 EA
PE-0000001	ZRTG PE ASSEMBLY	1.000 EA
FE-0000001	ZRTG FE ASSEMBLY	1.000 EA

AC Induction Motor Performance Data

Record # 50483 - Typical performance - not guaranteed values

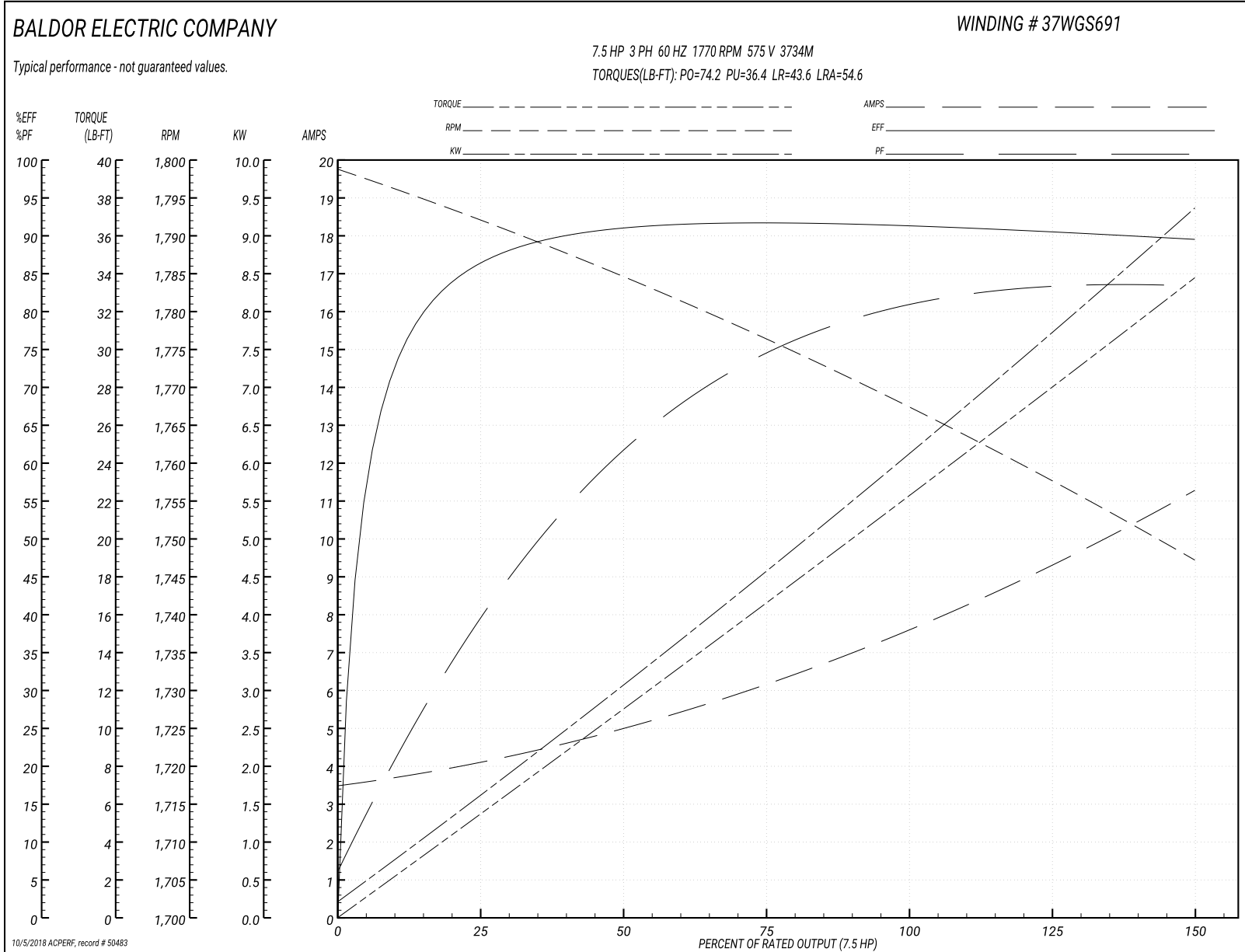
Winding: 37WGS691-R003	Type: 3734M	Enclosure: OPSB
-------------------------------	--------------------	------------------------

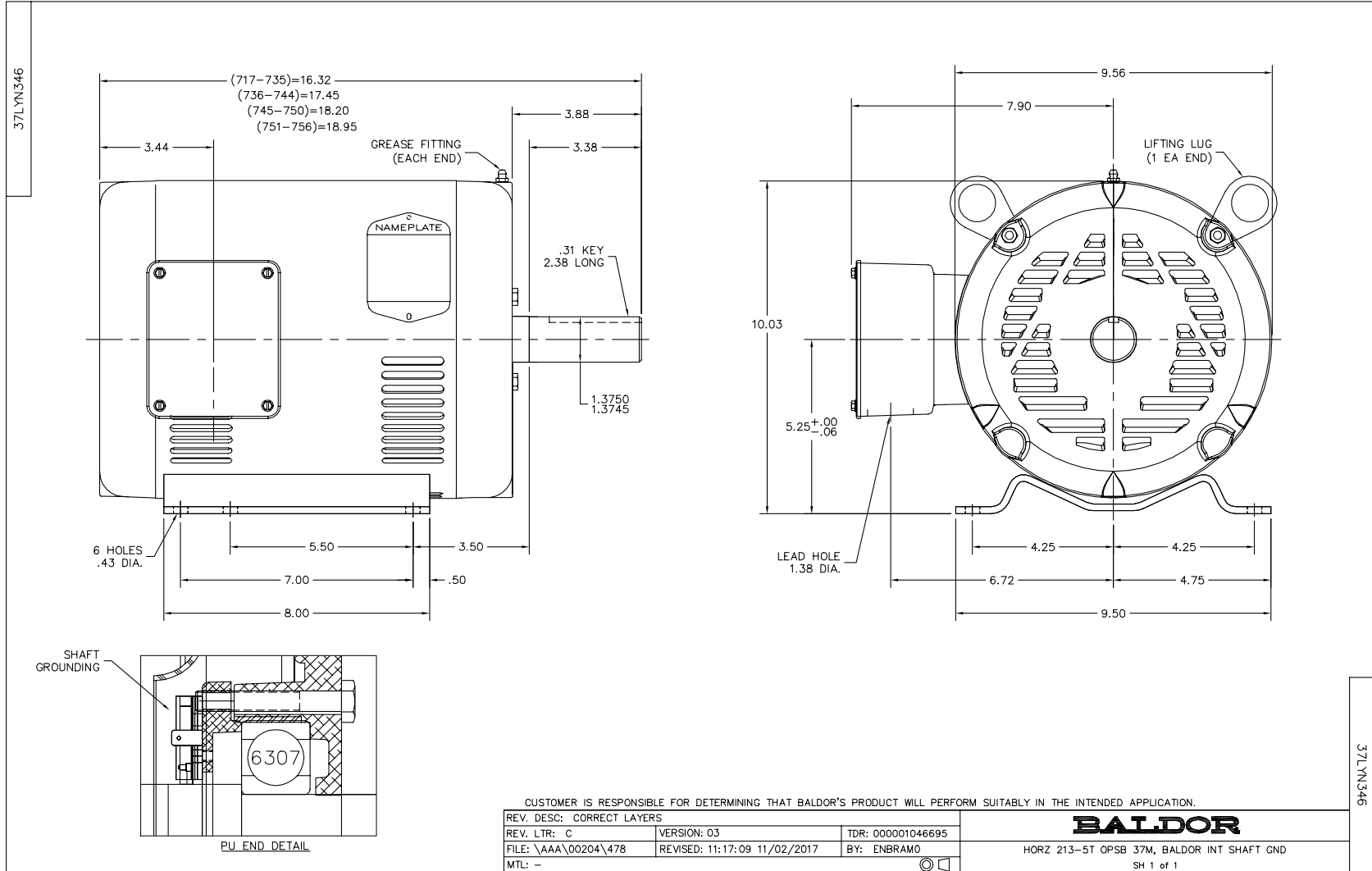
Nameplate Data				575 V, 60 Hz: Single Voltage Motor	
Rated Output (HP)	7.5			Full Load Torque	22.4 LB-FT
Volts	575			Start Configuration	direct on line
Full Load Amps	7.6			Breakdown Torque	74.2 LB-FT
R.P.M.	1770			Pull-up Torque	36.4 LB-FT
Hz	60	Phase	3	Locked-rotor Torque	43.6 LB-FT
NEMA Design Code	A	KVA Code	J	Starting Current	54.6 A
Service Factor (S.F.)	1.15			No-load Current	3.6 A
NEMA Nom. Eff.	91.7	Power Factor	79	Line-line Res. @ 25°C	2.33 Ω
Rating - Duty	40C AMB-CONT			Temp. Rise @ Rated Load	36°C
S.F. Amps				Temp. Rise @ S.F. Load	44°C
				Locked-rotor Power Factor	37.7
				Rotor inertia	0.836 LB-FT ²

Load Characteristics 575 V, 60 Hz, 7.5 HP

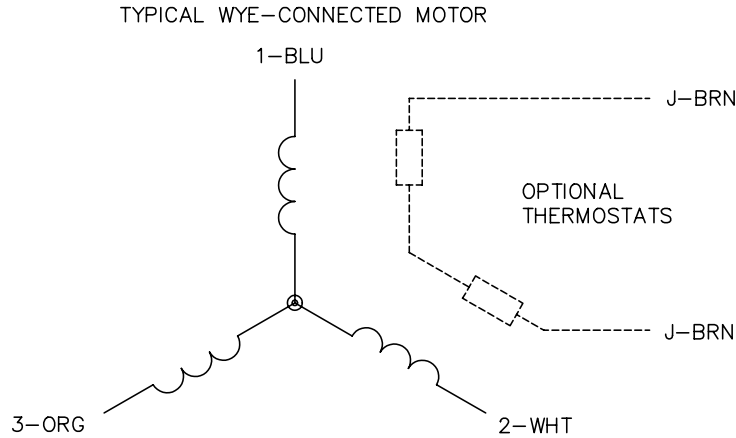
% of Rated Load	25	50	75	100	125	150	S.F.
Power Factor	41	63	74	80	83	84	81
Efficiency	85.9	91.1	91.8	91.3	90.6	89.5	91.5
Speed	1792	1784	1777	1767	1758	1747	1767
Line amperes	3.96	4.92	6.19	7.73	9.37	11.2	8.68

Performance Graph at 575V, 60Hz, 7.5HP Typical performance - Not guaranteed values





CD0006



NOTES:

1. THREE LEAD MOTOR MAY BE EITHER WYE CONNECTED OR DELTA CONNECTED.
2. INTERCHANGE ANY TWO LINE LEADS TO REVERSE ROTATION.
3. OPTIONAL THERMOSTATS ARE PROVIDED WHEN SPECIFIED.
4. ACTUAL NUMBER OF INTERNAL PARALLEL CIRCUITS MAY VARY.
5. LEAD COLORS ARE OPTIONAL. LEADS MUST BE NUMBERED AS SHOWN.

REV. DESC: REVISE TO SHOW OPTIONAL COLORS			
REV. LTR: D	BY: JLP	REVISED: 01/21/99 4:02	TDR: 0171435
9000D		FILE: AAA00005141	MDL: -
		MTL: -	

BALDOR ELECTRIC Co.

3PH, SV, 3 LEADS, WYE OR DELTA CONNECTED

CD0006