

BALDOR® • RELIANCE 

Product Information Packet

EM3702T

2HP,865RPM,3PH,60HZ,213T,3732M,TEFC,F1,N

Part Detail							
Revision:	D	Status:	PRD/A	Change #:		Proprietary:	No
Type:	AC	Elec. Spec:	37WGS277	CD Diagram:	CD0005	Mfg Plant:	
Mech. Spec:	37G813	Layout:	37LYG813	Poles:	08	Created Date:	04-07-2015
Base:	RG	Eff. Date:	08-23-2016	Leads:	9#14		

Specs			
Catalog Number:	EM3702T	Insulation Class:	F
Enclosure:	TEFC	Inverter Code:	Inverter Ready
Frame:	213T	KVA Code:	H
Frame Material:	Steel	Lifting Lugs:	Standard Lifting Lugs
Output @ Frequency:	2.000 HP @ 60 HZ	Locked Bearing Indicator:	No Locked Bearing
Synchronous Speed @ Frequency:	900 RPM @ 60 HZ	Motor Lead Quantity/Wire Size:	9 @ 14 AWG
Voltage @ Frequency:	460.0 V @ 60 HZ	Motor Lead Exit:	Ko Box
	230.0 V @ 60 HZ	Motor Lead Termination:	Flying Leads
XP Class and Group:	None	Motor Type:	3732M
XP Division:	Not Applicable	Mounting Arrangement:	F1
Agency Approvals:	CSA	Power Factor:	62
	UR	Product Family:	General Purpose
Auxillary Box:	No Auxillary Box	Pulley End Bearing Type:	Ball
Auxillary Box Lead Termination:	None	Pulley Face Code:	Standard
Base Indicator:	Rigid	Pulley Shaft Indicator:	Standard
Bearing Grease Type:	Polyrex EM (-20F +300F)	Rodent Screen:	None
Blower:	None	Shaft Extension Location:	Pulley End
Current @ Voltage:	3.500 A @ 460.0 V	Shaft Ground Indicator:	No Shaft Grounding

	7.000 A @ 230.0 V	Shaft Rotation:	Reversible
	7.200 A @ 208.0 V	Shaft Slinger Indicator:	No Slinger
Design Code:	B	Speed Code:	Single Speed
Drip Cover:	No Drip Cover	Motor Standards:	NEMA
Duty Rating:	CONT	Starting Method:	Direct on line
Electrically Isolated Bearing:	Not Electrically Isolated	Thermal Device - Bearing:	NONE (OLD)
Feedback Device:	NO FEEDBACK	Thermal Device - Winding:	None
Front Face Code:	Standard	Vibration Sensor Indicator:	No Vibration Sensor
Front Shaft Indicator:	None	Winding Thermal 1:	None
Heater Indicator:	No Heater	Winding Thermal 2:	None

Nameplate NP2116L	
CAT.NO.	EM3702T
SPEC.	37G813S277G1
HP	2
VOLTS	230/460
AMP	7/3.5
RPM	865
FRAME	213T
HZ	60
PH	3
SER.F.	1.15
CODE	H
DES	B
CL	F
NEMA-NOM-EFF	84
PF	62
RATING	40C AMB-CONT
CC	010A
USABLE AT 208V	7.2
DE	6307
ODE	6206
ENCL	TEFC
SN	

Parts List		
Part Number	Description	Quantity
SA296337	SA 37G813S277G1	1.000 EA
RA282379	RA 37G813S277G1	1.000 EA
HW3200A01	3/8-16X3/4 I-BLT WELDED F/S	1.000 EA
37CB3006	37 CB CASTING W/1.38 LEAD HOLE @ 6:00	1.000 EA
37GS1000SP	GASKET, CONDUIT BOX STD., .06 THICK LEXI	1.000 EA
51XW2520A12	.25-20 X .75, TAPTITE II, HEX WSHR SLTD	2.000 EA
11XW1032G06	10-32 X .38, TAPTITE II, HEX WSHR SLTD U	1.000 EA
37EP3101A01	FR ENDPLATE, FOR ROUTING PURPOSES	1.000 EA
HW4500A01	1641B(ALEMITE)400 UNIV, GREASE FITT	1.000 EA
HW5100A06	W2420-025 WVY WSHR (WB)	1.000 EA
37PE3100A01	PUEP ASSEMBLY - ROUTING PUPROSES	1.000 EA
HW4500A01	1641B(ALEMITE)400 UNIV, GREASE FITT	1.000 EA
XY3118A12	5/16-18 HEX NUT DIRECTIONAL SERRATION	4.000 EA
51XB1214A20	12-14X1.25 HXWSSLD SERTYB	1.000 EA
07FH4007SP	PRIMED	1.000 EA
51XW1032A06	10-32 X .38, TAPTITE II, HEX WSHR SLTD S	3.000 EA
37CB4516	LIPPED LID FOR 37 FRAME NEC KOBX	1.000 EA
37GS1008	37 GS FOR CB LID - LEXIDE	1.000 EA
51XW0832A07	8-32 X .44, TAPTITE II, HEX WSHR SLTD SE	4.000 EA
HW2501F21	KEY, 5/16 SQ X 2.375	1.000 EA
HA7000A02	KEY RETAINER RING, 1 1/8 DIA, 1 3/8 DIA	1.000 EA
85XU0407S04	4X1/4 U DRIVE PIN STAINLESS	2.000 EA
LB1115N	LABEL,LIFTING DEVICE (ON ROLLS)	1.000 EA
MJ1000A02	GREASE, POLYREX EM EXXON (USe 4824-15A)	0.050 LB

Parts List (continued)		
Part Number	Description	Quantity
36FN3000C02SP	EXFN, PLASTIC, 5.25 OD, 1.175 ID	1.000 EA
MG1000G27	MED CHARCOAL METALLIC GREY 400-0096	0.028 GA
HA3104A14	THRUBOLT- 5/16-18 X12.125(OHIO)	4.000 EA
LC0005E01	CONN.DIA./WARNING LABEL (LC0005/LB1119N)	1.000 EA
NP2116L	ALUM SUPER-E UL CSA CC	1.000 EA
G0PA1000	PKG GRP, PRINT PK1026A06	1.000 EA
MN416A01	TAG-INSTAL-MAINT no wire (1200/bx) 5/18	1.000 EA

AC Induction Motor Performance Data

Record # 49983 - Typical performance - not guaranteed values

Winding: 37WGS277-R008	Type: 3732M	Enclosure: TEFC
-------------------------------	--------------------	------------------------

Nameplate Data				460 V, 60 Hz: High Voltage Connection	
Rated Output (HP)	2			Full Load Torque	11.9 LB-FT
Volts	230/460			Start Configuration	direct on line
Full Load Amps	7/3.5			Breakdown Torque	29 LB-FT
R.P.M.	865			Pull-up Torque	16.9 LB-FT
Hz	60	Phase	3	Locked-rotor Torque	18.2 LB-FT
NEMA Design Code	B	KVA Code	H	Starting Current	16 A
Service Factor (S.F.)	1.15			No-load Current	2.17 A
NEMA Nom. Eff.	84	Power Factor	62	Line-line Res. @ 25°C	5.9 Ω
Rating - Duty	40C AMB-CONT			Temp. Rise @ Rated Load	36°C
S.F. Amps				Temp. Rise @ S.F. Load	43°C
				Locked-rotor Power Factor	34.8
				Rotor inertia	0.796 LB-FT ²

Load Characteristics 460 V, 60 Hz, 2 HP

% of Rated Load	25	50	75	100	125	150	S.F.
Power Factor	26	43	54	62	66	69	64
Efficiency	75.5	83.7	85.9	85	84.1	81.8	84.5
Speed	892	884	876	866	854	838	859
Line amperes	2.28	2.57	2.98	3.51	4.18	4.94	3.91

Performance Graph at 460V, 60Hz, 2.0HP Typical performance - Not guaranteed values

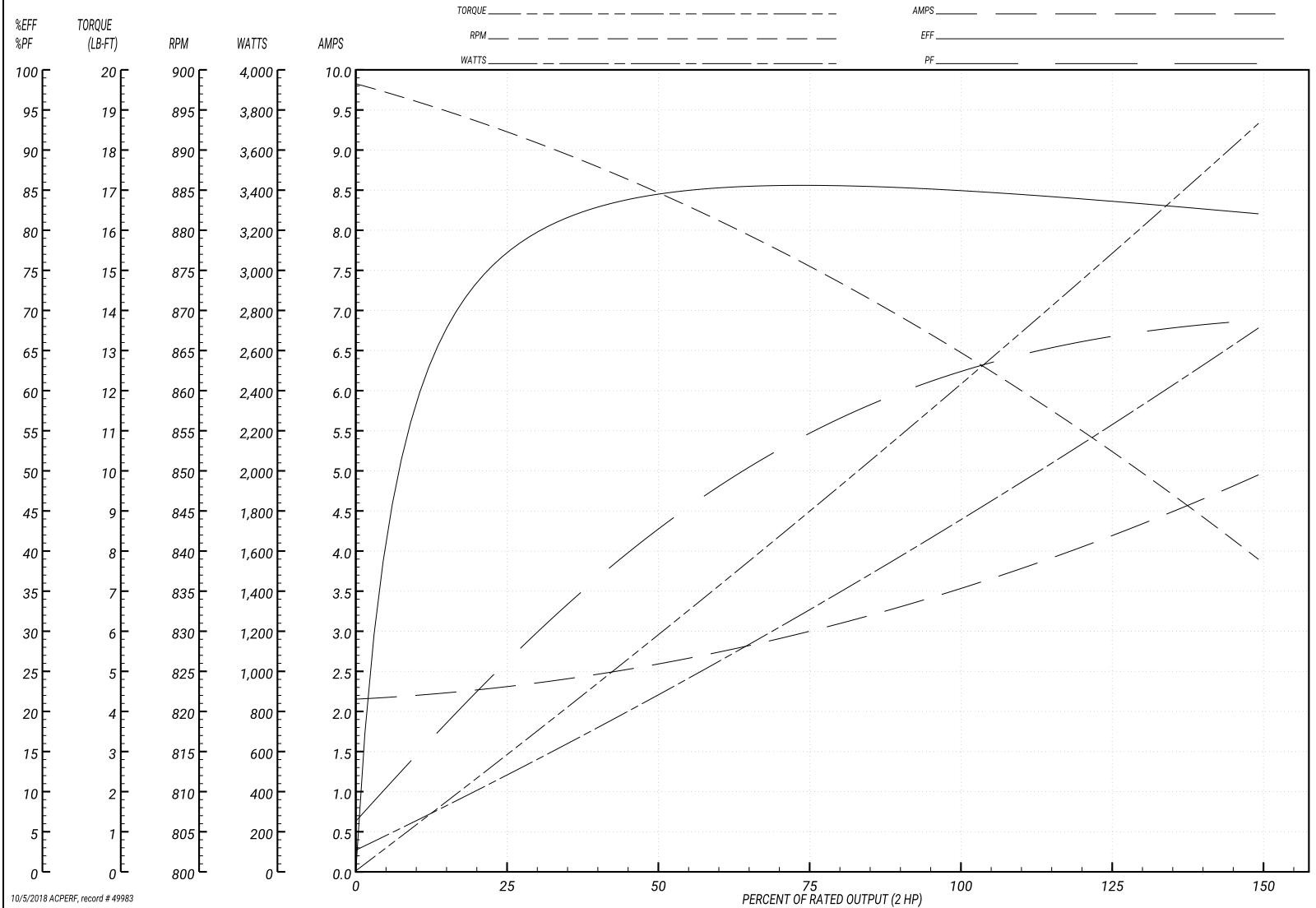
BALDOR ELECTRIC COMPANY

WINDING # 37WGS277

Typical performance - not guaranteed values.

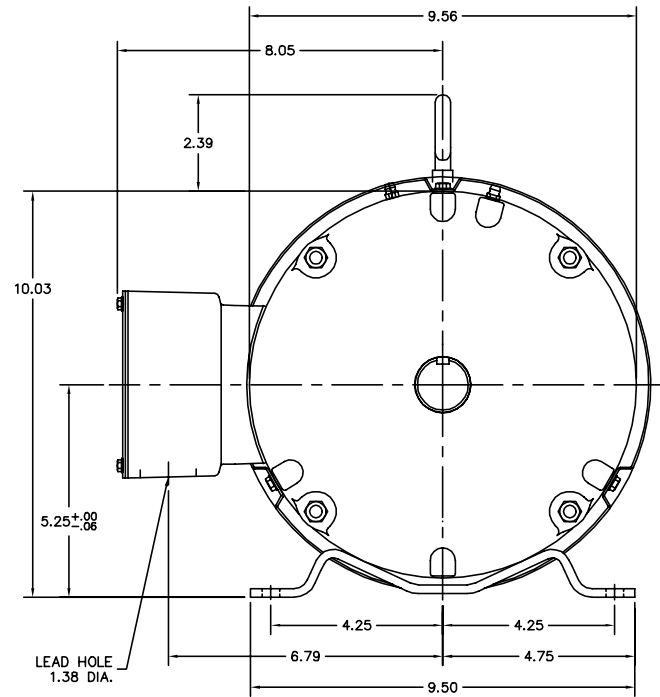
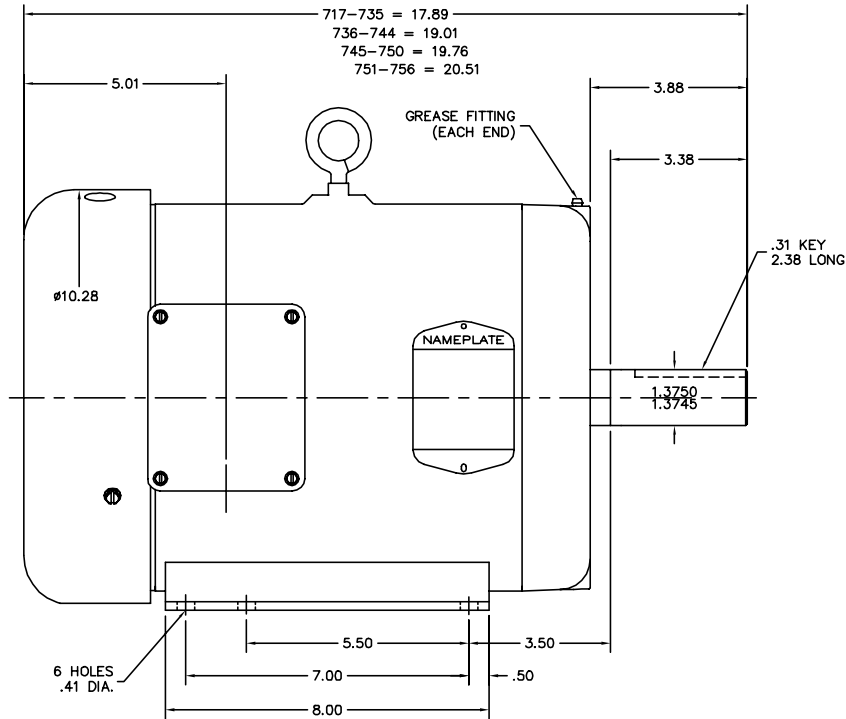
2 HP 3 PH 60 HZ 865 RPM 460 V 3732M

TORQUES(LB-FT): P0=29 PU=16.9 LR=18.2 LRA=16



10/5/2018 ACPERF, record # 49983

37LYG813



CUSTOMER IS RESPONSIBLE FOR DETERMINING THAT MOTOR PERFORMANCE IS SUITABLE IN THE APPLICATION.

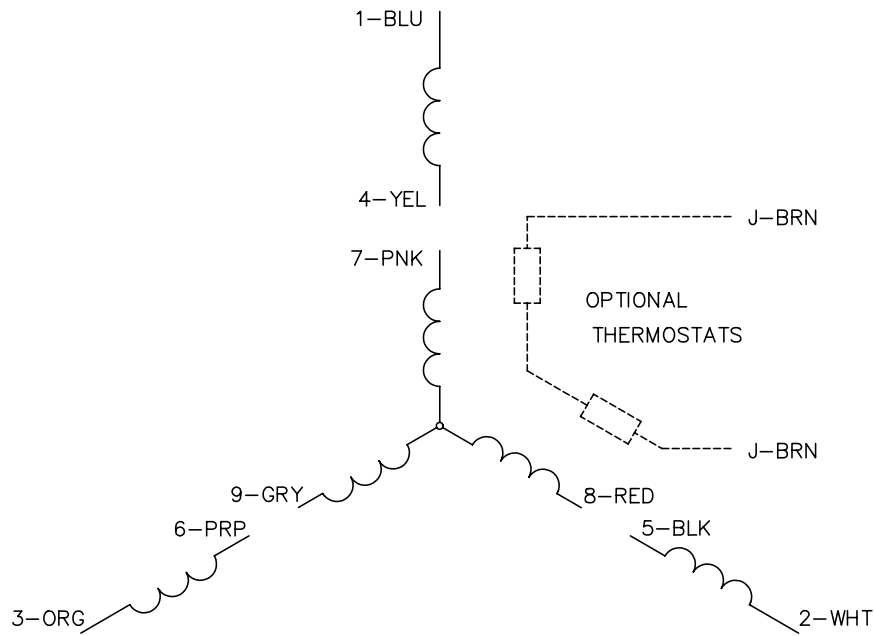
REV. DESC: ADDED KOBX LEAD HOLE DIM			
REV. LTR: F	BY: RMP	REVISED: 16:06:08 09/08/2004	TDR: 342766
FILE: AAA00050966		REF: 37LYG813	
MTL: -			

BALDOR ELECTRIC Co.

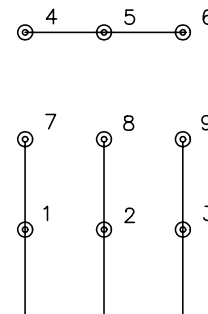
HORZ 213-5T TEFC 37M W/EPACT SHOVE

37LYG813

CD0005

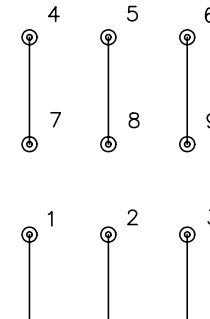


LOW VOLTAGE
(2Y)



LINE

HIGH VOLTAGE
(1Y)



LINE

NOTES:

1. INTERCHANGE ANY TWO LINE LEADS TO REVERSE ROTATION.
2. OPTIONAL THERMOSTATS ARE PROVIDED WHEN SPECIFIED.
3. ACTUAL NUMBER OF INTERNAL PARALLEL CIRCUITS MAY BE A MULTIPLE OF THOSE SHOWN ABOVE.
4. LEAD COLORS ARE OPTIONAL. LEADS MUST ALWAYS BE NUMBERED AS SHOWN.

REV. DESC: REVISE TO SHOW OPTIONAL COLORS			
REV. LTR: E	BY: JLP	REVISED: 01/19/99 10:15	TDR: 0171435
90000		FILE: AAA00005140	MDL: -
		MTL: -	

BALDOR ELECTRIC Co.

3PH, DV, 9 LEADS

CD0005