

BALDOR® • RELIANCE 

Product Information Packet

EM4408TR-4

250HP, 1785RPM, 3PH, 60HZ, 449T, TEFC, F1

Part Detail							
Revision:	F	Status:	PRD/A	Change #:		Proprietary:	No
Type:	AC	Elec. Spec:	A44WG5150	CD Diagram:	416820-036	Mfg Plant:	
Mech. Spec:		Layout:	617427-209	Poles:	04	Created Date:	04-13-2015
Base:		Eff. Date:	02-22-2018	Leads:	3#1/0 (02 per group)		

Specs			
Catalog Number:	EM4408TR-4	Insulation Class:	F
Enclosure:	TEFC	Inverter Code:	Inverter Ready
Frame:	449T	IP Rating:	NONE
Frame Material:	Iron	KVA Code:	G
Output @ Frequency:	250.000 HP @ 60 HZ	Lifting Lugs:	No Lifting Lugs
Synchronous Speed @ Frequency:	1800 RPM @ 60 HZ	Motor Lead Quantity/Wire Size:	6 @ 1/0 AWG
Voltage @ Frequency:	460.0 V @ 60 HZ	Motor Type:	A44144M
XP Class and Group:	None	Mounting Arrangement:	F1
XP Division:	Not Applicable	Power Factor:	88
Agency Approvals:	CCSA US	Product Family:	General Industrial
	CSA EEV	Pulley End Bearing Type:	Ball
Auxillary Box:	No Auxillary Box	Pulley Face Code:	Standard
Base Indicator:	Rigid	Shaft Ground Indicator:	No Shaft Grounding
Bearing Grease Type:	Polyrex EM (-20F +300F)	Shaft Rotation:	Reversible
Current @ Voltage:	276.000 A @ 460.0 V	Shaft Slinger Indicator:	No Slinger
Design Code:	B	Speed Code:	Single Speed
Drip Cover:	No Drip Cover	Motor Standards:	NEMA
Duty Rating:	CONT	Starting Method:	Direct on line

Feedback Device:	NO FEEDBACK	Thermal Device - Bearing:	None
Heater Indicator:	No Heater	Thermal Device - Winding:	None

Nameplate NP2496L

MOBIL SHC 220 GREASE

Nameplate NP2349L											
SPEC NO.	A44-7126-5150			CAT.NO.	EM4408TR-4			FRAME	449T		
HP	250	VOLTS	460	PHASE	3	DESIGN	B	TYPE	P		
RPM	1785	AMPS	276	HZ	60	AMB	40	SF	1.15		
DRIVE END BEARING	110RU02M30X			DUTY	CONT		INSUL.CLASS	F			
OPP D.E. BEARING	90BC03J30X			ENCL	TEFC		CODE	G			
SER.NO.				POWER FACTOR	88		NEMA-NOM-EFFICIENCY	96.2			
							MAX CORR KVAR	39		GUARANTEED EFFICIENCY	95.4
							NEMA NOM/CSA QUOTED EFF				
							MOTOR WEIGHT				

Parts List		
Part Number	Description	Quantity
SA299284	SA A44-7126-5150	1.000 EA
RA286299	RA A44-7126-5150	1.000 EA
421948051	LABEL, MYLAR	1.000 EA
NP2496L	MOTOR LUBE NAMEPLATE	1.000 EA
000613006PU	N/P (RELEASE QTY 10,000) UL CSA LABEL	1.000 EA
000692000FF	N/P	1.000 EA
000692000VD	LABEL WARNING	1.000 EA
NP2349L	SUPER-E ,SS, CSA, CSA SUPER-E	1.000 EA
418151014H	RETAIN RING	1.000 EA
089490099A	G28 BRKT 089490098WCA KB	1.000 EA
415072001B	CLAMP	1.000 EA
083199126RA	G28 MOLDED FAN COVER W/BAFFLE ASSEMBLY	1.000 EA
034180014DA	KEY 1/4X1/4X1-3/4 L	1.000 EA
078548001R	FAN KB 234/150 (84) 400	1.000 EA
004824015AP	GREASE MOBILITH SHC 220	1.160 LB
032018020FK	HHCS 3/4-10X2-1/2 PLTD.	4.000 EA
032018008CK	HHCS 3/8-16X1L PLATED	4.000 EA
032018030DK	HHCS 1/2-13X3-3/4 PLTD.	3.000 EA
415096002A	CPLG 1/8 HEX TYPE	1.000 EA
034630002AB	CPLG 1/4" PLATED	1.000 EA
034017014AB	LCKW 3/8 STD. PLATED	4.000 EA
034530064BB	P/NIP 1/4X8 PLATED	1.000 EA
034530064AB	P/NIP 1/8 X 8" L Pipe Nipple	1.000 EA
034690005AB	PPLG 3/4 PLATED	1.000 EA

Parts List (continued)		
Part Number	Description	Quantity
034690002AB	PPLG 1/4" PLTD.	1.000 EA
034690001AB	1/8" NPT SQHDPLG	1.000 EA
032620016LA	SOCKET SET SCREW-449	3.000 EA
702623022A	G28 AIR DEFLECTOR DRIVE END -- PLASTIC	1.000 EA
418151014G	RETAIN RING	1.000 EA
418151014G	RETAIN RING	1.000 EA
034630002AB	CPLG 1/4" PLATED	1.000 EA
034530072BB	PIPE NIPPLE,DE - 440-BS	1.000 EA
034690002AB	PPLG 1/4" PLTD.	1.000 EA
034690001AB	1/8" NPT SQHDPLG	1.000 EA
702623013A	THERMAL BARRIER -- G28 -- BRACKET MTD	1.000 EA
032018004BK	HHCS 5/16-18X1/2 PLATED	3.000 EA
034017013AB	LCKW 5/16 STD. PLATED	3.000 EA
089490101A	G28 BRKT 089490100WCA	1.000 EA
032018020FK	HHCS 3/4-10X2-1/2 PLTD.	4.000 EA
032018030DK	HHCS 1/2-13X3-3/4 PLTD.	3.000 EA
034530072AB	P/NIP 1/8X9"L Threaded both ends	1.000 EA
415096002A	CPLG 1/8 HEX TYPE	1.000 EA
032018006BK	HHCS 5/16-18X3/4 PLATED	3.000 EA
034001013AB	FLTW BAFFLE	3.000 EA
415915007G	GASK, LAC	1.000 FT
702658001B	+C/BOX, PAINTED 440	1.000 EA
702658002A	+C/BOX CVR, PAINTED 440	1.000 EA
406056008A	GASKET, TERBD 440	1.000 EA

Product Information Packet: EM4408TR-4 - 250HP,1785RPM,3PH,60HZ,449T,TEFC,F1

418153001A	GASK 440	1.000 EA
418150003A	GREASE FITTING CAP	1.000 EA
MG1025Y17	WILKOFAS, 789.701, SUPER E PEARL GOLD	0.500 GA
032018008DK	HHCS 1/2-13X1 PLATED	4.000 EA
035000001A	ALFTG 1/8" 1610-BL	1.000 EA
415000103D	T/LUG #4AWG-1/0AWG W/HOLE FOR .250 BOLT	1.000 EA
033512006LB	HHTTS 1/4-20X3/4 PLTD.	8.000 EA
406099000A	PLUG - FAN COVER 320-440	1.000 EA
033512004LB	HHTTS 1/4-20X1/2 PLTD.	1.000 EA
035000001A	ALFTG 1/8" 1610-BL	1.000 EA
418150003A	GREASE FITTING CAP	1.000 EA
033775004EA	DRSCR #6-1/4 304 S.S.	2.000 EA
034180054KA	KEY 7/8X7/8X6-3/4 L	1.000 EA
604797056	400-447 FRAME 60 X 42	1.000 EA
032510026D	CARRIAGE BOLT - 440	2.000 EA
034001014AB	FLAT WASHER 3/8"PLATED	2.000 EA
032018028CK	HHCS 3/8-16X3-1/2 PLTD.	1.000 EA
604797001R	440 FR. ROLLER BEARING MOTOR SHAFT	1.000 EA
000692000RT	N/P	1.000 EA
034001016AB	WSHR .562ID 1.375OD .109	2.000 EA
034001014AB	FLAT WASHER 3/8"PLATED	1.000 EA
033300014AC	HEX NUT, SHIPPING - 400	2.000 EA
604799003C	PLASTIC BAG 42X32X46	1.000 EA
034001016AB	WSHR .562ID 1.375OD .109	1.000 EA

REL. S.O.	FRAME	HP	TYPE	PHASE/ HERTZ	RPM	VOLTS
	449TSC	250	P	3/60	1785	460
AMPS	DUTY	AMB °C/ INSUL.	S.F.	NEMA DESIGN	CODE LETTER	ENCL.
276	CONT	40/F	1.15	B	G	TEFC
E/S	ROTOR	TEST S.O.	TEST DATE	STATOR RES. @25 °C OHMS (BETWEEN LINES)		
833428	418143052LE	---	---	.0128		

PERFORMANCE


LOAD	HP	AMPERES	RPM	POWER FACTOR %	EFFICIENCY %
NO LOAD	0	67.9	1800	4.53	0
1/4	62.6	94.4	1796	65.7	94.4
2/4	125	145	1792	83.6	96.2
3/4	187	208	1788	87.6	96.4
4/4	250	276	1783	88.3	96.2
5/4	313	345	1778	88.6	95.7

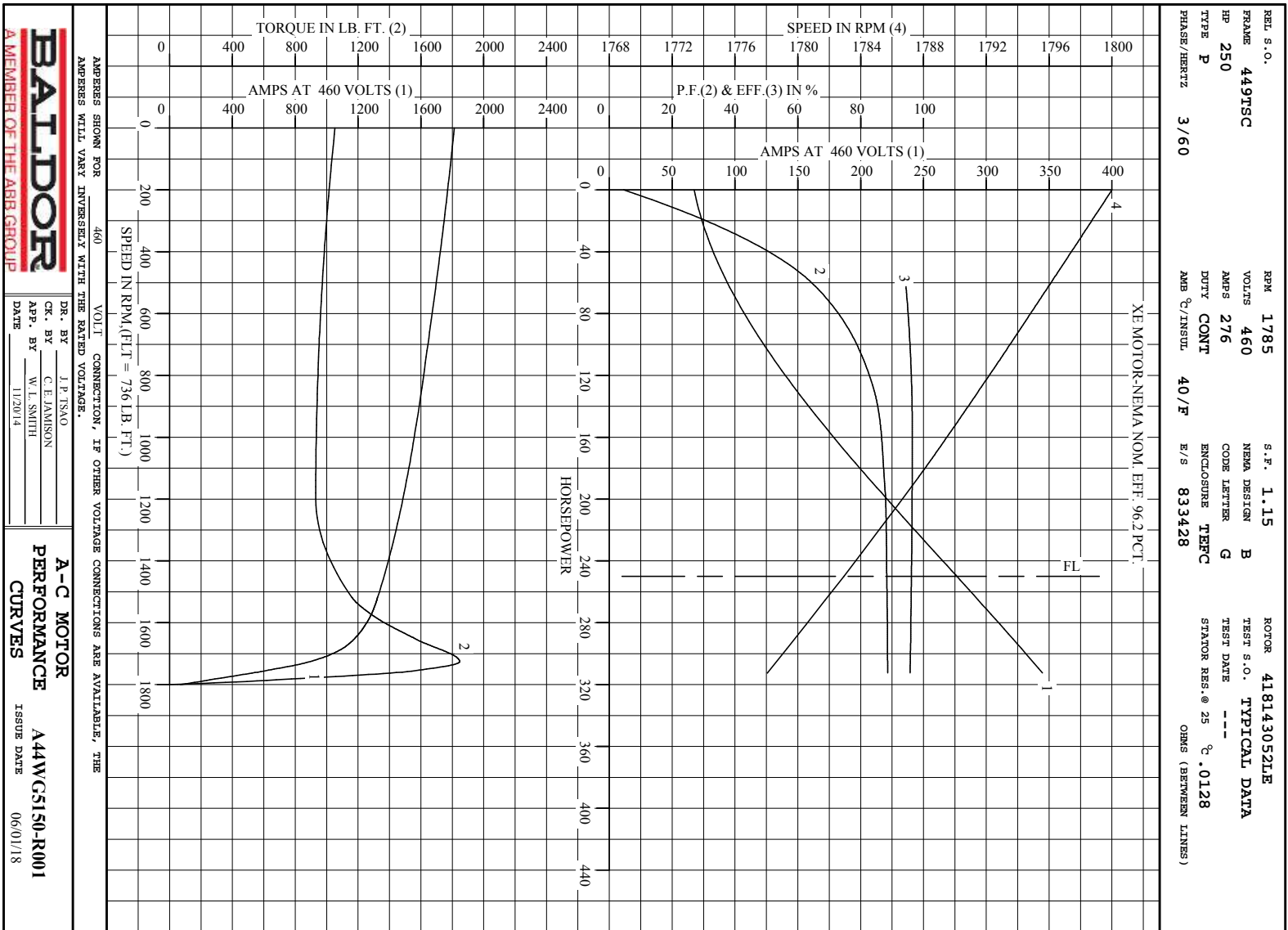
SPEED TORQUE

	RPM	TORQUE % FULL LOAD	TORQUE LB.-FT.	AMPERES
LOCKED ROTOR	0	143	1053	1813
PULL UP	1200	126	931	1486
BREAKDOWN	1726	251	1847	893
FULL LOAD	1783	100	736	276

AMPERES SHOWN FOR 460. VOLT CONNECTION. IF OTHER VOLTAGE CONNECTIONS ARE AVAILABLE, THE AMPERES WILL VARY INVERSELY WITH THE RATED VOLTAGE

REMARKS : TYPICAL DATA
 XE MOTOR-NEMA NOM. EFF. 96.2 PCT.

 A MEMBER OF THE ABB GROUP	DR. BY J. P. TSAO CK. BY C. E. JAMISON APP. BY W. L. SMITH DATE 11/20/14	A-C MOTOR PERFORMANCE DATA A44WG5150-R001 ISSUE DATE 06/01/18
--	---	--

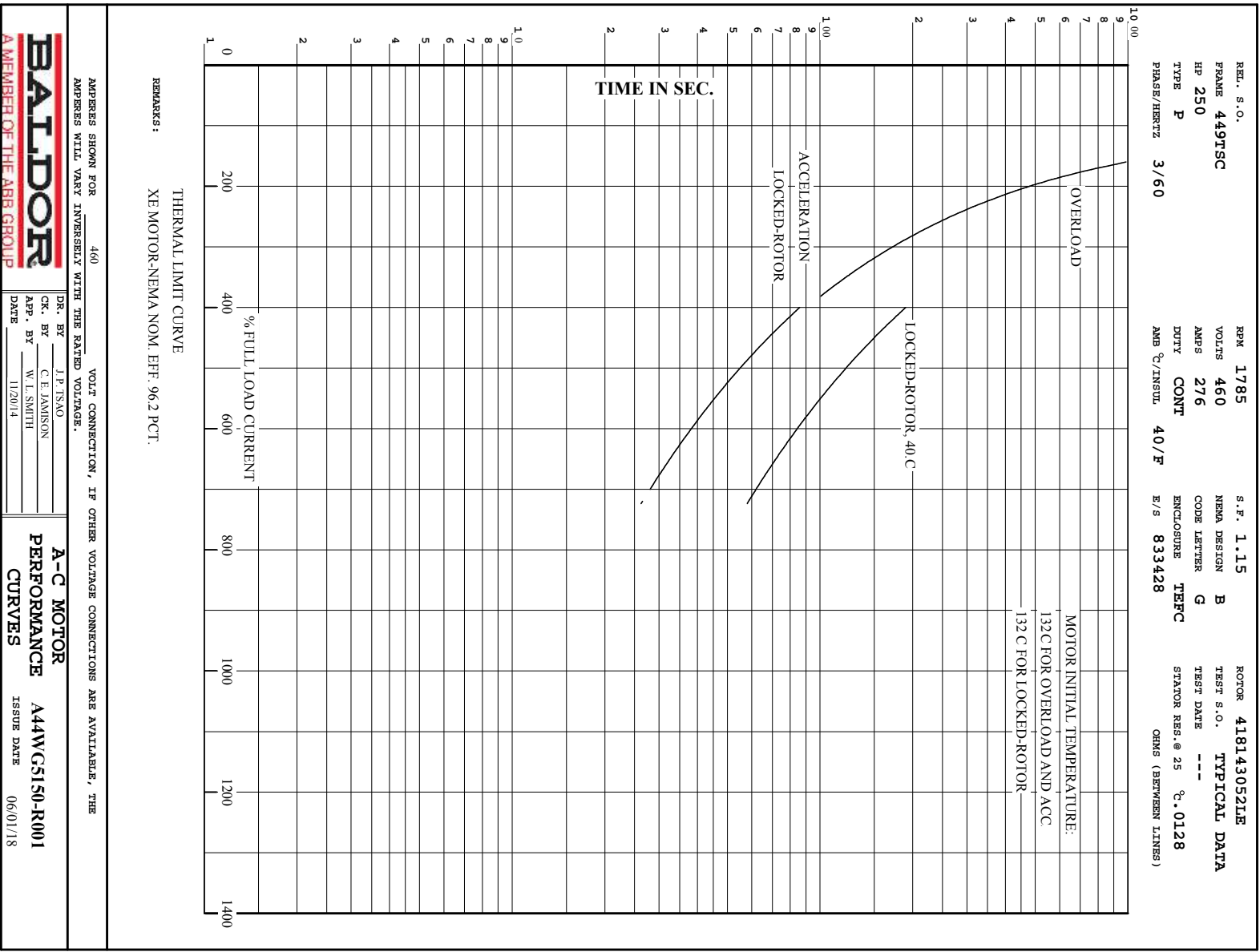


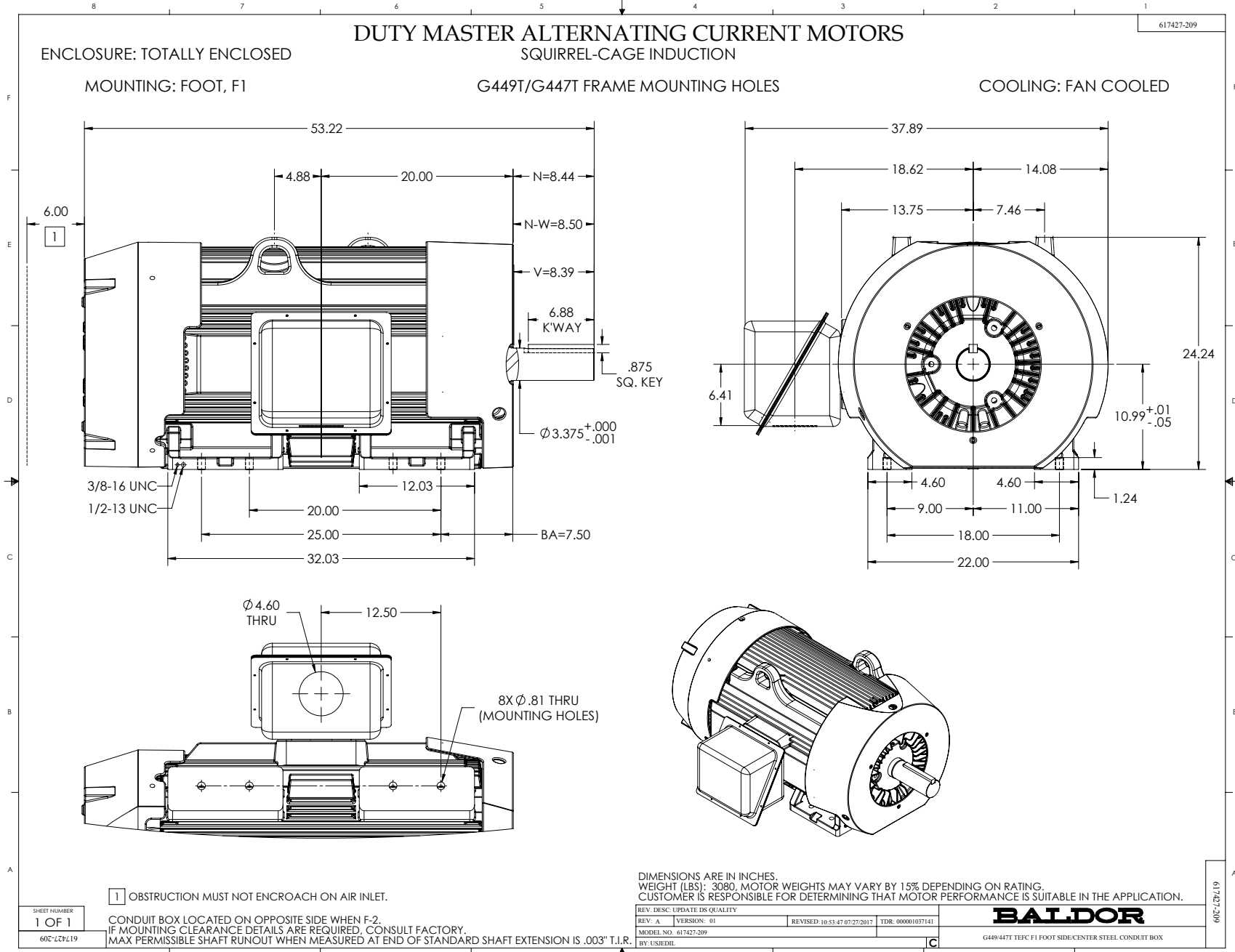
BALDOR
A MEMBER OF THE ABB GROUP

DR. BY J. P. TSAO
 CK. BY C. E. JAMISON
 APP. BY W. L. SMITH
 DATE 11/20/14

A-C MOTOR
PERFORMANCE
CURVES
A44WC5150-R001
 ISSUE DATE 06/01/18

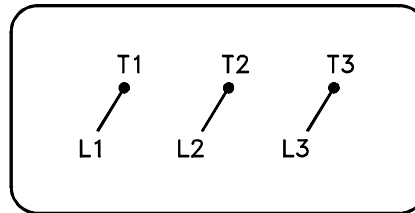
Printed on 6/1/18 13:39 @ bengap01.baldor.com





416820-036

A-C MOTOR
 CONNECTION DIAGRAM
 STANDARD 3 LEAD CONNECTED



(N.P. 1575-BA)

416820-036

REV. DESC: LOADED TO BUS, C/R 335225		
REV. LTR: -	VERSION: 00	TDR: 000000538207
FILE: \MGA\00000\682	REVISED: 11:54:06 04/30/2010	
MTL: -	BY: RAGRA	

BALDOR

CONN DIAG - STANDARD 3 LEAD

SH 1 of 1

Marketing maintained PDF of MN408:

<http://www.baldor.com/support/Literature/Load.ashx/MN408?ManNumber=MN408>

Marketing maintained PDF of MN416:

<http://www.baldor.com/support/Literature/Load.ashx/MN416?ManNumber=MN416>