

BALDOR® • RELIANCE 

Product Information Packet

EM7170T

10//7.5HP,1760//1465RPM,3PH,60//50HZ,215

Part Detail							
Revision:	L	Status:	PRD/A	Change #:		Proprietary:	No
Type:	AC	Elec. Spec:	07WGY179	CD Diagram:	CD0005	Mfg Plant:	
Mech. Spec:	07H271	Layout:	07LYH271	Poles:	04	Created Date:	06-18-2010
Base:	RG	Eff. Date:	01-24-2018	Leads:	9#14		

Specs			
Catalog Number:	EM7170T	Heater Indicator:	No Heater
Enclosure:	XPFC	Insulation Class:	B
Frame:	215T	Inverter Code:	Not Inverter
Frame Material:	Iron	KVA Code:	H
Output @ Frequency:	10.000 HP @ 60 HZ	Lifting Lugs:	Standard Lifting Lugs
	7.500 HP @ 50 HZ	Locked Bearing Indicator:	No Locked Bearing
Synchronous Speed @ Frequency:	1800 RPM @ 60 HZ	Motor Lead Quantity/Wire Size:	9 @ 14 AWG
Voltage @ Frequency:	460.0 V @ 60 HZ	Motor Lead Exit:	Ko Box
	380.0 V @ 50 HZ	Motor Lead Termination:	Flying Leads
	230.0 V @ 60 HZ	Motor Type:	0748M
	190.0 V @ 50 HZ	Mounting Arrangement:	F1
XP Class and Group:	CLI GP D; CLII GP F,G	Power Factor:	83
XP Division:	Division I	Product Family:	General Purpose
Agency Approvals:	CSA	Pulley End Bearing Type:	Ball
	UL	Pulley Face Code:	Standard
Auxillary Box:	No Auxillary Box	Pulley Shaft Indicator:	Standard
Auxillary Box Lead Termination:	None	Rodent Screen:	None
Base Indicator:	Rigid	RoHS Status:	ROHS COMPLIANT

Bearing Grease Type:	Polyrex EM (-20F +300F)	Shaft Extension Location:	Pulley End
Blower:	None	Shaft Ground Indicator:	No Shaft Grounding
Current @ Voltage:	24.400 A @ 230.0 V	Shaft Rotation:	Reversible
	22.600 A @ 190.0 V	Shaft Slinger Indicator:	No Slinger
	12.200 A @ 460.0 V	Speed Code:	Single Speed
	11.300 A @ 380.0 V	Motor Standards:	NEMA
Design Code:	B	Starting Method:	Direct on line
Drip Cover:	No Drip Cover	Thermal Device - Bearing:	NONE (OLD)
Duty Rating:	CONT	Thermal Device - Winding:	Normally Closed Thermostat
Electrically Isolated Bearing:	Not Electrically Isolated	Vibration Sensor Indicator:	No Vibration Sensor
Feedback Device:	NO FEEDBACK	Winding Thermal 1:	None
Front Face Code:	Standard	Winding Thermal 2:	None
Front Shaft Indicator:	None	XP Temp Code:	T3C

Nameplate NP1426XPSLEV	
NO.	<input type="text"/> CC 010A
SER.	<input type="text"/>
SPEC.	07H271Y179G2
CAT.NO.	EM7170T
HP	10//7.5 T. CODE T3C
VOLTS	230/460//190/380
AMPS	24.4/12.2//22.6/11.3
RPM	1760//1465
HZ	60//50 PH 3 CL B
SER.F.	1.00 DES B CODE H
RATING	40C AMB-CONT
FRAME	215T NEMA-NOM-EFF 91.7
USABLE AT 208V	PF 83
BLANK	<input type="text"/>

Parts List		
Part Number	Description	Quantity
SA198925	SA 07H271Y179G2	1.000 EA
RA186278	RA 07H271Y179G2	1.000 EA
37FN3002C01	EXFN, PLASTIC, 6.00 OD, 1.155 ID	1.000 EA
HA3210E08	.250X 7/8 PIN 312-57	1.000 EA
HW3201A05	3/8-16 EYEBOLT	1.000 EA
07CB1000A01	CONDUIT BOX MACH	1.000 EA
10XN3118A16	5/16-18X1 HEX HD CAP	4.000 EA
HW1001A31	LOCKWASHER 5/16, ZINC PLT .591 OD, .319 I	4.000 EA
11XW1032G06	10-32 X .38, TAPTITE II, HEX WSHR SLTD U	1.000 EA
WD1000B17	T&B CX35TN TERMINAL	1.000 EA
07EP1707A01	STD FRONT ENDPLATE EXPLOSION PROOF	1.000 EA
HW4500A19	1/4-28X1/4 SLOTTED PLUG F/S	2.000 EA
10XN3816K28	3/8-16 X 1.75 HEX HD CAP SCREW, GRADE 5	4.000 EA
HW1001A38	LOCKWASHER 3/8, ZINC PLT .688 OD, .382 I	4.000 EA
HW5100A06	W2420-025 WVY WSHR (WB)	1.000 EA
07EP1709A01	STANDARD PULLEY ENDPLATE EXPLOSION PROOF	1.000 EA
HW4500A19	1/4-28X1/4 SLOTTED PLUG F/S	2.000 EA
10XN3816K28	3/8-16 X 1.75 HEX HD CAP SCREW, GRADE 5	4.000 EA
HW1001A38	LOCKWASHER 3/8, ZINC PLT .688 OD, .382 I	4.000 EA
51XB1214A20	12-14X1.25 HXWSSLD SERTYB	1.000 EA
07FH1003A05	FAN HOUSING 307 EXPLOSION PROOF W/ GREAS	1.000 EA
10XN2520A12	O1/4-20X 3/4 HEX HEAD CAP	4.000 EA
07CB1500A01	CONDUIT BOX LID MACH	1.000 EA
10XN2520A16	1/4-20 X 1 HEX HEAD CAP SCR, ZINC PLATED	4.000 EA

Parts List (continued)		
Part Number	Description	Quantity
HW1001A25	LOCKWASHER 1/4, ZINC PLT .493 OD, .255 I	4.000 EA
HW2501F21	KEY, 5/16 SQ X 2.375	1.000 EA
HA7000A02	KEY RETAINER RING, 1 1/8 DIA, 1 3/8 DIA	1.000 EA
85XU0407S04	4X1/4 U DRIVE PIN STAINLESS	6.000 EA
LB1081F	ALUM XP CAUTION LABEL (FS PLANT ONLY-	1.000 EA
LB1115N	LABEL,LIFTING DEVICE (ON ROLLS)	1.000 EA
MJ1000A02	GREASE, POLYREX EM EXXON (USe 4824-15A)	0.050 LB
MG1025G29	WILKOFASST, 789.229, DARK CHARCOAL GRAY	0.036 GA
LB1119N	WARNING LABEL	1.000 EA
LC0145B01	CONNECTION LABEL	1.000 EA
NP1426XPSLEV	SS XP UL CSA-EEV CC CL-I GP-D	1.000 EA
07PA1011	PKG GRP, 07 CAST IRON PK1181	1.000 EA
10XL3808A28	3/8 X 1 3/4" LAG SCREW	2.000 EA
MN416A01	TAG-INSTAL-MAINT no wire (1200/bx) 5/18	1.000 EA

AC Induction Motor Performance Data

Record # 35567 - Typical performance - not guaranteed values

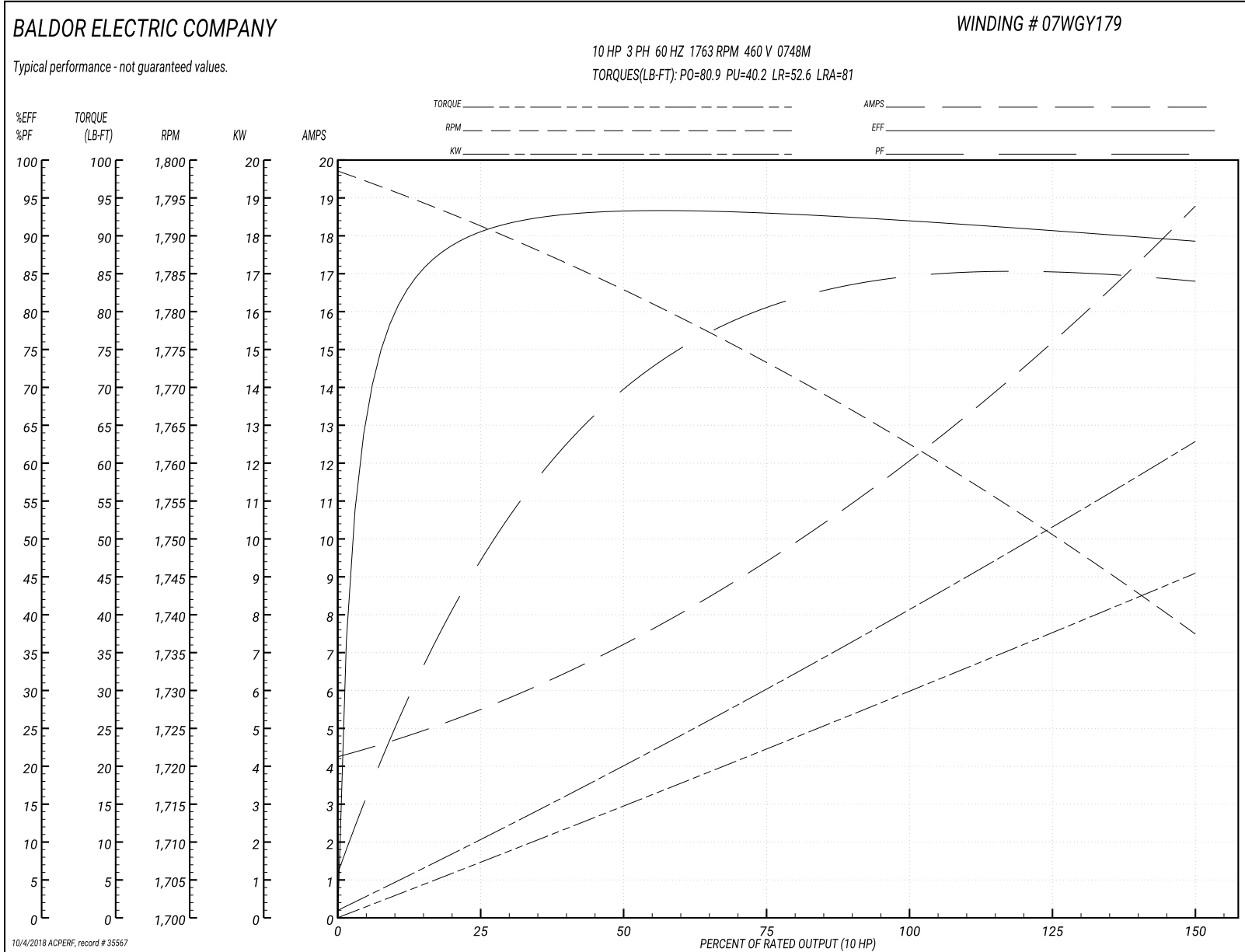
Winding: 07WGY179-R003	Type: 0748M	Enclosure: XPFC
-------------------------------	--------------------	------------------------

Nameplate Data				460 V, 60 Hz: High Voltage Connection	
Rated Output (HP)	10//7.5			Full Load Torque	29.8 LB-FT
Volts	230/460//190/380			Start Configuration	direct on line
Full Load Amps	24.4/12.2//22.6/11.3			Breakdown Torque	80.9 LB-FT
R.P.M.	1760//1465			Pull-up Torque	40.2 LB-FT
Hz	60//50	Phase	3	Locked-rotor Torque	52.6 LB-FT
NEMA Design Code	B	KVA Code	H	Starting Current	81 A
Service Factor (S.F.)	1			No-load Current	4.44 A
NEMA Nom. Eff.	91.7	Power Factor	83	Line-line Res. @ 25°C	1.08 Ω
Rating - Duty	40C AMB-CONT			Temp. Rise @ Rated Load	64°C
S.F. Amps				Temp. Rise @ S.F. Load	80°C
				Locked-rotor Power Factor	35
				Rotor inertia	1.18 LB-FT ²

Load Characteristics 460 V, 60 Hz, 10 HP

% of Rated Load	25	50	75	100	125	150
Power Factor	50	71	80	83	85	85
Efficiency	90.4	92.5	92.9	92.4	91	89.1
Speed	1791	1782	1774	1763	1751	1737
Line amperes	5.24	7.1	9.42	12.2	15.2	18.7

Performance Graph at 460V, 60Hz, 10.0HP Typical performance - Not guaranteed values



AC Induction Motor Performance Data

Record # 39916 - Typical performance - not guaranteed values

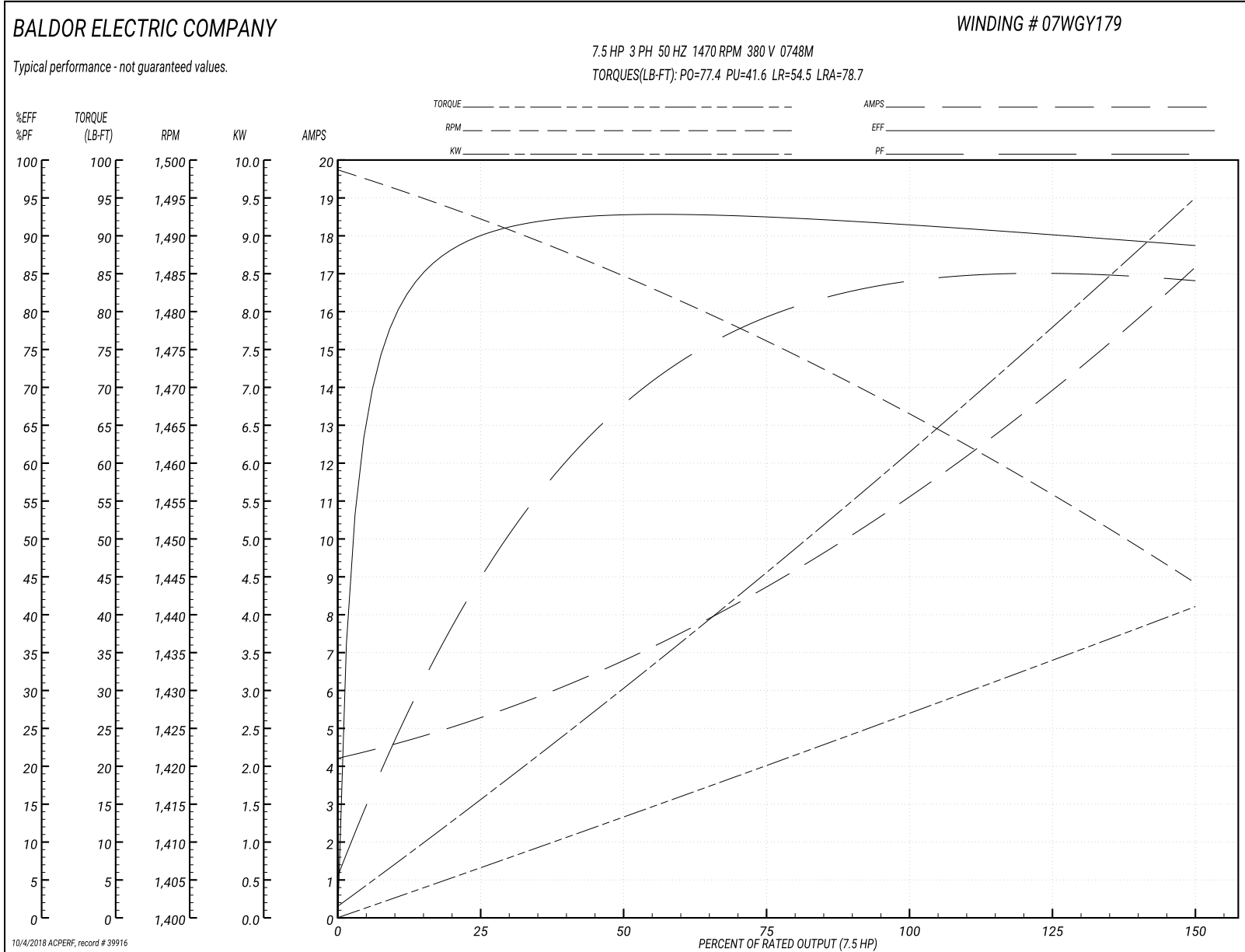
Winding: 07WGY179-R019	Type: 0748M	Enclosure: TEFC
-------------------------------	--------------------	------------------------

Nameplate Data				380 V, 50 Hz: High Voltage Connection	
Rated Output (HP)	7.5			Full Load Torque	26.8 LB-FT
Volts	190/380-400-415			Start Configuration	direct on line
Full Load Amps	22.6/11.3-11			Breakdown Torque	77.4 LB-FT
R.P.M.	1470			Pull-up Torque	41.6 LB-FT
Hz	50	Phase	3	Locked-rotor Torque	54.5 LB-FT
NEMA Design Code	A	KVA Code	J	Starting Current	78.7 A
Service Factor (S.F.)	1			No-load Current	4.38 A
NEMA Nom. Eff.	91.7	Power Factor	80	Line-line Res. @ 25°C	1.08 Ω
Rating - Duty	50C AMB-CONT			Temp. Rise @ Rated Load	57°C
				Locked-rotor Power Factor	39
				Rotor inertia	1.18 LB-FT ²

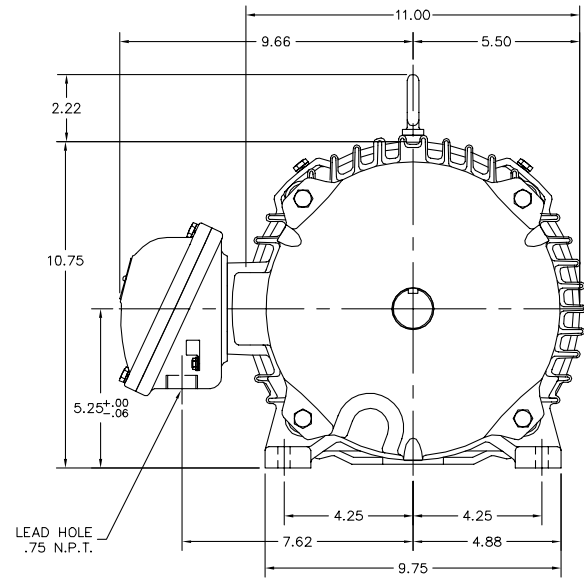
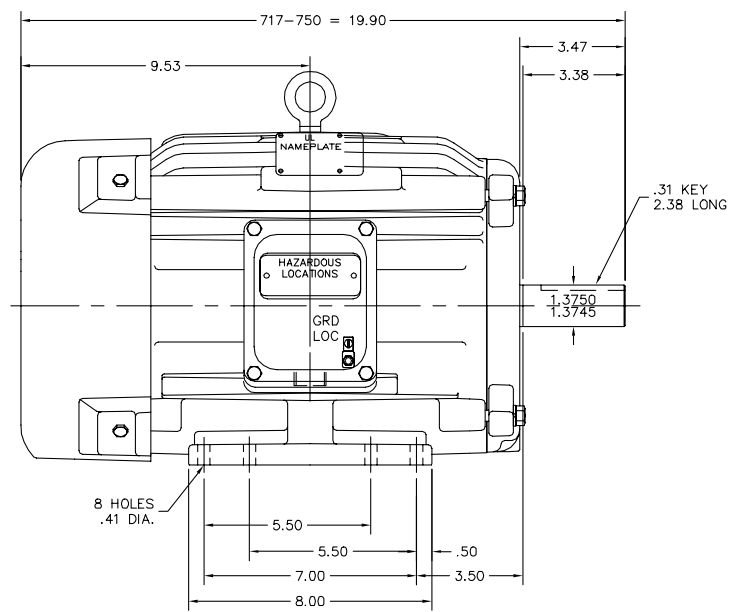
Load Characteristics 380 V, 50 Hz, 7.5 HP

% of Rated Load	25	50	75	100	125	150
Power Factor	47	69	79	83	85	85
Efficiency	90.1	92.1	92.4	91.8	90.4	88.6
Speed	1492	1484	1477	1467	1456	1444
Line amperes	5.06	6.67	8.74	11.2	13.9	17.1

Performance Graph at 380V, 50Hz, 7.5HP Typical performance - Not guaranteed values



07LYH271



CUSTOMER IS RESPONSIBLE FOR DETERMINING THAT MOTOR PERFORMANCE IS SUITABLE IN THE APPLICATION.

REV. DESC: UPDATE DESCRIPTION		
REV. LTR: B	VERSION: 01	TDR: 000000455347
FILE: \AAA\00005\928	REVISED: 11:23:02 02/04/2008	BY: ENBRAMO
MTL: -		

BALDOR • DODGE • RELIANCE

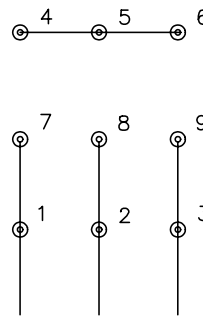
STD HORZ 213-ST XPFC X307M CL-I GP-D CL-II GP F&G

07LYH271

CD0005

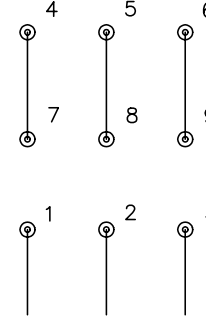


LOW VOLTAGE (2Y)



LINE

HIGH VOLTAGE (1Y)



LINE

NOTES:

1. INTERCHANGE ANY TWO LINE LEADS TO REVERSE ROTATION.
2. OPTIONAL THERMOSTATS ARE PROVIDED WHEN SPECIFIED.
3. ACTUAL NUMBER OF INTERNAL PARALLEL CIRCUITS MAY BE A MULTIPLE OF THOSE SHOWN ABOVE.
4. LEAD COLORS ARE OPTIONAL. LEADS MUST ALWAYS BE NUMBERED AS SHOWN.

REV. DESC: REVISE TO SHOW OPTIONAL COLORS			
REV. LTR: E	BY: JLP	REVISED: 01/19/99 10:15	TDR: 0171435
900000		FILE: AAA00005140	MDL: -
		MTL: -	

BALDOR ELECTRIC Co.

3PH, DV, 9 LEADS

CD0005