

**BALDOR® • RELIANCE** 

**Product Information Packet**

**EM74254T-4**

**250//200HP, 1780//1480RPM, 3PH, 60//50HZ, 44**

Part Detail							
Revision:	F	Status:	PRD/A	Change #:		Proprietary:	No
Type:	AC	Elec. Spec:	A44WG3311	CD Diagram:	416820-036	Mfg Plant:	
Mech. Spec:		Layout:	617426-166	Poles:	04	Created Date:	11-18-2015
Base:		Eff. Date:	06-15-2018	Leads:	3#2/0 (02 per group)		

Specs			
Catalog Number:	EM74254T-4	Duty Rating:	CONT
Enclosure:	TEFC	Feedback Device:	NO FEEDBACK
Frame:	449T	Heater Indicator:	No Heater
Frame Material:	Iron	Insulation Class:	F
Output @ Frequency:	250.000 HP @ 60 HZ	Inverter Code:	Not Inverter
	200.000 HP @ 50 HZ	IP Rating:	NONE
Synchronous Speed @ Frequency:	1800 RPM @ 60 HZ	KVA Code:	G
Voltage @ Frequency:	380.0 V @ 50 HZ	Motor Lead Quantity/Wire Size:	6 @ 2/0 AWG
	460.0 V @ 60 HZ	Motor Type:	A44160M
XP Class and Group:	CLI GP C,D; CLII GP F,G	Mounting Arrangement:	F1
XP Division:	Division I	Power Factor:	90
Agency Approvals:	CCSA US	Product Family:	General Industrial
	CSA	Pulley End Bearing Type:	Ball
	CSA EEV	Pulley Face Code:	Standard
	UL	Shaft Ground Indicator:	No Shaft Grounding
Auxillary Box:	No Auxillary Box	Shaft Rotation:	Reversible
Base Indicator:	Rigid	Shaft Slinger Indicator:	Shaft Slinger
Bearing Grease Type:	Polyrex EM (-20F +300F)	Speed Code:	Single Speed

<b>Current @ Voltage:</b>	263.000 A @ 380.0 V	<b>Motor Standards:</b>	NEMA
	270.000 A @ 460.0 V	<b>Starting Method:</b>	Direct on line
<b>Design Code:</b>	B	<b>Thermal Device - Bearing:</b>	None
<b>Drip Cover:</b>	No Drip Cover	<b>Thermal Device - Winding:</b>	Normally Closed Thermostat
		<b>XP Temp Code:</b>	T4

Nameplate NP2496L

MOBIL POLYREX EM

Nameplate 000613006PC		
CLASS I GROUP	C D X	NO. <input type="text"/>
CLASS II GROUP	F G X	
OPERATING TEMP CODE	T4 <input type="text"/>	

Nameplate NP2475L							
CAT.NO.	EM74254T-4	SPEC NO.	A44-8034-3311	FRAME	449T		
HP	250//200	PHASE	3	DESIGN	B	TYPE	P
RPM	1780//1480	HZ	60//50	AMB	40	SF	1.00
VOLTS	460//380	DUTY	CONT	INSUL.CLASS	F		
AMPS	270//263	ENCL	TEFC	CODE	G		
DRIVE END BEARING	90BC03J30X	NEMA-NOM-EFFICIENCY	96.2				
OPP D.E. BEARING	90BC03J30X						
SER.NO.				MOTOR WEIGHT			
	CL I,ZONE 1,GR IIA IIB,T4						

Parts List		
Part Number	Description	Quantity
SA310642	SA A44-8034-3311	1.000 EA
RA298039	RA A44-8034-3311	1.000 EA
421948051	LABEL, MYLAR	1.000 EA
NP2496L	MOTOR LUBE NAMEPLATE	1.000 EA
000692000FF	N/P	1.000 EA
000692000VD	LABEL WARNING	1.000 EA
LB1073	ALUM XP CAUTION LABEL	1.000 EA
000613006PC	N/P U/L (REL QTY 500)	1.000 EA
NP2475L	CP, SUPER-E, SS, CSA, CSA SUPER-E	1.000 EA
609158001D	SLGR - 440	1.000 EA
603284001W	SLGN - 449	1.000 EA
089448117E	G28 XP FT MT DE BRKT GRP E 0894480116WCB	1.000 EA
415072001B	CLAMP	1.000 EA
083199082A	G28 FAN COVER MACHINING SHORT VERSION	1.000 EA
034180014DA	KEY 1/4X1/4X1-3/4 L	1.000 EA
078557001E	FAN 440 078557001F	1.000 EA
004824015A	GREASE POLYREX EM	1.160 LB
032130024HB	HSHCS 1-8X3" PLATED	4.000 EA
032018008CK	HHCS 3/8-16X1L PLATED	4.000 EA
032018028DK	HHCS 1/2-13X3-1/2 PLTD.	3.000 EA
415096002A	CPLG 1/8 HEX TYPE	1.000 EA
034630002AB	CPLG 1/4" PLATED	1.000 EA
415044053AX	SLINGER,DE 6318 G440	1.000 EA
410700004A	WSHR	1.000 EA

Parts List (continued)		
Part Number	Description	Quantity
034017014AB	LCKW 3/8 STD. PLATED	4.000 EA
034530064BB	P/NIP 1/4X8 PLATED	1.000 EA
034530064AB	P/NIP 1/8 X 8" L Pipe Nipple	1.000 EA
032620016KB	HSHSS; 1/4X1/2	2.000 EA
034690002AB	PPLG 1/4" PLTD.	1.000 EA
032620016LA	SOCKET SET SCREW-449	3.000 EA
418151014G	RETAIN RING	1.000 EA
034630002AB	CPLG 1/4" PLATED	1.000 EA
034690002AB	PPLG 1/4" PLTD.	1.000 EA
702623018B	BRKT MOUNTED G28 XP T-BARRIER - 6318 BRG	1.000 EA
032018006BK	HHCS 5/16-18X3/4 PLATED	3.000 EA
034017013AB	LCKW 5/16 STD. PLATED	3.000 EA
089448117E	G28 XP FT MT DE BRKT GRP E 0894480116WCB	1.000 EA
032018028DK	HHCS 1/2-13X3-1/2 PLTD.	3.000 EA
415044053AX	SLINGER,DE 6318 G440	1.000 EA
034017016AB	LCKW 1/2" PLATED	3.000 EA
032620016KB	HSHSS; 1/4X1/2	2.000 EA
034530044AB	P/NIP 1/8X5-1/2L GALV.	1.000 EA
034530044BB	P/NIP 1/4X5-1/2L PLT	1.000 EA
415096002A	CPLG 1/8 HEX TYPE	1.000 EA
032130024HB	HSHCS 1-8X3" PLATED	4.000 EA
18CB1005A01	STD CONDUIT BOX 444-449T 318 EXPL PROOF	1.000 EA
18CB1505A01	STD CONDUIT BOX LID 444-449T 318 EXPL PR	1.000 EA
418150003A	GREASE FITTING CAP	1.000 EA



Product Information Packet: EM74254T-4 - 250//200HP,1780//1480RPM,3PH,60//50HZ,44

406055001B	GRFTG	1.000 EA
034017020AB	LWSHR 3/4" PLATED (419136)	10.000 EA
034017018AB	LCKW 5/8"	4.000 EA
035000001A	ALFTG 1/8" 1610-BL	1.000 EA
032130020FB	HSHCS 3/4-10X2-1/2L PLTD	10.000 EA
047024002J	TERMINAL LUG - MAKE FROM 047024002F	1.000 EA
406099000A	PLUG - FAN COVER 320-440	1.000 EA
032018008DK	HHCS 1/2-13X1 PLATED	1.000 EA
034017016AB	LCKW 1/2" PLATED	1.000 EA
032130020EB	HSHCS 5/8-11X2-1/2PLTD.	4.000 EA
406055001B	GRFTG	1.000 EA
035000001A	ALFTG 1/8" 1610-BL	1.000 EA
418150003A	GREASE FITTING CAP	1.000 EA
004824003CEH	WILKO PAINT 789.229	2.000 GA
033775004EA	DRSCR #6-1/4 304 S.S.	2.000 EA
034180054KA	KEY 7/8X7/8X6-3/4 L	1.000 EA
604797056	400-447 FRAME 60 X 42	1.000 EA
032510026D	CARRIAGE BOLT - 440	2.000 EA
034001014AB	FLAT WASHER 3/8"PLATED	2.000 EA
034001016AB	WSHR .562ID 1.375OD .109	2.000 EA
033300014AC	HEX NUT, SHIPPING - 400	2.000 EA
604799003C	PLASTIC BAG 42X32X46	1.000 EA

**DUTY MASTER ALTERNATING CURRENT MOTORS**

SQUIRREL-CAGE INDUCTION

COOLING: FAN COOLED

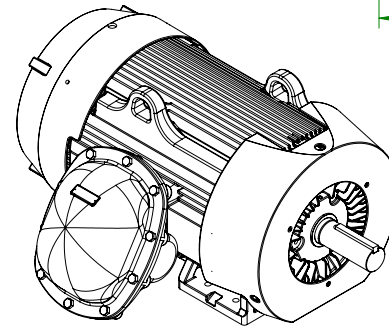
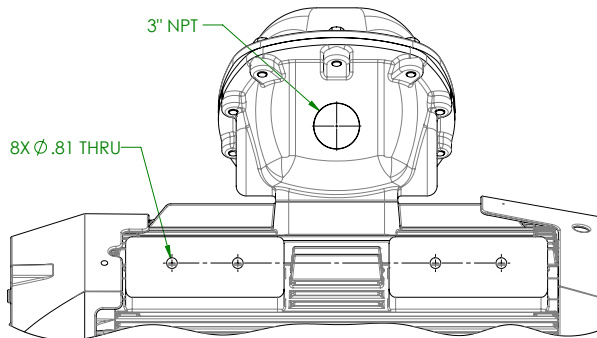
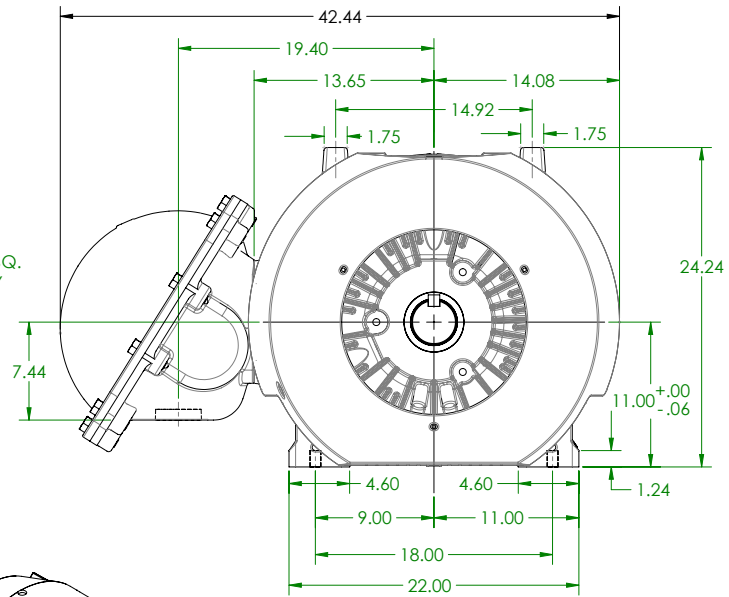
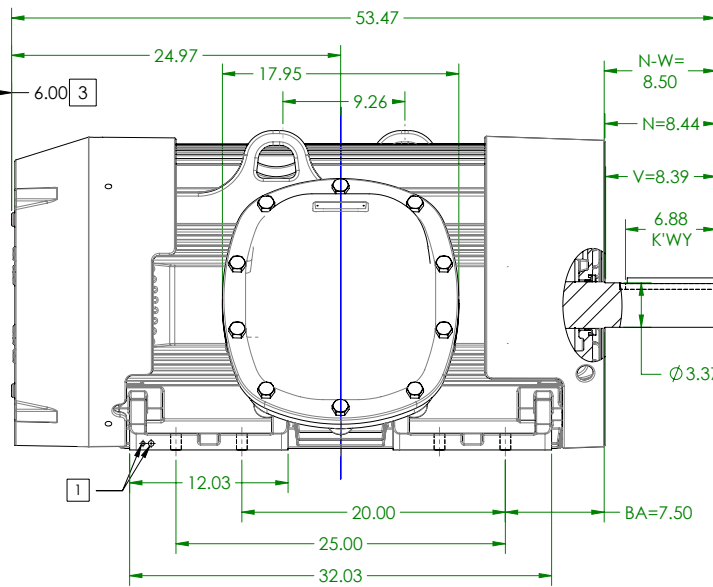
ENCLOSURE: UL LISTED MOTOR

FRAME G447T ABOVE NEMA RATINGS (1800 RPM MAX)

MOUNTING: FOOT, F-1

INCLUDES G449T FRAME MOUNTING HOLES

617426-166



- 1 GROUND HOLES QTY 1 1/2-13 TAP; QTY 1 3/8-16 TAP
  - 2 MOTOR WEIGHTS MAY VARY BY 15% DEPENDING ON RATING.
  - 3 OBSTRUCTION MUST NO ENCROACH ON AIR INLET
- 2 WEIGHT (LBS): 3180  
 DIMENSIONS ARE IN INCHES  
 CUSTOMER IS RESPONSIBLE FOR DETERMINING THAT MOTOR PERFORMANCE IS SUITABLE IN THE APPLICATION.

SHEET NUMBER  
1 OF 1  
991-9C7219

IF MOUNTING CLEARANCE DETAILS ARE REQUIRED, CONSULT FACTORY.  
 MAXIMUM PERMISSIBLE SHAFT RUNOUT WHEN MEASURED AT END OF  
 STANDARD SHAFT EXTENSION IS .003" T.I.R. TO 5 INCH DIA.

REV. DESC: NEW ISSUE	VERSION: 00	REVISED: 09-31-2016	TDR: 0000097634
MODEL NO: 617426-166			
BY: RAGGDM			

**BALDOR**

G449T/447T XP FT SIDE/CTR C/B - CL 1 C / CL 2 E,F & G 3"NPT

617426-166

## CONNECTION DIAGRAM ACCESSORIES

MOTOR WINDING THERMOSTATS	
CONTACTS _____ @ _____ °C	
FIGURE NUMBER _____	
CONTACT RATING	
VOLTS	CONTACT RATING CONTINUOUS AMPERES
110-120	3.0
220-240	1.5
440-480	0.75
550-600	0.60
	INRUSH AMPERES
	30
	15
	7.5
	6.0

NORMALLY CLOSED	THERMOSTATS	NORMALLY OPEN
FIGURE 1 		FIGURE 4 
FIGURE 2 		FIGURE 5 
FIGURE 3 		FIGURE 6 
FIGURE 7 		FIGURE 8 

CUSTOMER \_\_\_\_\_ CUSTOMER ORDER NO. \_\_\_\_\_ S.D. NO. \_\_\_\_\_

418174-006

418174-006

REV. DESC: LOADED TO BUS		TDR: 000000570390
REV. LTR: A	VERSION: 01	BY: RAGDRF
FILE: \RAG\00013\849	REVISED: 10:16:21 12/07/2010	
MTL: -		

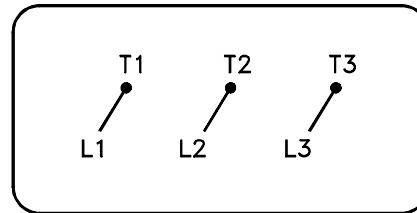
**BALDOR**

A-C MOTOR CONNECTION ACCESSORIES

SH 1 of 1

416820-036

A-C MOTOR  
 CONNECTION DIAGRAM  
 STANDARD 3 LEAD CONNECTED



(N.P. 1575-BA)

416820-036

REV. DESC: LOADED TO BUS, C/R 335225		
REV. LTR: -	VERSION: 00	TDR: 000000538207
FILE: \MGA\00000\682	REVISED: 11:54:06 04/30/2010	
MTL: -	BY: RAGRA	

**BALDOR**

CONN DIAG - STANDARD 3 LEAD  
 SH 1 of 1

Marketing maintained PDF of MN408:

<http://www.baldor.com/support/Literature/Load.ashx/MN408?ManNumber=MN408>

Marketing maintained PDF of MN416:

<http://www.baldor.com/support/Literature/Load.ashx/MN416?ManNumber=MN416>