

DATE
Sept. 8, 2005
CAT. #: EP0052

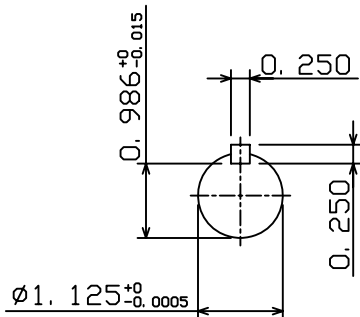
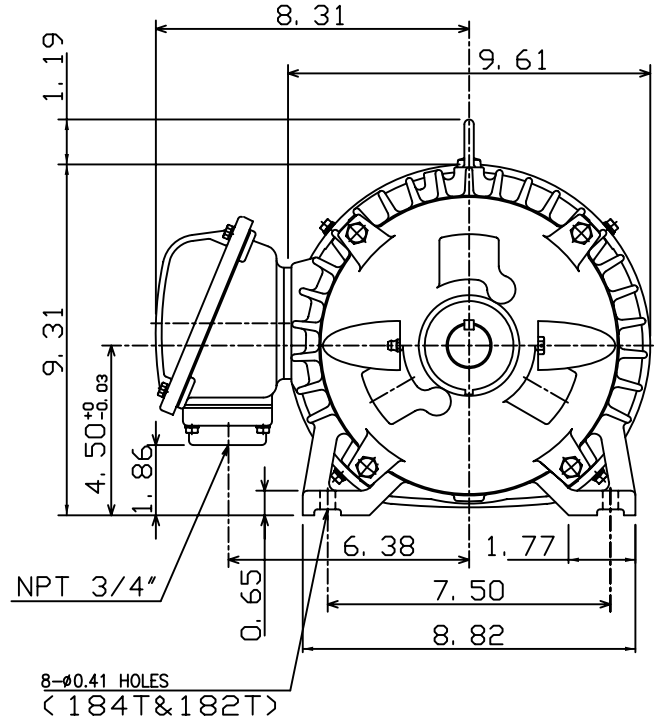
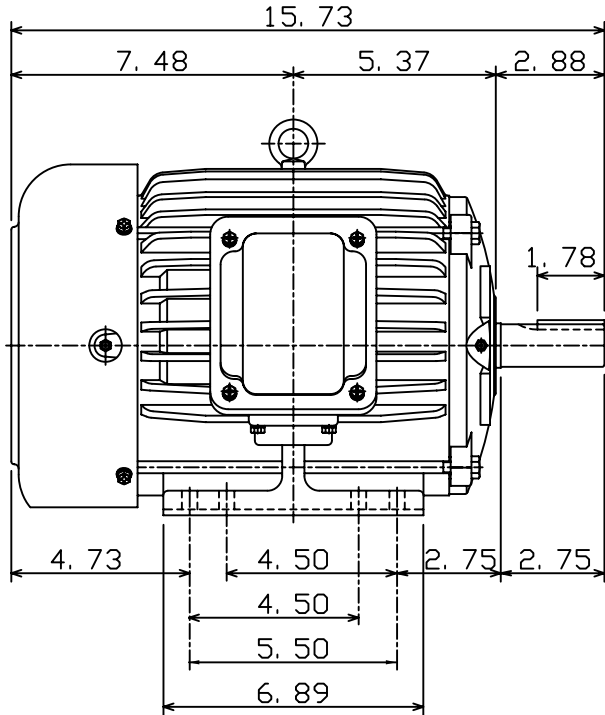
OUTLINE DIMENSIONS
3-PHASE INDUCTION MOTOR

MOTOR TYPE:
AEHH8N
FRAME NO. 184T

| Pole | HP | kW | Hz | VOLT | Syn. Speed r/min(rpm) |
|------|----|-----|----|---------|--------------------------|
| 2 | 5 | 3.7 | 60 | 230/460 | 3600 |

| Ins | Rating | Dimension in | Approx Weight | Bearings |
|-----|--------|--------------|---------------|------------------------|
| F | CONT. | inch | 112 lbs. | DE: 6306ZZ NDE: 6306ZZ |

Totally Enclosed Fan-Cooled Type, Squirrel-Cage Rotor.



| | | |
|-------|------------|----------|
| DWN. | C. S. LO | 12-22-04 |
| CHKD. | C. S. LO | 12-27-04 |
| APPD. | M. C. TSAI | 12-27-04 |

TEC Westinghouse

DWG NO.
31057H354030