

DATE
Sept. 25, 2006

OUTLINE DIMENSIONS
3-PHASE INDUCTION MOTOR

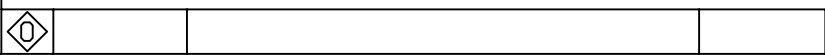
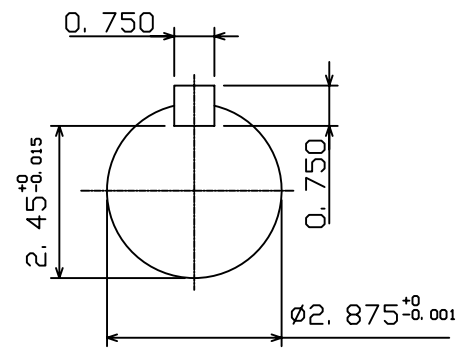
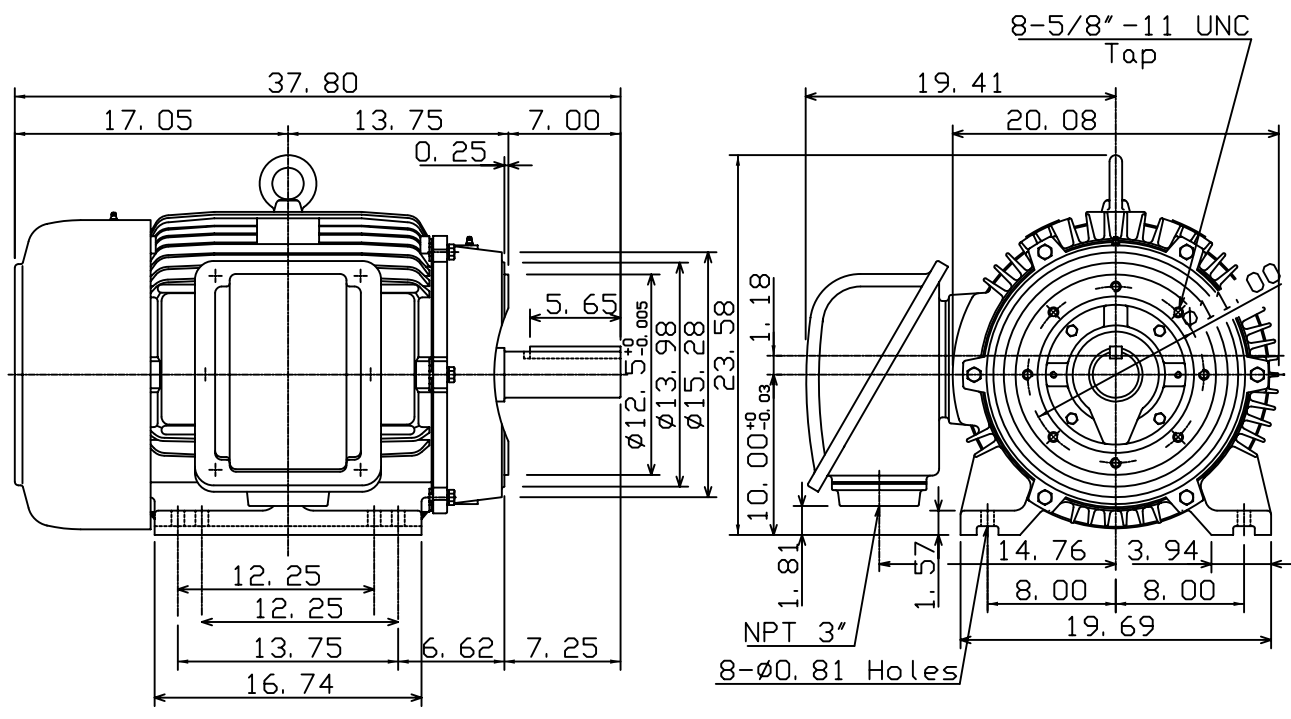
MOTOR TYPE:
AEHH8N-CF
FRAME NO. 405TC

Cat. #: EP1004C

Pole	HP	kW	Hz	VOLT	Syn. Speed r/min(rpm)
4	100	74.6	60	230/460	1800

Ins	Rating	Dimension in	Approx Weight	Bearings	
F	CONT.	inches	1310 lbs	DE: 6317	NDE: 6313

Totally Enclosed Fan Cooled Type. Squirrel-cage Rotor.



DWN.	K. L. KUO	01-11-05
CHKD.	C. H. KAO	01-28-05
APPD.	M. C. TSAI	01-28-05



DWG NO.
31057H373480