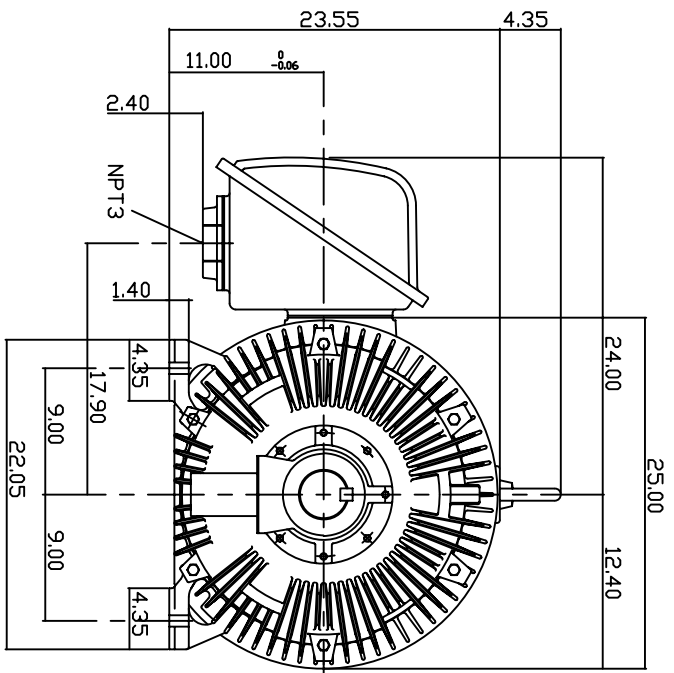
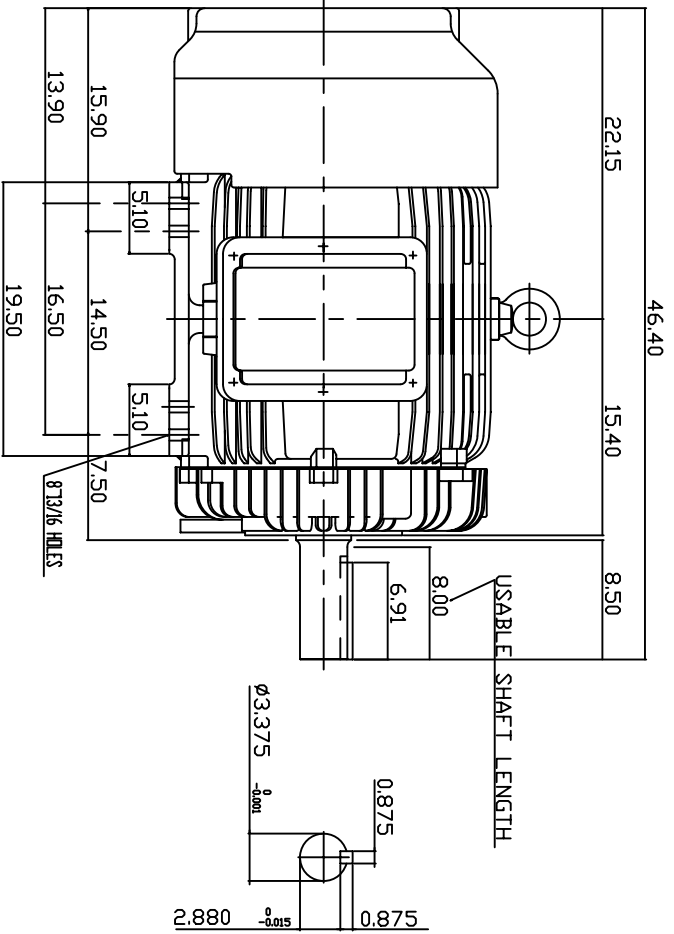


TYPE	OUTPUT		POLE	TIME RATING	VOLTAGE	Hz	SYNSPEED R.P.M.
	HP.	KW.					
AEH8N	125	93.3	6	CONT.	190/380	50	1000

TOTALLY ENCLOSED FAN-COOLED TYPE, SQUIRREL-CAGE ROTOR



NOTE:

1. DIMENSIONS IN INCH
2. FRAME NO. 445T
3. F CLASS INSULATION, S.F.115
4. FOR DIRECT FLEXIBLE COUPLING
5. ENCLOSURE: IP54
6. BEARING SIZE: DRIVE END: 6318
NON-DRIVE END: 6316
7. APPROX. WEIGHT: 1900 LBS

TW-56C

DWN.	S.DING	JAN '28 '2005
CHKD.	H.HUANG	JAN '28 '2005
APPD.	C.WANG	JAN '28 '2005

DATE	20050616	OUTLINE DIMENSIONS
CAT. #	EP1256-50	3-PHASE INDUCTION MOTOR

Westinghouse
Dwg No. 3A040Y651
REV: 00