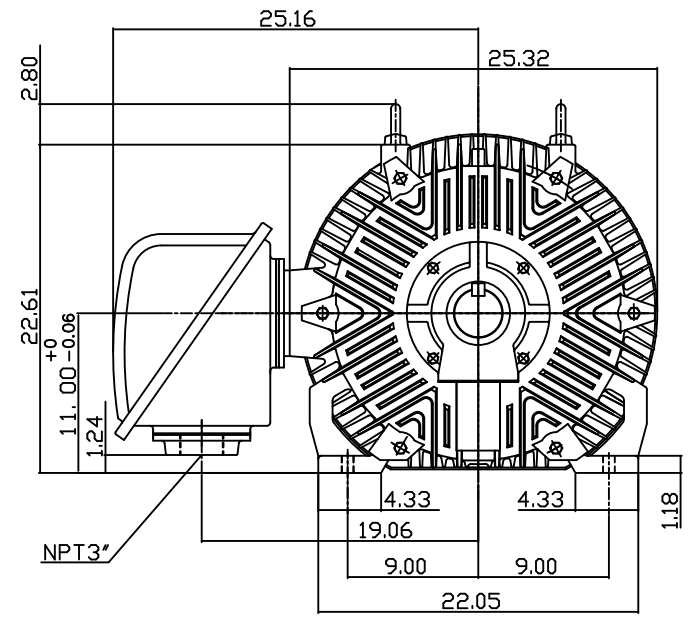
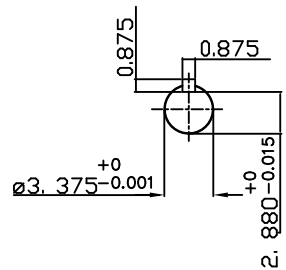
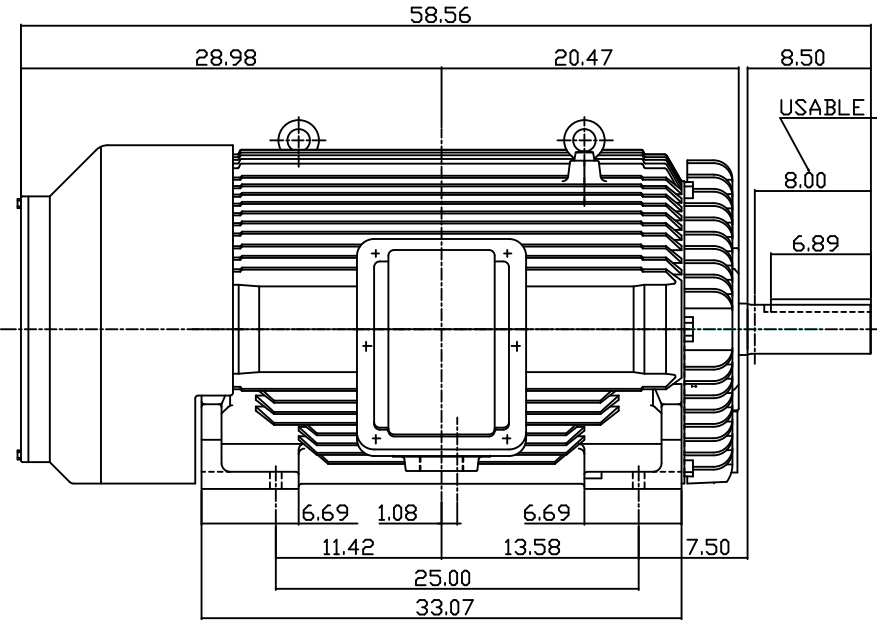


TYPE	OUTPUT		POLE	TIME RATING	VOLTAGE V	Hz	SYN.SPEED R.P.M
	HP	KW					
AEHH8N	350	261	4	CONT.	460	60	1800

TOTALLY ENCLOSED FAN-COOLED TYPE, SQUIRREL-CAGE ROTOR



- NOTE:
1. DIMENSIONS IN INCH.
 2. FRAME NO. 449T
 3. F CLASS INSULATION, S.F.1.15
 4. FOR DIRECT FLEXIBLE COUPLING.
 5. BEARING SIZE: DRIVE END: 6320
NON-DRIVE END: 6316
 6. MOTOR APPROX. WEIGHT: 3350 LBS

TW-56C

DWN.	W.CHENG	MAY 10 2004
CHKD.	H.HUANG	MAY 10 2004
APPD.	C.WANG	MAY 10 2004

DATE	MAY 14, 2013	OUTLINE DIMENSIONS
CATALOG NO.	EP3504	3-PHASE INDUCTION MOTOR
TEC Westinghouse		DWG NO. REV: 00
		3A040W799