

BALDOR® • RELIANCE 

Product Information Packet

ERL1319A277

1.5HP,1760RPM,1PH,60HZ,56H,3540LC,OPEN,F

| Part Detail | | | | | | | |
|-------------|--------|-------------|------------|-------------|--------------------|---------------|------------|
| Revision: | N | Status: | PRD/A | Change #: | | Proprietary: | No |
| Type: | AC | Elec. Spec: | 35WGL161 | CD Diagram: | CD0002A02 | Mfg Plant: | |
| Mech. Spec: | 35F554 | Layout: | 35LYF554 | Poles: | 04 | Created Date: | 09-29-2014 |
| Base: | RS | Eff. Date: | 06-08-2018 | Leads: | 2#16 A PH,3#18 B&J | | |

| Specs | | | |
|---------------------------------|-------------------------|--------------------------------|----------------------|
| Catalog Number: | ERL1319A277 | KVA Code: | K |
| Enclosure: | OPEN | Lifting Lugs: | No Lifting Lugs |
| Frame: | 56H | Locked Bearing Indicator: | No Locked Bearing |
| Frame Material: | Steel | Motor Lead Quantity/Wire Size: | 2 @ 16 AWG, A PH |
| Output @ Frequency: | 1.500 HP @ 60 HZ | Motor Lead Exit: | Terminal Panel |
| Synchronous Speed @ Frequency: | 1800 RPM @ 60 HZ | Motor Lead Termination: | Flying Leads With QC |
| Voltage @ Frequency: | 277.0 V @ 60 HZ | Motor Type: | 3540LC |
| XP Class and Group: | None | Mounting Arrangement: | F1 |
| XP Division: | Not Applicable | Power Factor: | 93 |
| Agency Approvals: | UR | Product Family: | General Purpose |
| | CSA | Pulley End Bearing Type: | Ball |
| Auxillary Box: | No Auxillary Box | Pulley Face Code: | Resilient Mount |
| Auxillary Box Lead Termination: | None | Pulley Shaft Indicator: | Standard |
| Base Indicator: | Resilient | Rodent Screen: | None |
| Bearing Grease Type: | Polyrex EM (-20F +300F) | RoHS Status: | ROHS COMPLIANT |
| Blower: | None | Shaft Extension Location: | Pulley End |
| Current @ Voltage: | 5.200 A @ 277.0 V | Shaft Ground Indicator: | No Shaft Grounding |
| Design Code: | L | Shaft Rotation: | Reversible |

| | | | |
|---------------------------------------|---------------------------|------------------------------------|----------------------------|
| Drip Cover: | No Drip Cover | Shaft Slinger Indicator: | No Slinger |
| Duty Rating: | CONT | Speed Code: | Single Speed |
| Electrically Isolated Bearing: | Not Electrically Isolated | Motor Standards: | NEMA |
| Feedback Device: | NO FEEDBACK | Starting Method: | Direct on line |
| Front Face Code: | Terminal Panel | Thermal Device - Bearing: | None |
| Front Shaft Indicator: | None | Thermal Device - Winding: | None |
| Heater Indicator: | No Heater | Vibration Sensor Indicator: | No Vibration Sensor |
| Insulation Class: | F | Winding Thermal 1: | Automatic Thermal Overload |
| Inverter Code: | Not Inverter | Winding Thermal 1 Location: | ES |
| | | Winding Thermal 2: | None |

| | | | | | | | | | | |
|--------------------------|--------------|--|-------------|----|------------|------|--|-----------|-----------------------|---|
| Nameplate NP3273L | | | | | | | | | | |
| CAT.NO. | ERL1319A277 | | | | | | | | | |
| SPEC. | 35F554L161G1 | | | | | | | | | |
| HP | 1.5 | | | | | | | | | |
| VOLTS | 277 | | | | | | | | | |
| AMP | 5.2 | | | | | | | | | |
| RPM | 1760 | | | | | | | | | |
| FRAME | 56H | | | | HZ | 60 | | | PH | 1 |
| SER.F. | 1.15 | | CODE | K | DES | L | | CL | F | |
| F.L. AVG. EFF. | 84 | | PF | 93 | | | | | | |
| RATING | 40C AMB-CONT | | | | | | | | | |
| CC | | | | | | | | | USABLE AT 208V | |
| DE | 6203 | | | | ODE | 6203 | | | | |
| ENCL | OPEN | | SN | | | | | | | |

| Parts List | | |
|-------------|--|----------|
| Part Number | Description | Quantity |
| SA288442 | SA 35F554L161G1 | 1.000 EA |
| RA274633 | RA 35F554L161G1 | 1.000 EA |
| OC3016F12SP | CYL OIL CAP 16MFD/370V | 1.000 EA |
| EC1216C06SP | ELEC CAP, 216-259 MFD, 250V, 2.06D X 4. | 1.000 EA |
| 35CB4500SP | TERMINAL BOX LID STAMPED | 1.000 EA |
| 51XW0832A07 | 8-32 X .44, TAPTITE II, HEX WSHR SLTD SE | 2.000 EA |
| 11XW0832G06 | #8-32 X 3/8, TAPTITE II, HEX WSHR SLTD | 1.000 EA |
| LD5000A01 | LEAD ASSY, ML1400DF14 7" RING TRM EA END | 1.000 EA |
| 51XW1032A06 | 10-32 X .38, TAPTITE II, HEX WSHR SLTD S | 2.000 EA |
| HW1003A10 | WASHER, #10 EX TH LK, ZN X | 2.000 EA |
| 35EP3202A01 | STD OPEN FR EP - RESILIENT MTD | 1.000 EA |
| 51XW0832A07 | 8-32 X .44, TAPTITE II, HEX WSHR SLTD SE | 3.000 EA |
| RM1000A02 | CUSHION RING, MODEL 35 SAME AS A07 | 1.000 EA |
| HA6005A01 | CLAMP, BASE | 2.000 EA |
| 12XN1032A18 | 10-32 X 1 1/4 HEX HD SLTD | 1.000 EA |
| XY1032A02 | 10-32 HEX NUT DIRECTIONAL SERRATION | 1.000 EA |
| 35CB3801 | CAPACITOR COVER, CAST | 1.000 EA |
| HA7010 | CAPACITOR RETENTION CLAMP | 1.000 EA |
| NS2501A02 | INSULATOR, CAPACITOR BOX | 1.000 EA |
| 51XB1016A08 | 10-16X 1/2HXWSSLD SERTYB | 2.000 EA |
| HW5100A03 | WAVY WASHER (W1543-017) | 1.000 EA |
| 35EP3203A01 | STD PU EP, OPEN RESIL MTG | 1.000 EA |
| RM1000A02 | CUSHION RING, MODEL 35 SAME AS A07 | 1.000 EA |
| HA6005A01 | CLAMP, BASE | 2.000 EA |

| Parts List (continued) | | |
|------------------------|--|----------|
| Part Number | Description | Quantity |
| 12XN1032A18 | 10-32 X 1 1/4 HEX HD SLTD | 1.000 EA |
| XY1032A02 | 10-32 HEX NUT DIRECTIONAL SERRATION | 1.000 EA |
| XY1032A02 | 10-32 HEX NUT DIRECTIONAL SERRATION | 4.000 EA |
| HW2501D13 | KEY, 3/16 SQ X 1.375 | 1.000 EA |
| HA7000A04 | KEY RETAINER 0.625 DIA SHAFTS | 1.000 EA |
| 85XU0407S04 | 4X1/4 U DRIVE PIN STAINLESS | 2.000 EA |
| WD4100A01 | DP-875 HEYCO PLUG OR 62MP0875 MICRO PLAS | 1.000 EA |
| WD1000A15 | 3-520132-2 AMP FLAG (4M/RL NON-CANC/NON- | 4.000 EA |
| MJ1000A02 | GREASE, POLYREX EM EXXON (USe 4824-15A) | 0.050 LB |
| MG1000G27 | MED CHARCOAL METALLIC GREY 400-0096 | 0.017 GA |
| SP5077A15 | MDL 35 TERM PANEL SWITCH, NO HARDWARE, W | 1.000 EA |
| 35BA4002J01 | RESILIENT BASE, STAMPED | 1.000 EA |
| HA3100A26 | THRUBOLT 10-32 X 11.500 | 4.000 EA |
| LB1118 | LABEL,WARNING (ROLL LABEL) | 1.000 EA |
| LC0002 | CONNECTION LABEL | 1.000 EA |
| NP3273L | ALUM SUPER-E THERMALLY PROTECTED | 1.000 EA |
| 36PA1000 | PKG GRP, PRINT PK1016A06 | 1.000 EA |
| MN416A01 | TAG-INSTAL-MAINT no wire (1200/bx) 5/18 | 1.000 EA |

AC Induction Motor Performance Data

Record # 61966 - Typical performance - not guaranteed values

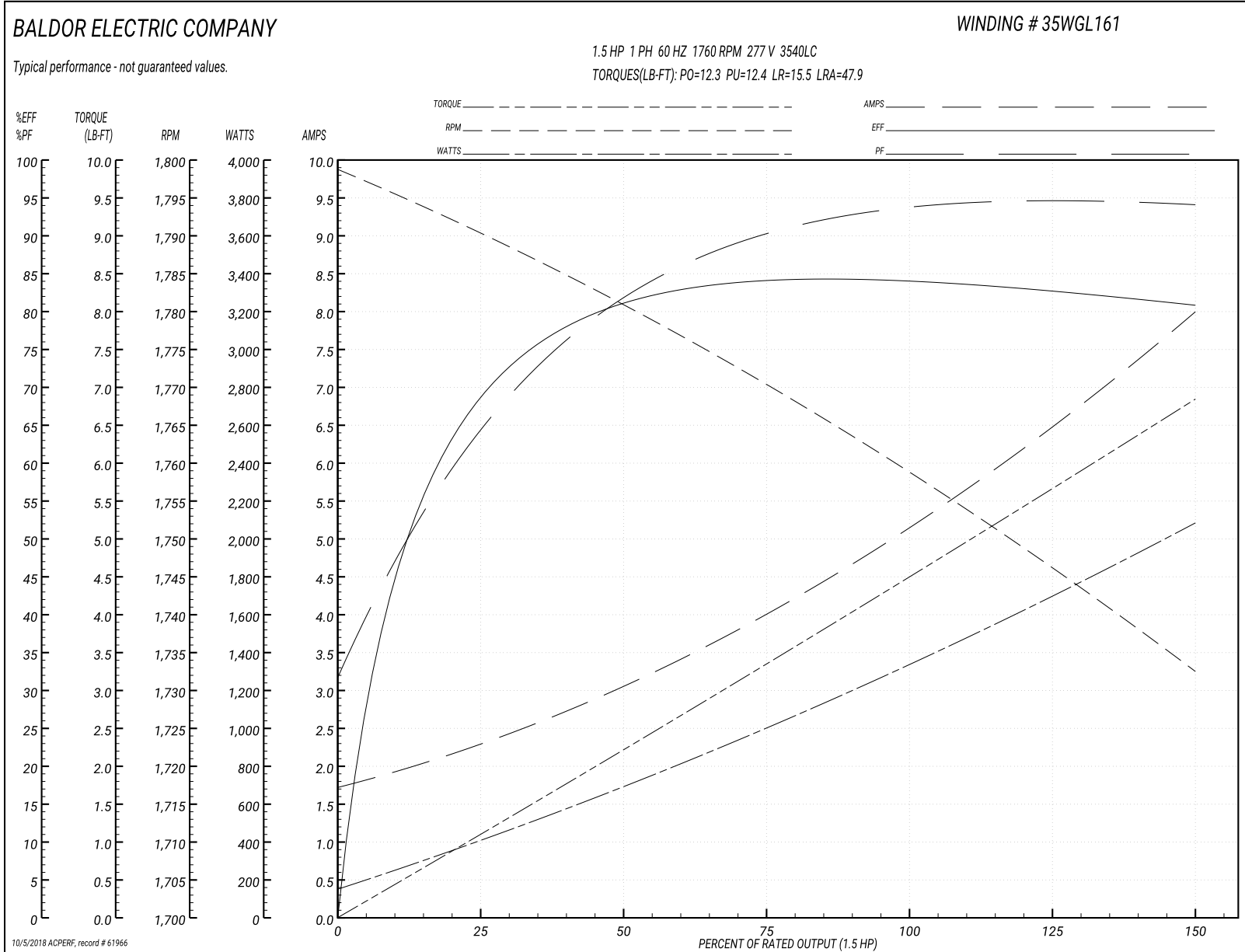
| | | |
|-------------------------------|---------------------|------------------------|
| Winding: 35WGL161-R002 | Type: 3540LC | Enclosure: OPEN |
|-------------------------------|---------------------|------------------------|

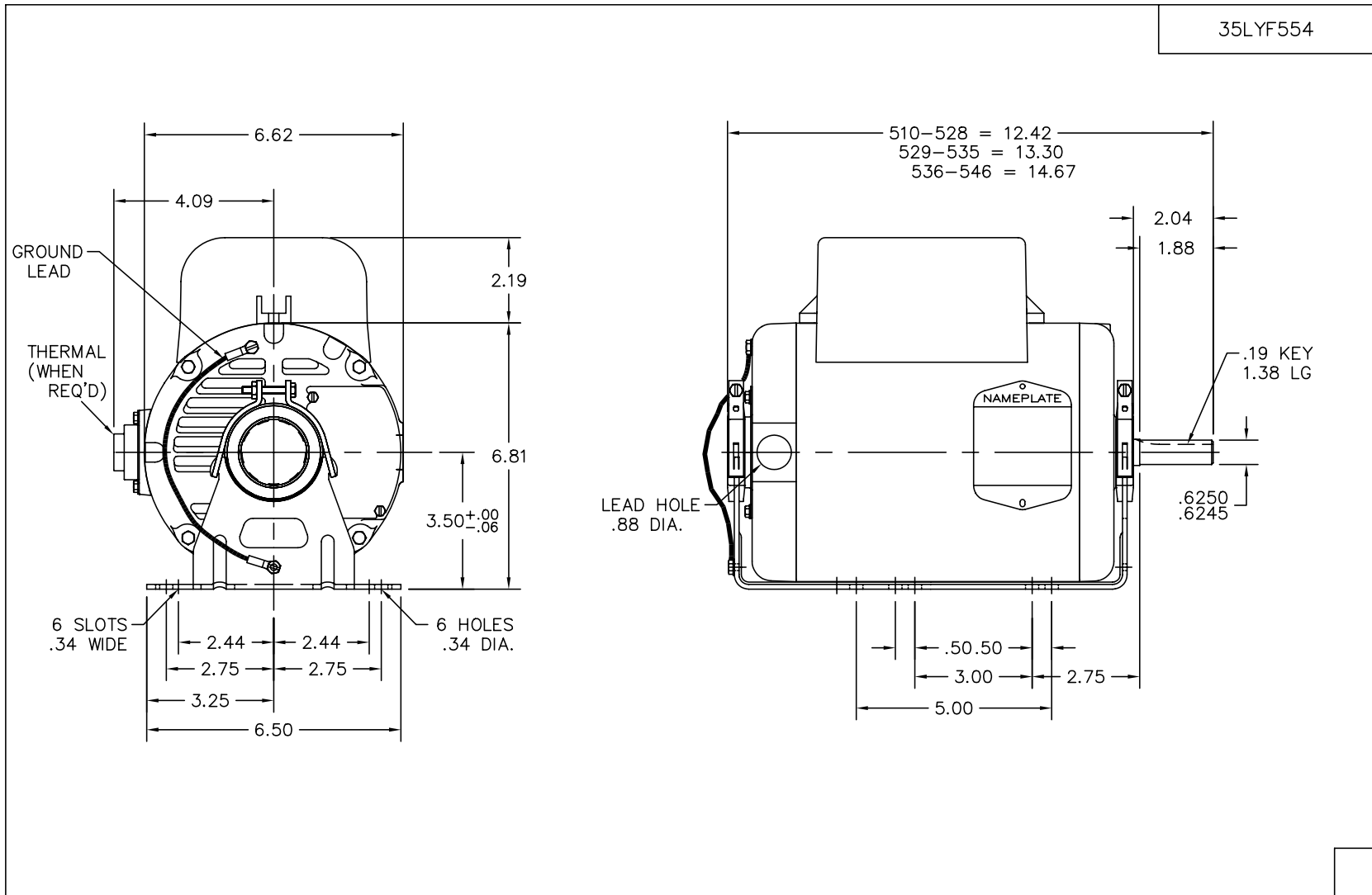
| Nameplate Data | | | | 277 V, 60 Hz: Single Voltage Motor | |
|-----------------------|--------------|--------------|----|---------------------------------------|---------------------------|
| Rated Output (HP) | 1.5 | | | Full Load Torque | 4.5 LB-FT |
| Volts | 277 | | | Start Configuration | direct on line |
| Full Load Amps | 5.2 | | | Breakdown Torque | 12.3 LB-FT |
| R.P.M. | 1760 | | | Pull-up Torque | 12.4 LB-FT |
| Hz | 60 | Phase | 1 | Locked-rotor Torque | 15.5 LB-FT |
| NEMA Design Code | L | KVA Code | K | Starting Current | 47.9 A |
| Service Factor (S.F.) | 1.15 | | | No-load Current | 1.79 A |
| NEMA Nom. Eff. | 84 | Power Factor | 93 | Line-line Res. @ 25°C | 2.36 Ω A Ph 2.9 Ω B Ph |
| Rating - Duty | 40C AMB-CONT | | | Temp. Rise @ Rated Load | 37°C |
| S.F. Amps | | | | Temp. Rise @ S.F. Load | 44°C |
| | | | | Locked-rotor Power Factor | 100 |
| | | | | Rotor inertia | 0.237 LB-FT ² |

Load Characteristics 277 V, 60 Hz, 1.5 HP

| % of Rated Load | 25 | 50 | 75 | 100 | 125 | 150 | S.F. |
|-----------------|------|------|------|------|------|------|------|
| Power Factor | 67 | 84 | 90 | 93 | 94 | 95 | 94 |
| Efficiency | 68.7 | 80.5 | 83.9 | 84.3 | 83.1 | 80.6 | 83.6 |
| Speed | 1790 | 1781 | 1770 | 1759 | 1747 | 1732 | 1752 |
| Line amperes | 2.2 | 3.03 | 4.01 | 5.2 | 6.5 | 7.96 | 5.98 |

Performance Graph at 277V, 60Hz, 1.5HP Typical performance - Not guaranteed values



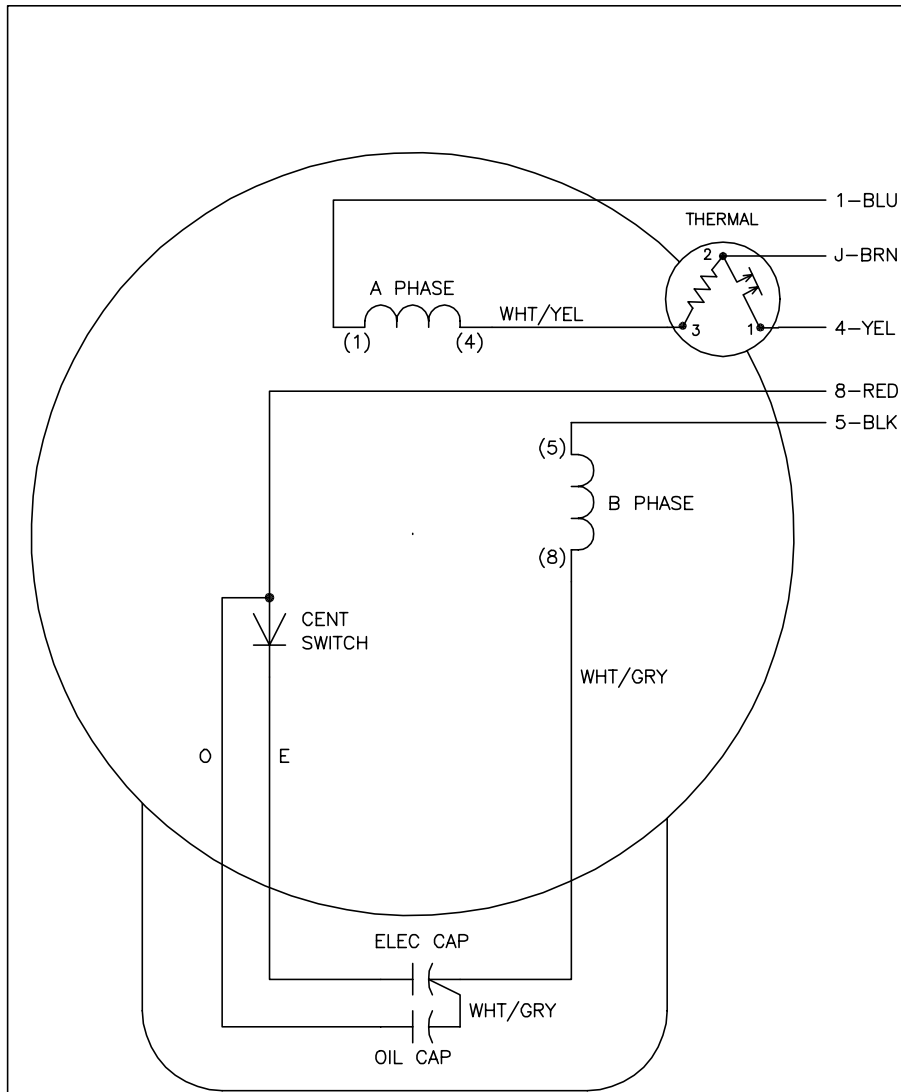


35LYF554

| | | | | | | | | | | | |
|--|--|------------|--|------------------------|--|----------------------------|--|-------|--|------|--|
| CUST. NAME | | CUST. P.O. | | CERTIFIED BY | | MODEL | | INSUL | | AMB | |
| H.P. | | MTG | | TYPE | | R.P.M. | | VOLTS | | ENCL | |
| PHASE | | FREQ | | FRAME | | | | | | | |
| REV. DESC: CHANGED FRAME DESCRIPTION FROM 35LC TO 35L-LC | | | | | | | | | | | |
| REV. LTR: F | | BY: MW | | REVISED: 08/18/99 4:12 | | TDR: 0187077 | | | | | |
| 35LYF554 | | | | FILE: AAA00040258 | | MDL: - | | | | | |
| | | | | MTL: - | | BALDOR ELECTRIC Co. | | | | | |
| STD 56/56H RESIL MTD OPEN 35L-LC W/TERM PLATE | | | | | | | | | | | |

35LYF554

CD0002A02



| | LINE A | LINE B | JOIN |
|-----|--------|--------|------|
| STD | 1,8 | 4 | J,5 |
| OPP | 1,5 | 4 | J,8 |

NOTES:

1. STANDARD ROTATION IS CCW FACING END OPPOSITE SHAFT EXTENSION.
2. MULTIPLE CAPACITORS ARE CONNECTED IN PARALLEL UNLESS OTHERWISE SPECIFIED.
3. LEAD COLORS ARE OPTIONAL. LEADS MUST ALWAYS BE NUMBERED AS SHOWN.

| | | | |
|--|----------------------|------------------------------|--|
| REV. DESC: REMOVE 2-TERMINAL THERMAL DETAIL, SEE CD0002A04 | | | |
| REV. LTR: D | VERSION: 01 | TDR: 000000360649 | |
| Z0VZ00000 CD0002A02 | FILE: \AAA\00007\520 | REVISED: 17:11:40 04/15/2005 | |
| | MTL: - | BY: ENJOEPO | |

BALDOR ELECTRIC Co.

TYPE LC, SV, REV, THERMAL, 5 LEADS

CD0002A02