

BALDOR® • RELIANCE 

Product Information Packet

EWDM3554T

1.5HP, 1755RPM, 3PH, 60HZ, 145T, 3534M, TENV, F

Part Detail							
Revision:	Q	Status:	PRD/A	Change #:		Proprietary:	No
Type:	AC	Elec. Spec:	35WGM613	CD Diagram:	CD0005	Mfg Plant:	
Mech. Spec:	35SS584	Layout:	35LYSS584	Poles:	04	Created Date:	02-13-2012
Base:	RG	Eff. Date:	07-13-2018	Leads:	9#18		

Specs			
Catalog Number:	EWDM3554T	Insulation Class:	F
Enclosure:	TENV	Inverter Code:	Inverter Ready
Frame:	145T	KVA Code:	K
Frame Material:	Steel	Lifting Lugs:	No Lifting Lugs
Output @ Frequency:	1.500 HP @ 60 HZ	Locked Bearing Indicator:	No Locked Bearing
Synchronous Speed @ Frequency:	1800 RPM @ 60 HZ	Motor Lead Quantity/Wire Size:	9 @ 18 AWG
Voltage @ Frequency:	460.0 V @ 60 HZ	Motor Lead Exit:	Ko Box
	230.0 V @ 60 HZ	Motor Lead Termination:	Flying Leads
XP Class and Group:	None	Motor Type:	3534M
XP Division:	Not Applicable	Mounting Arrangement:	F1
Agency Approvals:	UR	Power Factor:	76
	CSA EEV	Product Family:	Wash Down
	CSA	Pulley End Bearing Type:	Sealed Bearing
Auxillary Box:	No Auxillary Box	Pulley Face Code:	Standard
Auxillary Box Lead Termination:	None	Pulley Shaft Indicator:	Standard
Base Indicator:	Rigid	Rodent Screen:	None
Bearing Grease Type:	Polyrex EM (-20F +300F)	RoHS Status:	ROHS COMPLIANT
Blower:	None	Shaft Extension Location:	Pulley End

Current @ Voltage:	2.100 A @ 460.0 V	Shaft Ground Indicator:	No Shaft Grounding
	4.200 A @ 230.0 V	Shaft Rotation:	Reversible
	4.400 A @ 208.0 V	Shaft Slinger Indicator:	Shaft Slinger
Design Code:	B	Speed Code:	Single Speed
Drip Cover:	No Drip Cover	Motor Standards:	NEMA
Duty Rating:	CONT	Starting Method:	Direct on line
Electrically Isolated Bearing:	Not Electrically Isolated	Thermal Device - Bearing:	NONE (OLD)
Feedback Device:	NO FEEDBACK	Thermal Device - Winding:	None
Front Face Code:	Standard	Vibration Sensor Indicator:	No Vibration Sensor
Front Shaft Indicator:	None	Winding Thermal 1:	None
Heater Indicator:	No Heater	Winding Thermal 2:	None

Nameplate NP1669L										
CAT.NO.	EWDM3554T									
SPEC.	35SS584M613G1									
HP	1.5									
VOLTS	230/460									
AMP	4.2/2.1									
RPM	1755									
FRAME	145T				HZ	60			PH	3
SER.F.	1.15		CODE	K	DES	B		CLASS	F	
NEMA-NOM-EFF	86.5		PF	76						
RATING	40C AMB-CONT									
CC	010A				USABLE AT 208V			4.4		
DE	6205				ODE	6203				
ENCL	TENV		SN							
BLANK										

Parts List		
Part Number	Description	Quantity
SA239125	SA 35SS584M613G1	1.000 EA
RA226036	RA 35SS584M613G1	1.000 EA
NS2512A01	INSULATOR, CONDUIT BOX X	1.000 EA
35CB3010A01W	35 CB .75 NPT @ 6:00, WHITE EPOXY	1.000 EA
35GS1040	35 MOLDED GASKET W/LIP, LEAD SEAL,	1.000 EA
51XB1016A08	10-16X 1/2HXWSSLD SERTYB	2.000 EA
11XW1032G06	10-32 X .38, TAPTITE II, HEX WSHR SLTD U	1.000 EA
35EP3122D00W	MASTER ODE,203 BRG,.125NPT DRNS(WHITE)	1.000 EA
HW4072A01	BLACK DRAIN PLUG FOR .125 NPT	3.000 EA
HW5100A03	WAVY WASHER (W1543-017)	1.000 EA
35EP3123E00W	MASTER DE,205 BRG,1.623SH,.125NPT DRNS(W	1.000 EA
HW4072A01	BLACK DRAIN PLUG FOR .125 NPT	3.000 EA
HW4600B49	SEAL 0.938 X 1.624 X 0.250 SINGLE LIP DB	1.000 EA
XY1032S02	10-32 HEX NUT R.H. S STL	4.000 EA
35CB4522	35 LIPPED CB LID PRIMED	1.000 EA
35GS1030A02	35 GS FOR CB LID - WHITE NEOPRENE	1.000 EA
59XW0832S07	TAPTITE II,HEX WSHR UNSLTD SER,410 S.S.,	4.000 EA
HW4600B46	V-RING SLINGER 0.875 X 1.420 X .24 VITON	1.000 EA
HW2502D13	SS KEY, 3/16 SQ X 1.375	1.000 EA
HA7000A01	KEY RETAINER 7/8" DIA SHAFT	1.000 EA
MJ5001A27	32220KN GRAY SEALER *MIN BUY 4 QTS=1GAL	0.001 QT
85XU0407S04	4X1/4 U DRIVE PIN STAINLESS	2.000 EA
LB1164	LABEL,WARNING AND DRAIN	1.000 EA
HA5027A02	HA4054 T-DRAIN X2 BAGGED WITH LABEL	1.000 EA

Parts List (continued)		
Part Number	Description	Quantity
MJ1000A02	GREASE, POLYREX EM EXXON (USe 4824-15A)	0.050 LB
MG1025Z02	ACTIVATOR WILKOFAS 060.02HF	0.010 GA
MG1025W01	WILKOFAS 781.01, SIGNAL WHITE #9003	0.017 GA
HA3100S05	THRUBOLT - 10-32 X 10.125 302 OR 303	4.000 EA
LC0005	CONN.DIA.,TY M,9-LD,DUAL VOLT,REVERSING	1.000 EA
NP1669L	SS WD SUPER-E UL CSA-EEV PREM REV MTG	1.000 EA
36PA1000	PKG GRP, PRINT PK1016A06	1.000 EA
PK3082	STYROFOAM CRADLE	1.000 EA
MN416A01	TAG-INSTAL-MAINT no wire (1200/bx) 5/18	1.000 EA
FE-0000001	ZRTG FE ASSEMBLY	1.000 EA
PE-0000002	ZRTG PE ASSEMBLY	1.000 EA

AC Induction Motor Performance Data

Record # 52498 - Typical performance - not guaranteed values

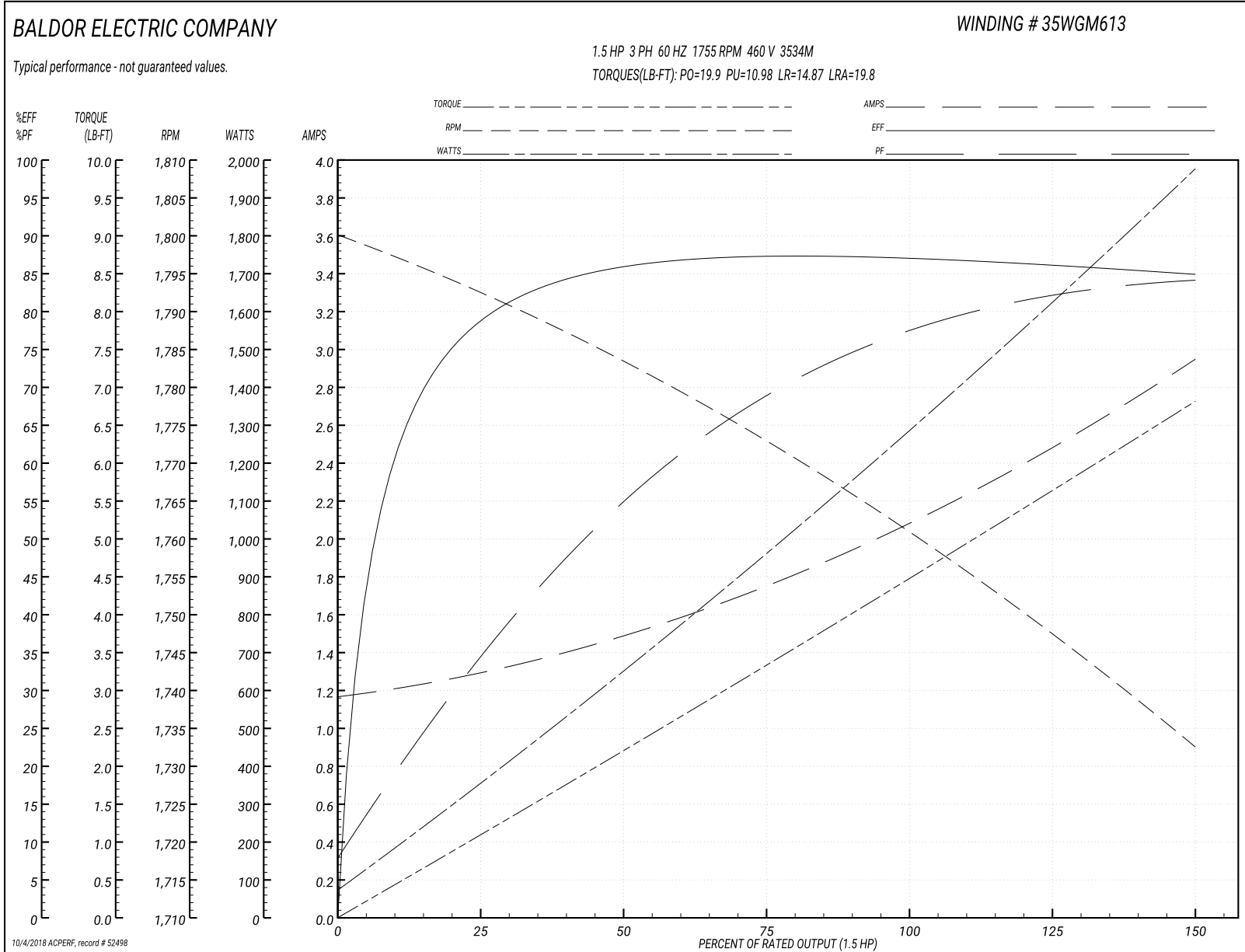
Winding: 35WGM613-R012	Type: 3534M	Enclosure: TENV
-------------------------------	--------------------	------------------------

Nameplate Data				460 V, 60 Hz: High Voltage Connection	
Rated Output (HP)	1.5			Full Load Torque	4.49 LB-FT
Volts	230/460			Start Configuration	direct on line
Full Load Amps	4.2/2.1			Breakdown Torque	19.9 LB-FT
R.P.M.	1755			Pull-up Torque	10.98 LB-FT
Hz	60	Phase	3	Locked-rotor Torque	14.87 LB-FT
NEMA Design Code	B	KVA Code	K	Starting Current	19.8 A
Service Factor (S.F.)	1.15			No-load Current	1.18 A
NEMA Nom. Eff.	86.5	Power Factor	76	Line-line Res. @ 25°C	8.98 Ω
Rating - Duty	40C AMB-CONT			Temp. Rise @ Rated Load	88°C
S.F. Amps				Temp. Rise @ S.F. Load	104°C
				Locked-rotor Power Factor	48.1
				Rotor inertia	0.201 LB-FT ²

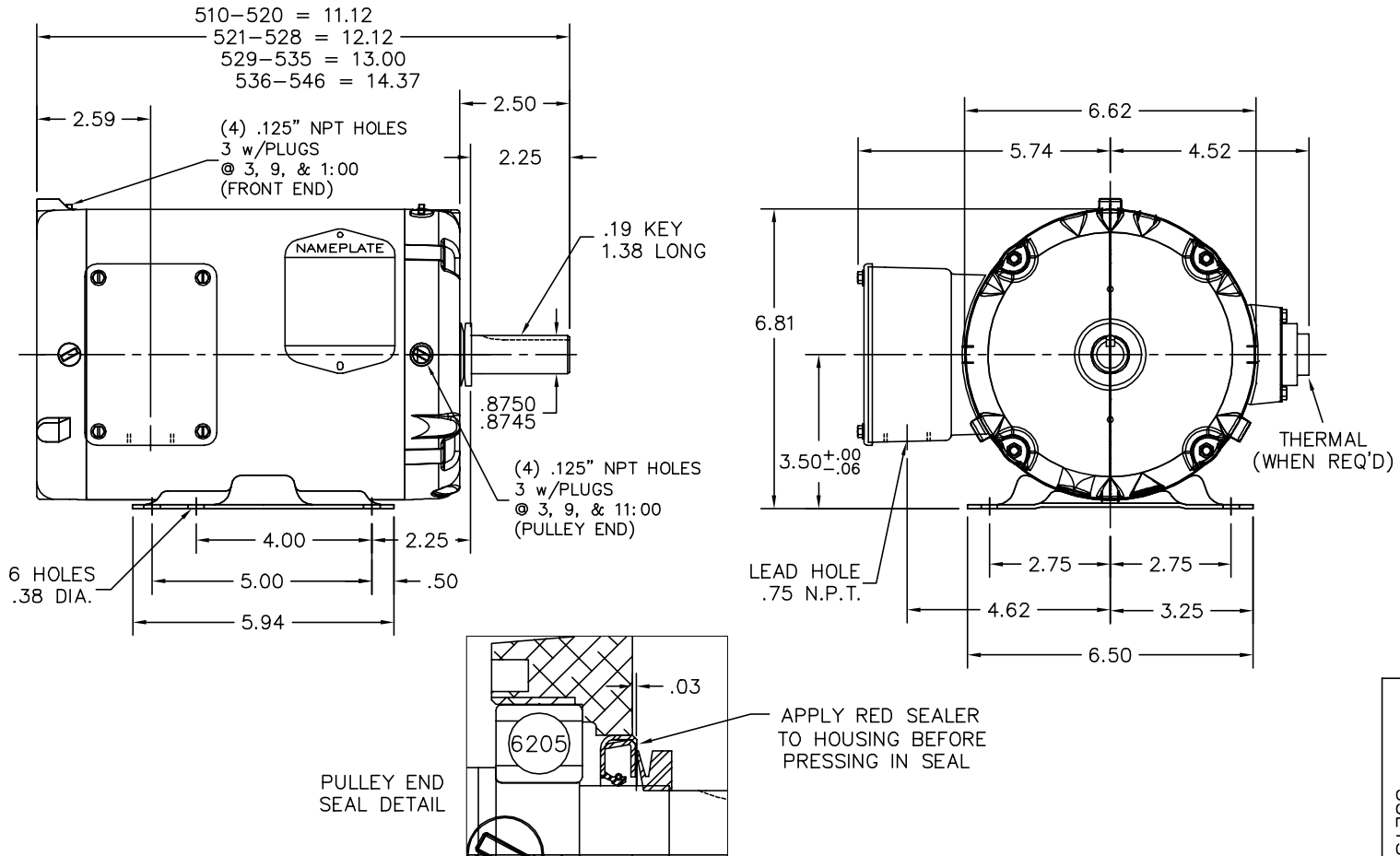
Load Characteristics 460 V, 60 Hz, 1.5 HP

% of Rated Load	25	50	75	100	125	150	S.F.
Power Factor	36	56	69	77	82	85	79
Efficiency	78.6	85.5	87.4	87.1	86.3	84.8	88.5
Speed	1794	1784	1772	1760	1747	1733	1757
Line amperes	1.28	1.48	1.76	2.1	2.5	2.94	2.3

Performance Graph at 460V, 60Hz, 1.5HP Typical performance - Not guaranteed values



35LYSS584



CUSTOMER IS RESPONSIBLE FOR DETERMINING THAT BALDOR'S PRODUCT WILL PERFORM SUITABLY IN THE INTENDED APPLICATION.

REV. DESC: UPDATE ENDPLATES AND NOTES		
REV. LTR: A	VERSION: 01	TDR: 000001077989
FILE: \AAA\00189\373	REVISED: 09:00:03 07/16/2018	BY: FPJFGO
MTL: -		

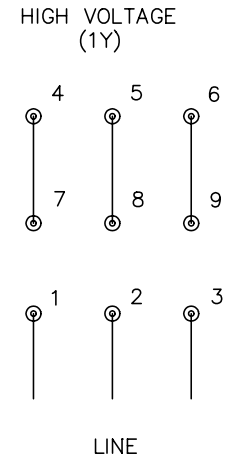
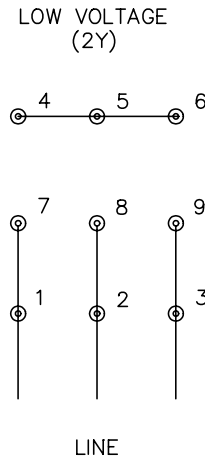
BALDOR - RELIANCE®

STD HORZ 143-5T TENV 35M WD W/.75 NPT

SH 1 of 1

35LYSS584

CD0005



NOTES:

1. INTERCHANGE ANY TWO LINE LEADS TO REVERSE ROTATION.
2. OPTIONAL THERMOSTATS ARE PROVIDED WHEN SPECIFIED.
3. ACTUAL NUMBER OF INTERNAL PARALLEL CIRCUITS MAY BE A MULTIPLE OF THOSE SHOWN ABOVE.
4. LEAD COLORS ARE OPTIONAL. LEADS MUST ALWAYS BE NUMBERED AS SHOWN.

REV. DESC: REVISE TO SHOW OPTIONAL COLORS			
REV. LTR: E	BY: JLP	REVISED: 01/19/99 10:15	TDR: 0171435
90000		FILE: AAA00005140	MDL: -
		MTL: -	

BALDOR ELECTRIC Co.

3PH, DV, 9 LEADS

CD0005