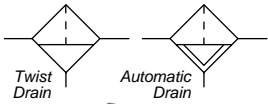
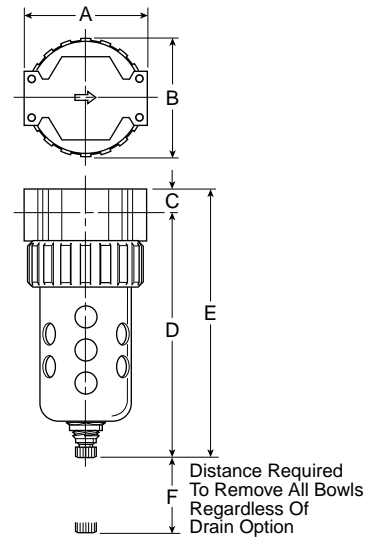


**F602 Filters – Compact**



**Features**

- Excellent water removal efficiency
- Unique deflector plate and shroud creates a swirling of the air stream ensuring maximum water and dirt separation
- Large filter element surface guarantees low pressure drop and increased element life
- Optional automatic float drain available
- Shown with recommended metal bowl guard
- High flow: 1/4" – 53 SCFM<sup>§</sup>  
 3/8" – 80 SCFM<sup>§</sup>  
 1/2" – 85 SCFM<sup>§</sup>



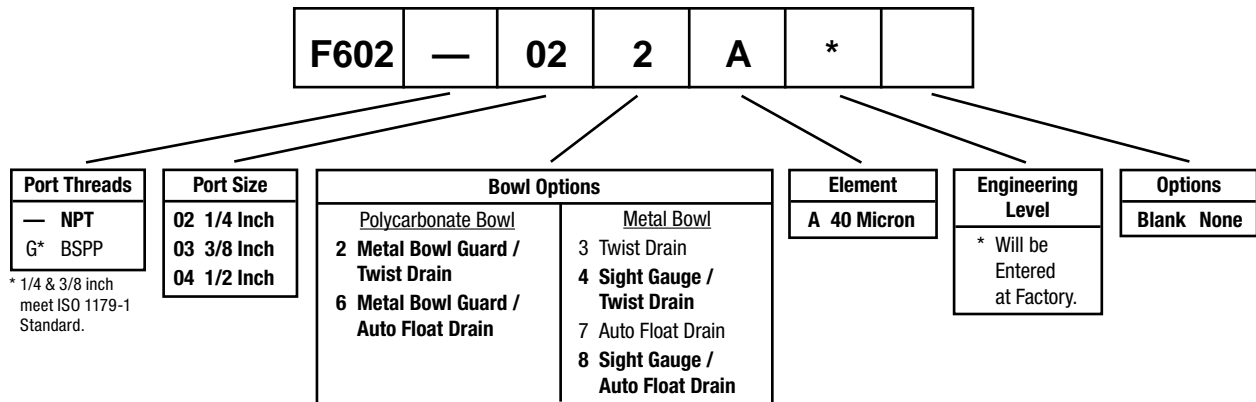
Port Size	NPT	
	Twist Drain	Automatic Float Drain
Poly Bowl ‡ / Metal Guard		
1/4"	<b>F602-022A*</b>	<b>F602-026A*</b>
3/8"	<b>F602-032A*</b>	<b>F602-036A*</b>
1/2"	<b>F602-042A*</b>	<b>F602-046A*</b>
Metal Bowl / Sight Gauge		
1/4"	<b>F602-024A*</b>	<b>F602-028A*</b>
3/8"	<b>F602-034A*</b>	<b>F602-038A*</b>
1/2"	<b>F602-044A*</b>	<b>F602-048A*</b>

F602 Filter Dimensions			
A	B	C	D
2.81 (71)	2.74 (70)	.53 (13)	5.69 (145)
D†	E	E†	F
5.74 (146)	6.22 (158)	6.27 (159)	2.25 (57)

Inches (mm)  
 † With Automatic Float Drain

Standard part numbers shown bold.  
 For other models refer to ordering information below.  
 ‡ For polycarbonate bowl see Caution on inside cover.  
 § SCFM = Standard cubic feet per minute at 90 PSIG inlet and 5 PSIG pressure drop.

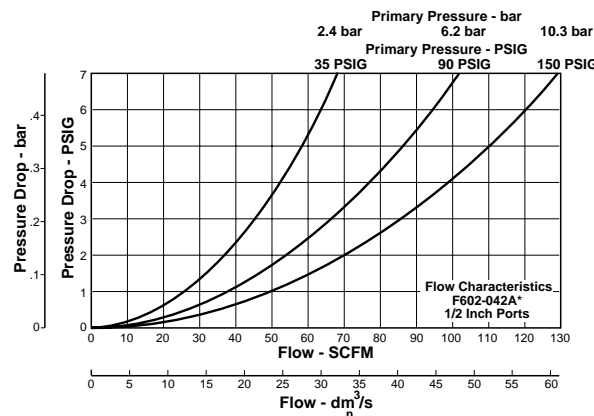
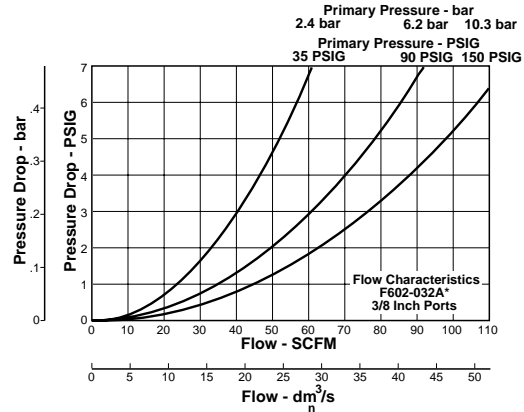
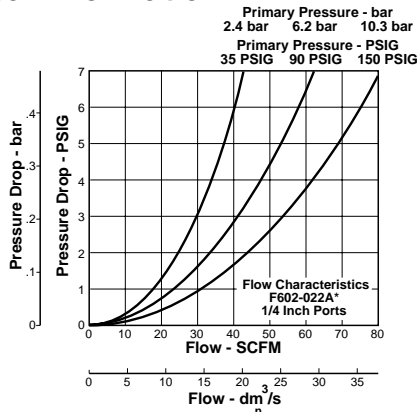
**Ordering Information**



**BOLD ITEMS ARE MOST POPULAR.**



Technical Information



F602 Filter Kits & Accessories

- Bowl Guard Kit .....PS705
  - Bowl Kits –
    - Poly Bowl –
      - Automatic Float Drain .....PS722
      - Twist Drain.....PS732
    - Polycarbonate (B) (Old F602).....BK602Y
    - Metal Bowl –
      - Automatic Float Drain.....PS726
      - Twist Drain.....PS734
      - Sight Gauge / Automatic Float Drain .....PS723
      - Sight Gauge / Twist Drain.....PS735
    - Metal with Sight Gauge (W) (Old F602) .....BK605WY
  - DPI Replacement Kit .....PS781
  - Drain Kits –
    - Automatic Float Drain.....PS506
    - Twist Drain.....PS512
    - Internal Auto (All) (Old F602).....SA602MD
    - Manual Twist (All) (Old F602) .....SA600Y7-1
  - Filter Element Kits –
    - 40 Micron .....PS701
    - 5 Micron (B,W) (Old F602).....EK602VY
    - 40 Micron (B,W) (Old F602).....EK602Y
  - Mounting Bracket Kit .....PS743
  - Mounting Bracket Kit (Old F602).....(All) SAF602-0571
  - Sight Gauge Kit.....PS914
- Specifications**
- Bowl Capacity ..... 4.4 Ounces
  - Sump Capacity ..... 1.75 Ounces
  - Port Threads ..... 1/4, 3/8, 1/2 Inch

Pressure & Temperature Ratings –

- Without Differential Pressure Indicator:
    - Polycarbonate Bowl – 0 to 150 PSIG (0 to 10.3 bar)  
32°F to 125°F (0°C to 52°C)
    - Metal Bowl – 0 to 250 PSIG (0 to 17.2 bar)  
32°F to 175°F (0°C to 80°C)
  - With Differential Pressure Indicator: 0 to 150 PSIG (0 to 10.3 bar)  
32°F to 125°F (0°C to 52°C)
  - Automatic Float Drain – 15 to 250 PSIG (1.0 to 17.2 bar)
- Weight..... 1.4 lb. (0.6 kg)

Materials of Construction

- Body..... Zinc
- Bowls..... Transparent Polycarbonate or  
Metal (Zinc) With or Without Sight Gauge
- Bowl Guards ..... Steel
- Collar ..... Plastic
- Deflector, Shroud & Baffle ..... Plastic
- Drains –
  - Twist Drain – Body & Nut.....Plastic
  - Automatic Float Drain – Housing, Float.....Plastic
  - Seals..... Nitrile
  - Springs, Push Rod ..... Stainless Steel
- Filter Elements –
  - 40 Micron (Standard) .....Plastic
  - Adsorber (Optional) ..... Activated Charcoal
- Seals ..... Nitrile
- Sight Gauge ..... Nylon

