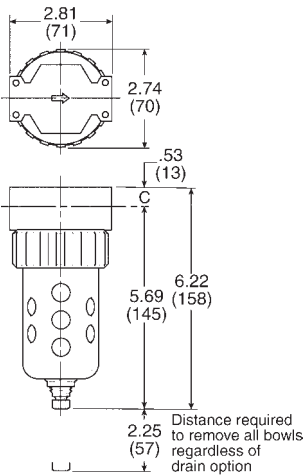


Watts Filters

**Features:**

- 40 micron polypropylene element
- 4.4 oz. bowl
- zinc body
- maximum operating:
 - temperature range: **40°F** (4.4°C) to **125°F** (52°C)
 - maximum pressure: **150 PSIG** (10.2 bar)

Compact Polycarbonate Bowl with Plastic Bowl Guard

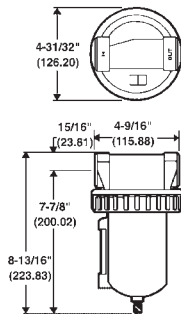
Size	Flow (SCFM)	Automatic Drain		Manual Drain	
		Part #	Price/E	Part #	Price/E
¼"	53	F602-02BJR	\$177.75	F602-02BJ	\$117.50
⅜"	80	F602-03BJR	177.75	F602-03BJ	117.50
½"	85	F602-04BJR	177.75	F602-04BJ	117.50



F

Features:

- 40 micron polypropylene element
- 16 oz. bowl
- zinc body
- automatic drain operating conditions:
 - temperature range: **40°F** (4.4°C) to **120°F** (48.9°C)
 - maximum operating: **175 PSIG** (12 bar)
- manual drain operating conditions:
 - temperature range: **40°F** (4.4°C) to **150°F** (65.6°C)
 - maximum operating: **250 PSIG** (17 bar)

**Standard Zinc Bowl with Sight Glass**

Size	Flow (SCFM)	Automatic Drain		Manual Drain	
		Part #	Price/E	Part #	Price/E
¾"	250	F602-06WJR	\$374.65	F602-06WJ	\$314.40
1"	340	F602-08WJR	374.65	F602-08WJ	314.40



See page 266 for filter accessories.



FRL's are designed for air service only, unless otherwise indicated.

SCFM ratings given at 150 PSIG inlet pressure.