

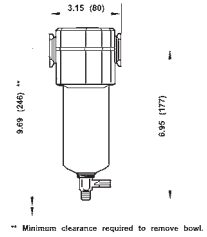
Series 1 Airline Filters



with transparent bowl

Features:

- particle removal per ISO 8573-1, Class 5 and Class 3
- 40 micron element
- 7 oz. reservoir
- quick-release bayonet bowl
- prismatic lens liquid level indicator
- inlet pressure:
 - transparent bowl: **150 PSI** at ambient temperature (70°F)
 - metal bowl: **250 PSI** at ambient temperature (70°F)

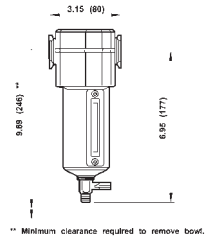


Standard with Transparent Bowl and Guard

Port Size	Flow (SCFM)	Automatic Drain		Manual Drain	
		Part #	Price/E	Part #	Price/E
3/8"	112	F74G-3A	\$237.95	F74G-3M	\$164.90
1/2"	140	F74G-4A	233.45	F74G-4M	162.60
3/4"	140	F74G-6A	235.70	F74G-6M	162.60

Standard with Metal Bowl and Sight Glass

Port Size	Flow (SCFM)	Automatic Drain		Manual Drain	
		Part #	Price/E	Part #	Price/E
3/8"	112	F74G-3A-MB	\$242.60	F74G-3M-MB	\$169.85
1/2"	140	F74G-4A-MB	239.15	F74G-4M-MB	166.60
3/4"	140	F74G-6A-MB	239.15	F74G-6M-MB	167.45



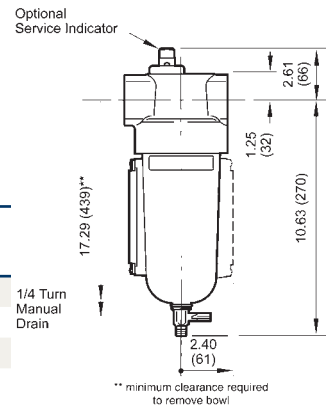
with metal bowl

Features:

- general purpose with low pressure drop and excellent water removal characteristics
- 40 micron element
- 1 qt. reservoir
- inlet pressure: **250 PSI** at ambient temperature (70°F)

Jumbo with Metal Bowl and Sight Glass

Port Size	Flow (SCFM)	Automatic Drain		Manual Drain	
		Part #	Price/E	Part #	Price/E
3/4"	325	F17-600A	\$433.80	F17-600M	\$356.65
1"	425	F17-800A	427.60	F17-800M	353.25
1 1/4"	425	F17-A00A	495.65	F17-A00M	415.65
1 1/2"	425	F17-B00A	490.95	F17-B00M	421.70

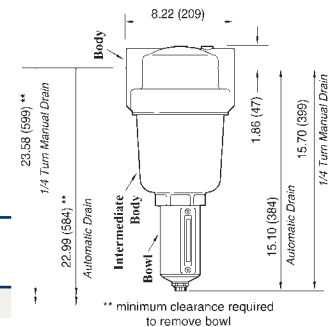


Features:

- 40 micron element
- quick-release bayonet bowl
- prismatic lens liquid level indicator
- 7 oz. reservoir
- inlet pressure: **250 PSI** at ambient temperature (70°F)

Jumbo with Metal Bowl and Sight Glass

Port Size	Flow (SCFM)	Automatic Drain		Manual Drain	
		Part #	Price/E	Part #	Price/E
2"	1400	F18-C00A	\$1500.90	F18-C00M	\$1425.20



See pages 254-256 for filter accessories.



FRL's are designed for air service only, unless otherwise indicated.

SCFM ratings at 90 PSIG inlet pressure.