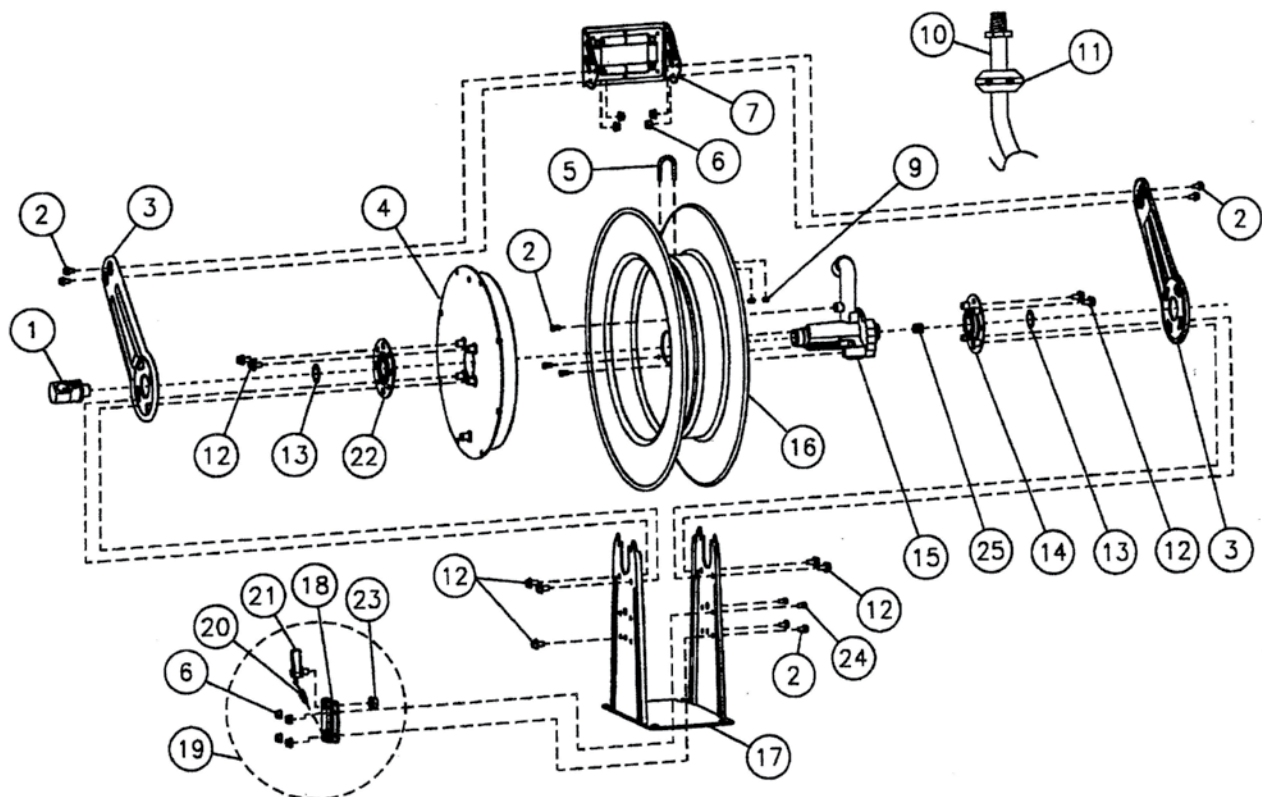


Tech Bulletin

80000 Constant Tension Requirements

The following parts should be removed from the reel to make it constant tension.

Item #	Part #	Qty.	Description
2	S44-10	2	Screw, Machine 5/16 - 18 x 1/2"
6	300107	4	Nut, Lock Whiz
19	600643	1	Latch Pawl and Mounting Bracket Assembly
24	S2-51	2	Screw, Hex Cap 5/16 - 18 x 1/2"



Form # TB0007 Rev: 5/2012

80000 Constant Tension Requirements

ITEM	DESCRIPTION	QTY.	81100 OLP	81000 OLP	82075 OLP	82100 OLP	82000 OLP	83050 OLP	83000 OLP	82075 OMP
1	Swivel assembly	1	600888	600888	600888	600888	600888	602026	602026	602033
2	5/16-18 x 1/2" screw	9	*	*	*	*	*	*	*	*
3	Guide arm	2	261299	261299	261299	261299	261299	261299	261299	261299
4	Spring & case assembly	1	600645-2	600645-2	S600645-3	600645-2	600645-2	600645-1	600645-1	600653-2
5	U-bolt	1	3-117440	3-117440	3-117440	3-117440	3-117440	5-117440	5-117440	3-117440
6	5/16-18 lock nut	8	*	*	*	*	*	*	*	*
7	Roller bracket assembly	1	600642	600642	600642	600642	600642	600642	600642	600642
9	1/4-20 lock nut	2	261650-1	261650-1	261650-1	261650-1	261650-1	261650-1	261650-1	261650-1
10	Hose assembly	1	601015-100	None	601035-75	601035-100	None	601034-50	None	601036-75
11	Hose bumper assembly	1	A1-HR1004-3	None	A2-HR1004-3	A2-HR1004-3	None	A3-HR1004-3	None	A2-HR1004-3
12	3/8-16 x 5/8" screw	9	*	*	*	*	*	*	*	*
13	1 3/8" snap ring	2	*	*	*	*	*	*	*	*
14	Flange w/bearing & nutsert assembly	1	600651	600651	600651	600651	600651	600651	600651	600651
15	Ratchet, flow casting	1	261306-2	261306-2	261306-2	261306-2	261306-2	261306-2	261306-2	261306-2
16	Sheave assembly	1	600649	600649	600649	600649	600649	600649	600649	600649
17	Base & upright assembly	1	600641	600641	600641	600641	600641	600641	600641	600641
18	Latch mounting bracket	1	261303	261303	261303	261303	261303	261303	261303	261303
19	Latch pawl & mounting bracket assembly	1	600643	600643	600643	600643	600643	600643	600643	600643
20	Latch spring	1	260067	260067	260067	260067	260067	260067	260067	260067
21	Latch pawl assembly	1	600018	600018	600018	600018	600018	600018	600018	600018
22	Bearing & flange assembly	1	600644	600644	600644	600644	600644	600644	600644	600644
23	1/2-20 x 5/8" hex nut	1	*	*	*	*	*	*	*	*
24	5/16-18 x 1/2" hex screw	2	*	*	*	*	*	*	*	*
25	Pipe plug	1	*	*	*	*	*	*	*	*

ITEM	DESCRIPTION	QTY.	82000 OMP	83050 OMP	83000 OMP	81075 OHP	81100 OHP	81000 OHP	F83050 OLP	F83000 OLP
1	Swivel assembly	1	602033	602026	602026	602110	602110	602110	602026-2	602026-2
2	5/16-18 x 1/2" screw	9	*	*	*	*	*	*	*	*
3	Guide arm	2	261299	261299	261299	261299	261299	261299	261299	261299
4	Spring & case assembly	1	600653-2	600653-1	600653-1	600645-2	600645-2	600645-2	600645-1	600645-1
5	U-bolt	1	3-117440	5-117440	5-117440	3-117440	3-117440	3-117440	5-117440	5-117440
6	5/16-18 lock nut	8	*	*	*	*	*	*	*	*
7	Roller bracket assembly	1	600642	600642	600642	600642	600642	600642	600642	600642
9	1/4-20 lock nut	2	261650-1	261650-1	261650-1	261650-1	261650-1	261650-1	261650-1	261650-1
10	Hose assembly	1	None	601037-50	None	23-260044	22-260044	None	600160-2	None
11	Hose bumper assembly	1	None	A3-HR1004-3	None	A1-HR1004-3	2-HR1004-3	None	A3-HR1004-3	None
12	3/8-16 x 5/8" screw	9	*	*	*	*	*	*	*	*
13	1 3/8" snap ring	2	*	*	*	*	*	*	*	*
14	Flange w/bearing & nutsert assembly	1	600651	600651	600651	600651	600651	600651	600651	600651
15	Ratchet, flow casting	1	261306-2	261306-2	261306-2	261306-2	261306-2	261306-2	261306-2	261306-2
16	Sheave assembly	1	600649	600649	600649	600649	600649	600649	600649	600649
17	Base & upright assembly	1	600641	600641	600641	600641	600641	600641	600641	600641
18	Latch mounting bracket	1	261303	261303	261303	261303	261303	261303	261303	261303
19	Latch pawl & mounting bracket assembly	1	600643	600643	600643	600643	600643	600643	600643	600643
20	Latch spring	1	260067	260067	260067	260067	260067	260067	260067	260067
21	Latch pawl assembly	1	600018	600018	600018	600018	600018	600018	600018	600018
22	Bearing & flange assembly	1	600644	600644	600644	600644	600644	600644	600644	600644
23	1/2-20 x 5/8" hex nut	1	*	*	*	*	*	*	*	*
24	5/16-18 x 1/2" hex screw	2	*	*	*	*	*	*	*	*
25	Pipe plug	1	*	*	*	*	*	*	*	*

***Included in hardware kit part number 600654**