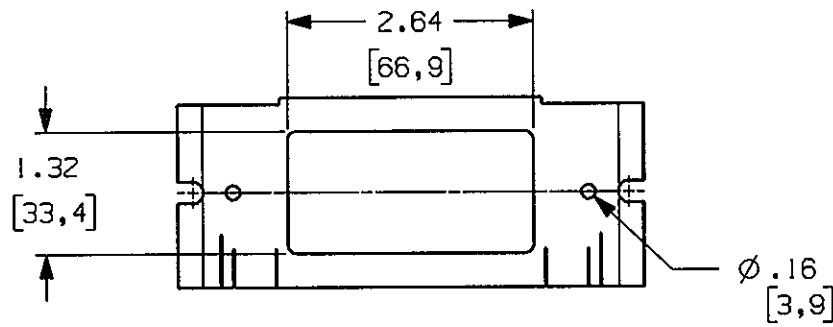
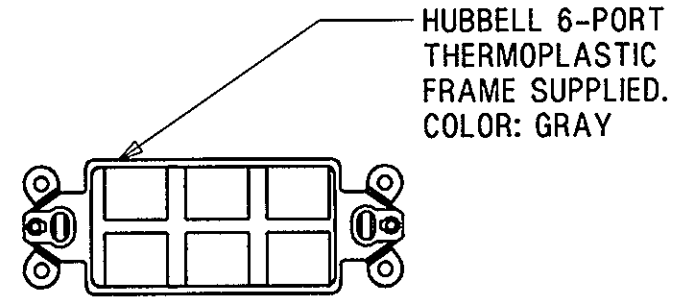
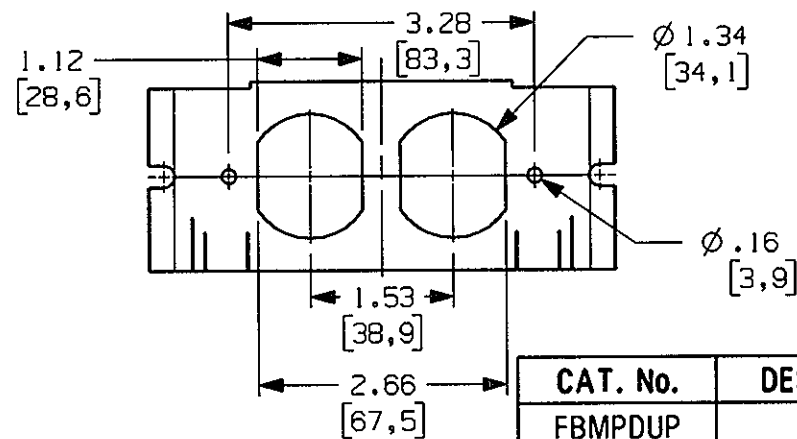


ABOVE DIMENSIONS ARE TYPICAL TO ALL FACEPLATES ON THIS DRAWING

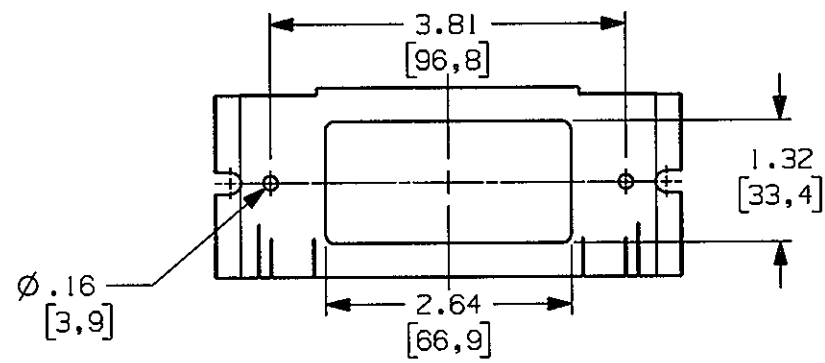
CAT. No.	DESCRIPTION
FBMPBNK	BLANK PLATE



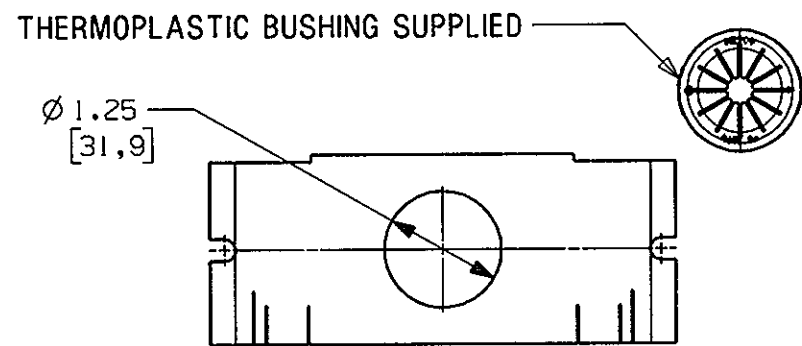
CAT. No.	DESCRIPTION
FBMP6KS	6-PORT KEYSTONE BEZEL



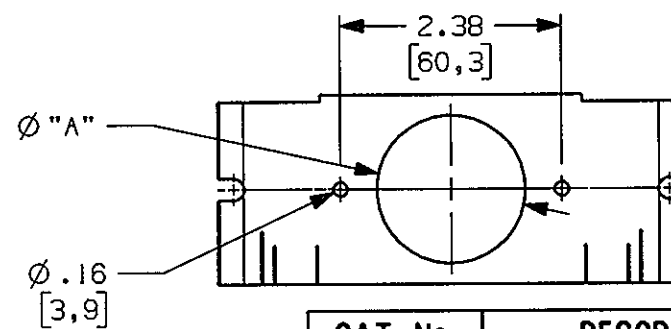
CAT. No.	DESCRIPTION
FBMPDUP	DUPLEX



CAT. No.	DESCRIPTION
FBMPREC	STYLELINE DECORATOR



CAT. No.	DESCRIPTION
FBMPFT	FEED THRU (INCLUDES BUSHING)



CAT. No.	DESCRIPTION	DIM "A"
FBMP156	TWISTLOCK®	Ø 1.60 [40,5]
FBMP139	SIMPLEX OR TWISTLOCK®	Ø 1.41 [35,7]

LIST OF PARTS

DESCRIPTION	MATERIAL	FINISH
FACE PLATES	CRS	PRE-GALVANIZED

NOTES:
 (1) ALL DIMENSIONS ARE IN INCHES [mm].
 (2) ALL FACE PLATES ARE cULus LISTED.
 (3) CONSULT FACTORY REGARDING LAYOUT OF TWISTLOCK FACE PLATES.

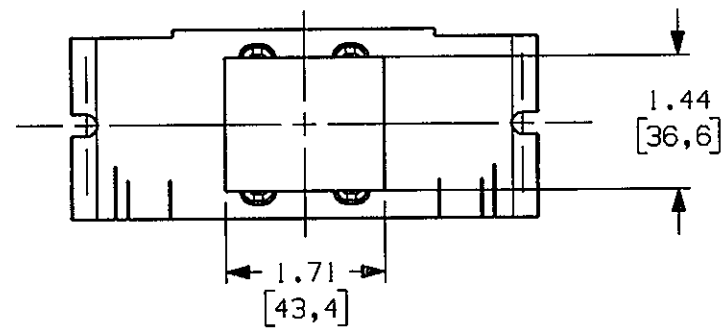
SYM	REVISIONS	APP	DATE
2	REVISED PLATES PER DCN #19955 MAM	TLS	8/12/13
1	RELEASE FOR PRODUCTION PER DCN #18515 MJM	TLS	1/3/2012

THE DESIGN AND DIMENSIONS OF THE PRODUCT SHOWN ON THIS DRAWING ARE SUBJECT TO CHANGE WITHOUT NOTICE

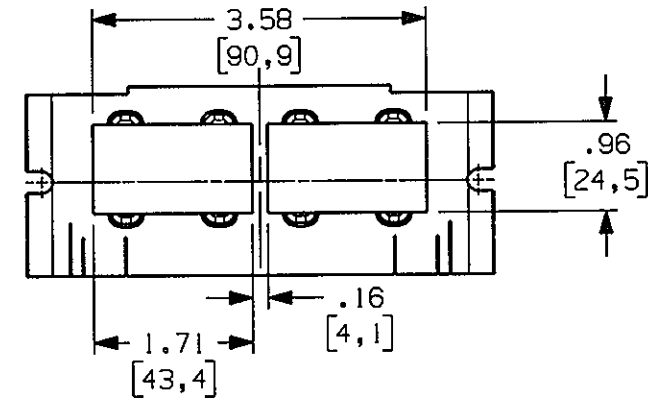
TITLE
 FLOOR BOX FACE PLATES (2, 4, 6 GANG COMPATIBLE)

TOLERANCES UNLESS OTHERWISE SPECIFIED .XX : ±.01 .XXX : ±.005 ANGLES : ±2°	WIRING DEVICE-KELLEMS HUBBELL INCORPORATED SHELTON, CT	
	DR. BY MJM	APP. BY TLS
	TR. BY	SCALE 1/2
	CHK. BY	DATE 1/5/11

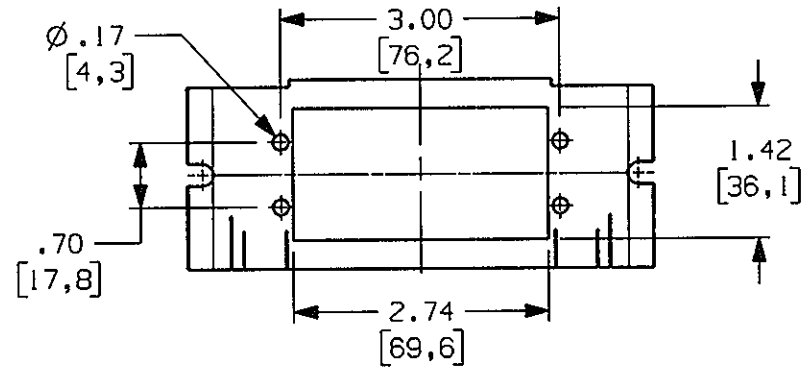
DIMENSION SHEET FOR CAT. NO. M-11842
 REPAIRABLE NON-REPAIRABLE



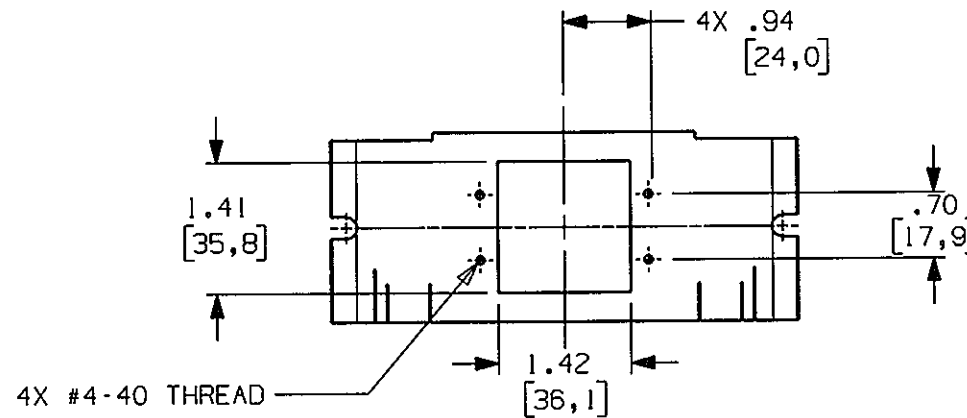
CAT. No.	DESCRIPTION
FBMP15IM	1.5-UNIT iSTATION®



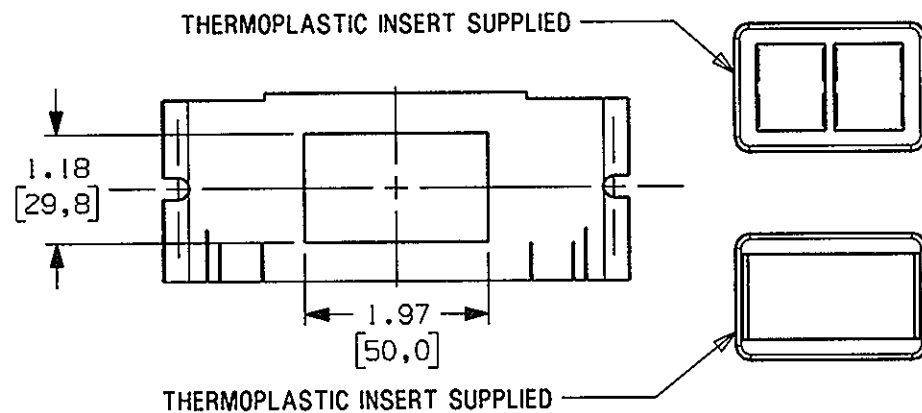
CAT. No.	DESCRIPTION
FBMP2IM	2-UNIT iSTATION®



CAT. No.	DESCRIPTION
FBMPAAP	2-UNIT EXTRON AAP



CAT. No.	DESCRIPTION
FBMPMAAP	EXTRON MAAP OR FR IPS



CAT. No.	DESCRIPTION
FBMPTRAC	FOR TWO ORTRONICS TrackJack® OR ONE Series II® DATACOM INSERT

LIST OF PARTS

DESCRIPTION	MATERIAL	FINISH
FACE PLATES	CRS	PRE-GALVANIZED

NOTES:
 (1) ALL DIMENSIONS ARE IN INCHES [mm].
 (2) ALL FACE PLATES ARE cULus LISTED.
 (3) CONSULT FACTORY REGARDING LAYOUT OF TWISTLOCK FACE PLATES.

SYM	REVISIONS	APP	DATE
2	REVISED PLATES PER DCN #19955 MAM	TLS	8/12/13
1	RELEASE FOR PRODUCTION PER DCN #18515 MJM	TLS	1/3/2012

SYM	REVISIONS	APP	DATE
2	REVISED PLATES PER DCN #19955 MAM	TLS	8/12/13
1	RELEASE FOR PRODUCTION PER DCN #18515 MJM	TLS	1/3/2012

THE DESIGN AND DIMENSIONS OF THE PRODUCT SHOWN ON THIS DRAWING ARE SUBJECT TO CHANGE WITHOUT NOTICE

TITLE
 FLOOR BOX
 FACE PLATES
 (2, 4, 6 GANG COMPATIBLE)

TOLERANCES UNLESS OTHERWISE SPECIFIED	WIRING DEVICE-KELLEMS HUBBELL INCORPORATED SHELTON, CT	
.XX : ±.01	DR. BY MJM	APP. BY TLS
.XXX : ±.005	TR. BY	SCALE 1/2
ANGLES : ±2°	CHK. BY	DATE 1/5/11

DIMENSION SHEET FOR CAT. NO. SEE TABLE
 REPAIRABLE NON-REPAIRABLE
 M-11842
 2