

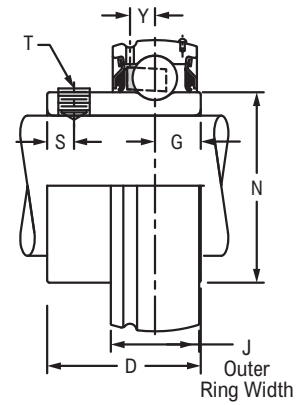
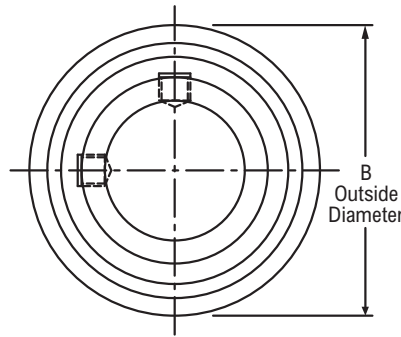
MB35 (Scheduled to be discontinued in 2013)



Photo Shows an Unmounted Ball Bearing Unit

Product Features

- Broad range of sealing options
- Spring locking setscrew mount
- Sealed & relubricatable
- Spherical O.D.
- See Features & Benefits for additional info.



Bearing Dimensions

Size Code	Shaft Diameter	Part Number	B O.D.	J Outer Ring Width	D	G	N	S	T	Y	Approx. Weight
206	1	MB351-PA◆●□△	2.4409	0.7087	1 11/32	0.3920	1.587	0.31	1/4-28	0.202	0.72
207	1 3/16	MB351-316-PA◆●□△	2.8346	0.7480	1 9/16	0.4540	1.847	0.34	5/16-24	0.227	1.03
208	1 7/16	MB351-716-PA◆●□△	3.1496	0.8661	1 21/32	0.4850	2.083	0.34	5/16-24	0.263	1.32
209	1 1/2	MB351-12-PA◆●□△	3.3465	0.8661	1 49/64	0.5320	2.281	0.36	5/16-24	0.256	1.62
210	1 11/16	MB351-1116-PA◆●□△	3.5433	0.8661	1 13/16	0.5320	2.475	0.38	3/8-24	0.256	1.82
	1 3/4	MB351-34-PA◆●□△									1.74
211	1 15/16	MB351-1516-PA◆●□△	3.9370	0.9843	1 13/16	0.5370	2.749	0.38	3/8-24	0.298	2.36
212	2 3/16	MB352-316-PA◆●□△	4.3307	1.0630	1 57/64	0.5780	3.012	0.38	3/8-24	0.330	2.97
214	2 7/16	MB352-716-PA◆●□△◆	4.9213	1.1545	2 15/64	0.8040	3.433	0.37	3/8-24	0.266	4.39
	2 1/2	MB352-12-PA◆●□△◆									4.25
215	2 11/16	MB352-1116-PA◆●□△◆	5.1181	1.1835	2 17/64	0.8040	3.632	0.37	3/8-24	0.266	4.49
216	2 15/16	MB352-1516-PA◆●□△◆	5.5118	1.2575	2 23/64	0.8630	3.920	0.37	3/8-24	0.282	5.53
	3	MB353-PA◆●□△◆									5.40
218	3 3/16	MB353-316-PA◆●□△◆	6.2992	1.3945	2 33/64	0.9620	4.396	0.37	3/8-24	0.313	8.23
	3 7/16	MB353-716-PA◆●□△◆									7.34
	3 1/2	MB353-12-PA◆●□△◆									7.15

Additional Notes

- Please call 1-866-REXNORD for availability
- Bearing O.D. tolerance for size code 206 thru 208, +.0000 in/-0.0005 in (+0.000 mm/-0.013 mm); for size code 209 thru 215, +.0000 in/-0.0006 in (+0.000 mm/-0.015 mm); for all other size codes, +.0000 in/-0.0008 in (+0.000 mm/-0.020 mm)
- Lip seals standard
- ◆ Available with E1 viton seals for size codes 212 and smaller
 - ◆ Available with TFF viton seals for size codes above 212
- Available with free running style seals, add suffix ● FF, □ HFF or △ MHFF for size codes 212 and smaller

Add suffix ● FF, □ SFF or △ MKFF for size codes above 212

For the Selection Guide, Load Ratings and Speed Limits, see the MB Ball Bearing Engineering section

Note: Dimensions subject to change. Certified dimensions of ordered material furnished on request.