

BALDOR® • RELIANCE 

Product Information Packet

FDEM4314T

60HP,1780RPM,3PH,60HZ,364T,1462M,TEFC,F1

Part Detail							
Revision:	G	Status:	PRD/A	Change #:		Proprietary:	No
Type:	AC	Elec. Spec:	A36WG1822	CD Diagram:	416820-002	Mfg Plant:	
Mech. Spec:		Layout:	617428-066	Poles:	04	Created Date:	02-27-2014
Base:		Eff. Date:	04-10-2018	Leads:	3#4,6#6		

Specs			
Catalog Number:	FDEM4314T	Feedback Device:	NO FEEDBACK
Enclosure:	TEFC	Heater Indicator:	No Heater
Frame:	364T	Insulation Class:	F
Frame Material:	Iron	Inverter Code:	Inverter Ready
Output @ Frequency:	60.000 HP @ 60 HZ	KVA Code:	F
Synchronous Speed @ Frequency:	1800 RPM @ 60 HZ	Lifting Lugs:	No Lifting Lugs
Voltage @ Frequency:	230.0 V @ 60 HZ	Motor Lead Quantity/Wire Size:	3 @ 4 AWG
	460.0 V @ 60 HZ	Motor Type:	A3662M
XP Class and Group:	None	Mounting Arrangement:	F1
XP Division:	Not Applicable	Power Factor:	87
Agency Approvals:	CCSA US	Pulley End Bearing Type:	Ball
	CSA EEV	Pulley Face Code:	Standard
Auxillary Box:	No Auxillary Box	Shaft Ground Indicator:	No Shaft Grounding
Base Indicator:	Rigid	Shaft Rotation:	Reversible
Bearing Grease Type:	Polyrex EM (-20F +300F)	Shaft Slinger Indicator:	Shaft Slinger
Current @ Voltage:	135.000 A @ 230.0 V	Speed Code:	Single Speed
	67.800 A @ 460.0 V	Motor Standards:	NEMA
Design Code:	B	Starting Method:	Direct on line

Drip Cover:	No Drip Cover	Thermal Device - Bearing:	None
Duty Rating:	CONT	Thermal Device - Winding:	None

Nameplate NP3159L										
SPEC NO.	A36-5275-1822			CAT.NO.	FDEM4314T			FRAME	364T	
HP	60	VOLTS	230/460		PHASE	3	DESIGN	B	TYPE	P
RPM	1780	AMPS	135/67.8		HZ	60	AMB	40	SF	1.15
DRIVE END BEARING	65BC03JGG30A			DUTY	CONT		INSUL.CLASS	F		
OPP D.E. BEARING	65BC03JGG30A			ENCL	TEFC		CODE	F		
SER.NO.				POWER FACTOR	87		NEMA-NOM-EFFICIENCY	95		
							MAX CORR KVAR	11	GUARANTEED EFFICIENCY	94.1
							NEMA NOM/CSA QUOTED EFF			
	SUIT FOR 208 V @ 149 AMPS						MOTOR WEIGHT			

Parts List		
Part Number	Description	Quantity
SA277816	SA A36-5275-1822	1.000 EA
RA264364	RA A36-5275-1822	1.000 EA
000613006PU	N/P (RELEASE QTY 10,000) UL CSA LABEL	1.000 EA
000692000VD	LABEL WARNING	1.000 EA
NP3159L	SUPER-E FARM DUTY, SS, CC, CSA-C US,	1.000 EA
421948032	LABEL, MYLAR	1.000 EA
032018008AK	HHCS 1/4-20X1 PLATED	4.000 EA
032018012DK	HHCS 1/2-13X1-1/2 PLTD.	4.000 EA
032018024CK	HHCS 3/8-16X3 PLTD.	3.000 EA
034180012DA	KEY 1X4X1/4X1-1/2 L	1.000 EA
034690001AB	1/8" NPT SQHDPLG	1.000 EA
702676001C	FAN 360	1.000 EA
078559001A	+FANCV - 360	1.000 EA
085922073B	BRKT 360 085922072WCC KB	1.000 EA
410700004F	WSHR	1.000 EA
415072001B	CLAMP	1.000 EA
032018012DK	HHCS 1/2-13X1-1/2 PLTD.	4.000 EA
032018024CK	HHCS 3/8-16X3 PLTD.	3.000 EA
034690001AB	1/8" NPT SQHDPLG	1.000 EA
085922093AE	BRKT 360 085922072WCC	1.000 EA
032018005AK	HHCS 1/4-20X5/8 PLATED	4.000 EA
032018008CK	HHCS 3/8-16X1L PLATED	4.000 EA
033512004LB	HHTTS 1/4-20X1/2 PLTD.	1.000 EA
043292000AJ	GASK 320-400	1.000 EA

Parts List (continued)		
Part Number	Description	Quantity
077176000L	C/BOX, 360-400	1.000 EA
077176001A	CBOXC, PAINTED 360-400	1.000 EA
402731001A	GASK 360-440	1.000 EA
406099000A	PLUG - FAN COVER 320-440	1.000 EA
415000103D	T/LUG #4AWG-1/0AWG W/HOLE FOR .250 BOLT	1.000 EA
MG1025C02	WILKOFASST SG, 787.105, TAN	0.250 GA
033775004EA	DRSCR #6-1/4 304 S.S.	2.000 EA
034180034HA	KEY 5/8X5/8X4-1/4 L	1.000 EA
415028001Y	SEAL - 360	1.000 EA
423709011C	WASHER	3.000 EA
415045002E	SLGR	1.000 EA
000692000CY	N/P	1.000 EA
034690001AB	1/8" NPT SQHDPLG	1.000 EA
034690001AB	1/8" NPT SQHDPLG	1.000 EA
034690002AB	PPLG 1/4" PLTD.	1.000 EA
034690002AB	PPLG 1/4" PLTD.	1.000 EA
032509020C	CARRIAGE BOLT - 360	3.000 EA
14PA1000	PACKAGING 314 GROUP COMBINED PRINT	1.000 EA

REL. S.O.	FRAME	HP	TYPE	PHASE/HERTZ	RPM	VOLTS
	364T	60	P	3/60	1780	230/460
AMPS	DUTY	AMB °C/INSUL.	S.F.	NEMA DESIGN	CODE LETTER	ENCL.
136/67.8	CONT	40/F	1.15	B	F	FCXE
E/S	ROTOR	TEST S.O.	TEST DATE	STATOR RES. @25 °C OHMS (BETWEEN LINES)		
-	418141035YE	---	---	.0269/.107		

PERFORMANCE

LOAD	HP	AMPERES	RPM	POWER FACTOR %	EFFICIENCY %
NO LOAD	0	18.8	1800	4.55	0
1/4	15.0	26.7	1796	56.6	93.3
2/4	30.0	38.2	1791	77.1	95.4
3/4	45.0	52.2	1786	84.5	95.5
4/4	60.0	67.8	1781	87.1	95.1
5/4	75.0	84.7	1775	87.8	94.5

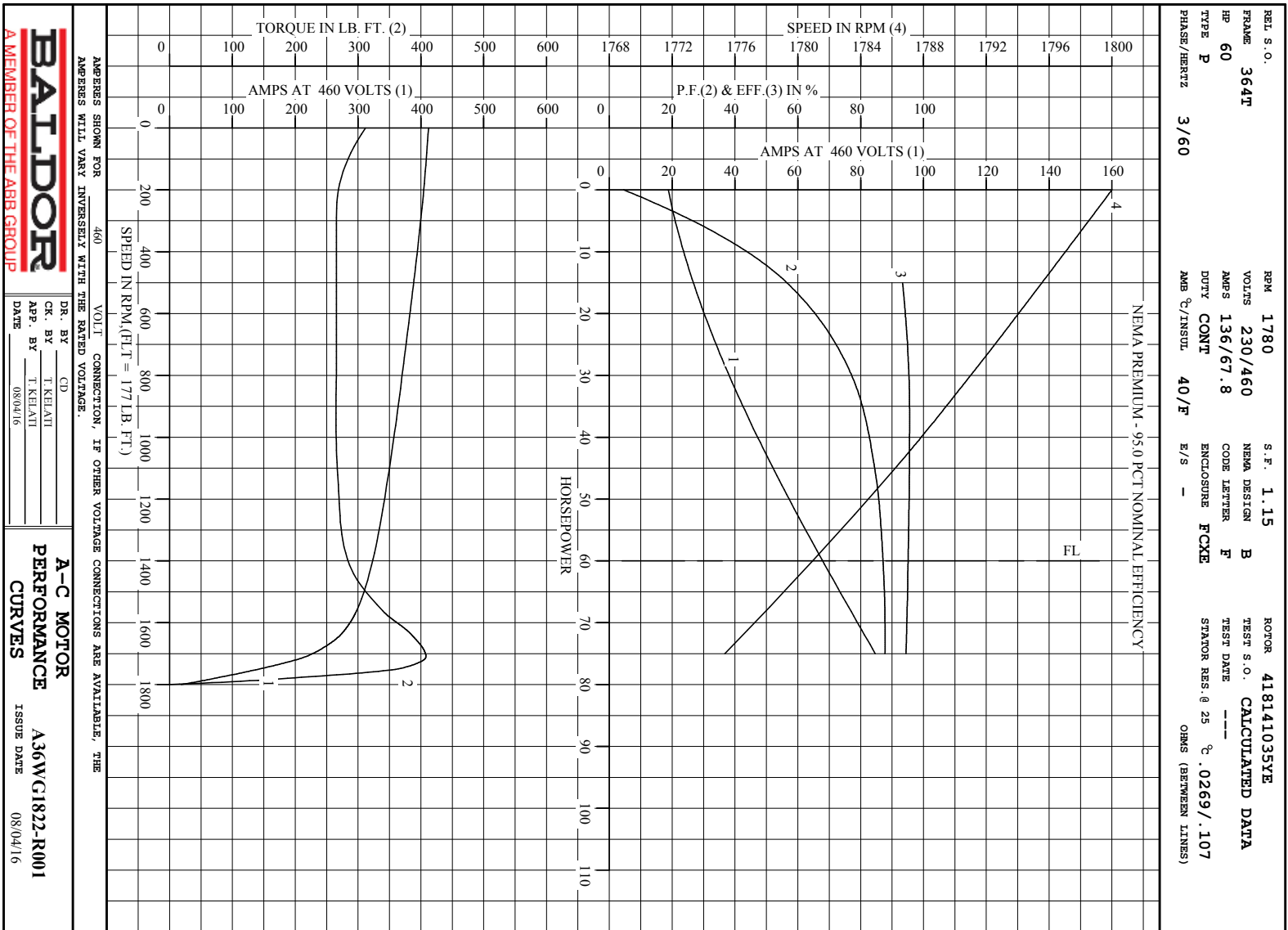
SPEED TORQUE

	RPM	TORQUE % FULL LOAD	TORQUE LB.-FT.	AMPERES
LOCKED ROTOR	0	176	312	412
PULL UP	270	150	266	401
BREAKDOWN	1710	231	408	216
FULL LOAD	1781	100	177	67.8

AMPERES SHOWN FOR 460. VOLT CONNECTION. IF OTHER VOLTAGE CONNECTIONS ARE AVAILABLE, THE AMPERES WILL VARY INVERSELY WITH THE RATED VOLTAGE

REMARKS : CALCULATED DATA
NEMA PREMIUM - 95.0 PCT NOMINAL EFFICIENCY

 A MEMBER OF THE ABB GROUP	DR. BY	CD	A-C MOTOR
	CR. BY	T. RELIANT	PERFORMANCE DATA
APP. BY	T. RELIANT	ISSUE DATE	A36WG1822-R001
DATE	08/04/16		08/04/16

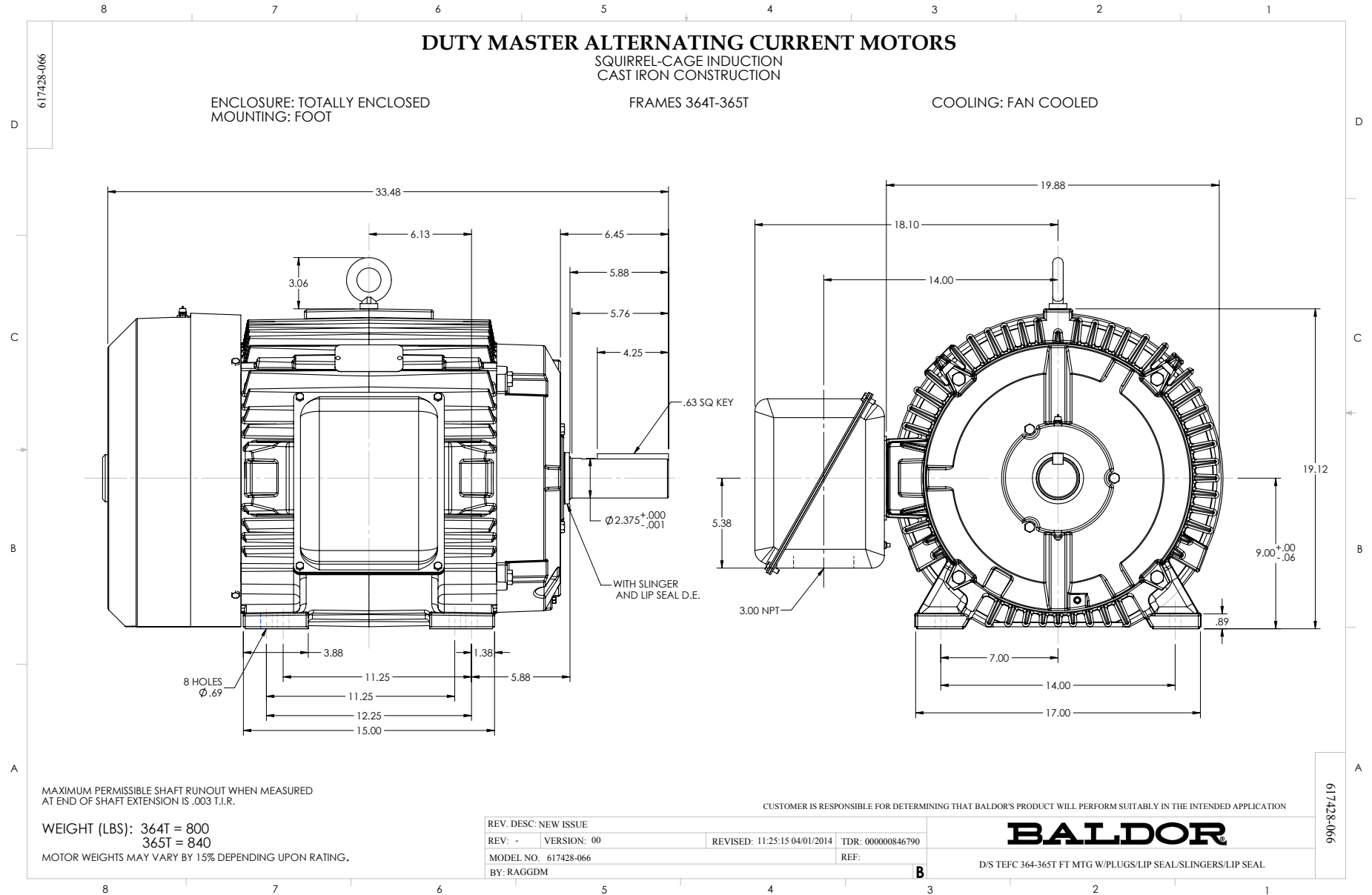


BALDOR
A MEMBER OF THE ABB GROUP

DR. BY CD
CK. BY T. KEHATI
APP. BY T. KEHATI
DATE 08/04/16

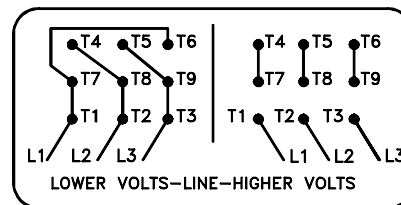
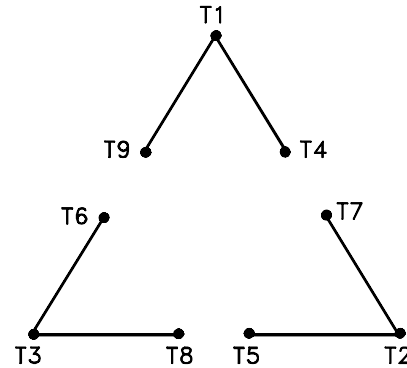
A-C MOTOR
PERFORMANCE
CURVES

A36WC1822-R001
ISSUE DATE 08/04/16



416820-002

A-C MOTOR
 CONNECTION DIAGRAM
 STANDARD 9 LEAD DELTA-CONNECTED



(N.P. 1575-B)

416820-002

REV. DESC: LOADED TO BUS, C/R 335225		
REV. LTR: -	VERSION: 00	TDR: 000000538207
FILE: \MGA\00000\661	REVISED: 10:47:51 04/30/2010	
MTL: -	BY: RAGRA	

BALDOR

CONN DIAG - STANDARD 9 LEAD, DELTA-CONNECTED

SH 1 of 1

Marketing maintained PDF of MN408:

<http://www.baldor.com/support/Literature/Load.ashx/MN408?ManNumber=MN408>

Marketing maintained PDF of MN416:

<http://www.baldor.com/support/Literature/Load.ashx/MN416?ManNumber=MN416>