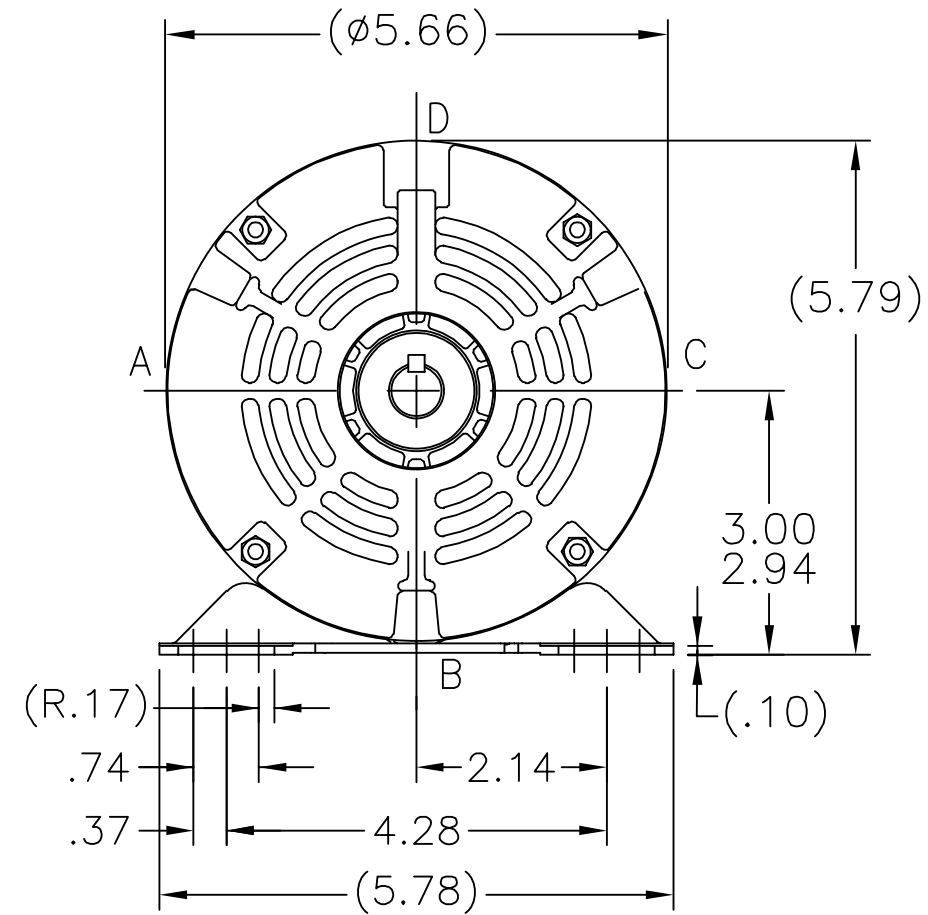
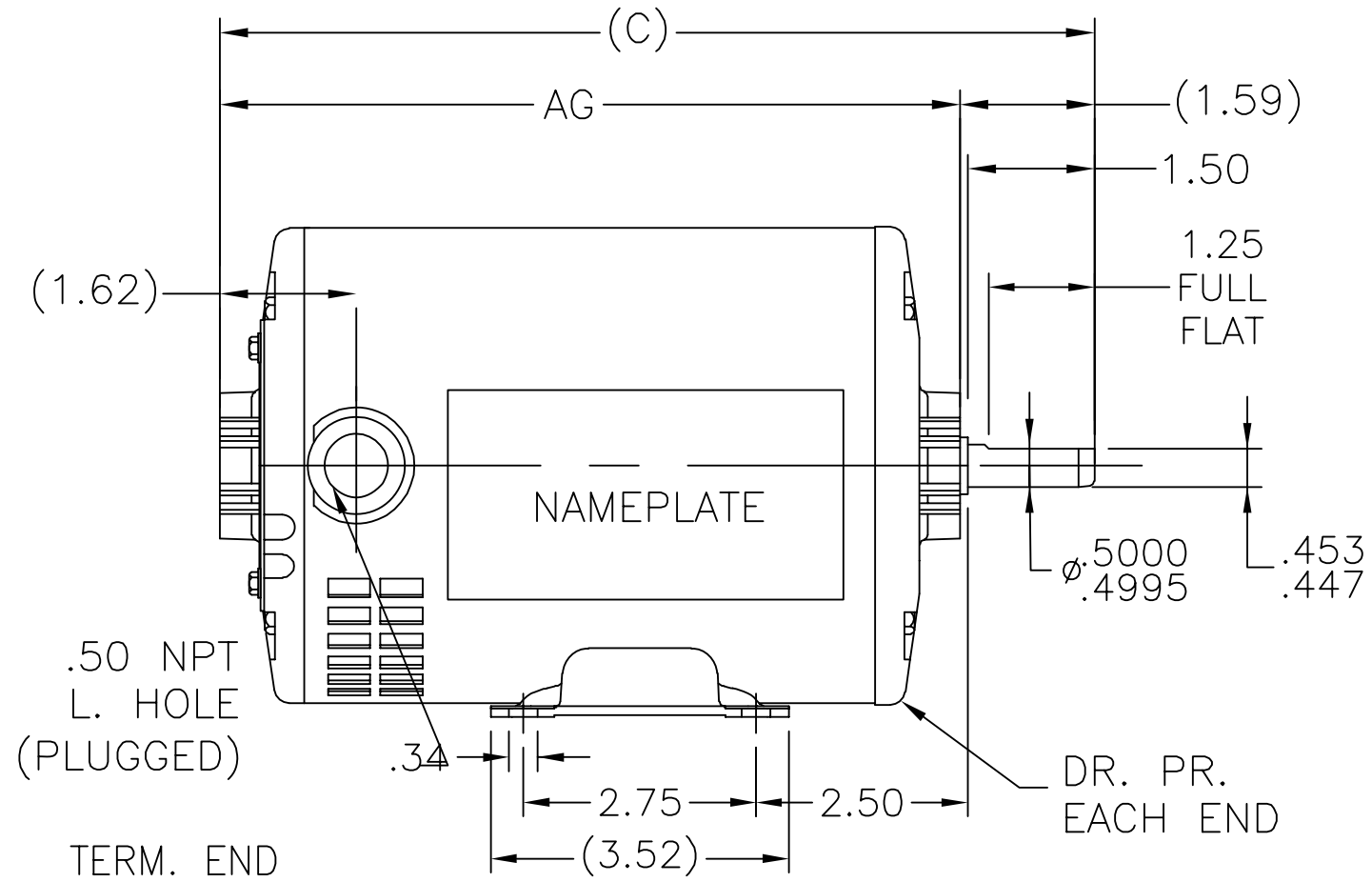


SS404126



DASH	C	AG	DASH	C	AG
550	9.09	7.50	700	10.59	9.00
575	9.34	7.75	725	10.84	9.25
600	9.59	8.00	750	11.09	9.50
625	9.84	8.25	775	11.34	9.75
650	10.09	8.50	800	11.59	10.00
675	10.34	8.75			

TOLERANCES UNLESS SPECIFIED

DEC.	INCHES
.X	±.1
.XX	±.03
.XXX	±.005
.XXXX	±.0005
ANG	±7'30"



Regal Beloit America, Inc.

TITLE OUTLINE
48 FRAME

DRAWN KPR 11/19/2014

CHK AB 12/18/2014

APPD

SCALE 1:1

REF 606-0029

FMF 048T17D11009

PREV

NO.	REVISION	BY & DATE
A	CREATED NEW DRAWING	PVR 12/18/2014

CHK	ANG	MAT'L.	FINISH
AB	.XXXX		

RFP	CAD FILE	SIZE	DRAWING NO.	PAGE	REV.
	SS404126	A	SS404126	1 OF 1	A

THIS DRAWING IN DESIGN AND DETAIL IS OUR PROPERTY AND MUST NOT BE USED EXCEPT IN CONNECTION WITH OUR WORK ALL RIGHTS OF DESIGN AND INVENTION ARE RESERVED THIS IS AN ELECTRONICALLY GENERATED DOCUMENT - DO NOT SCALE THIS PRINT