

DATE  
January 20, 2009  
CAT. #:

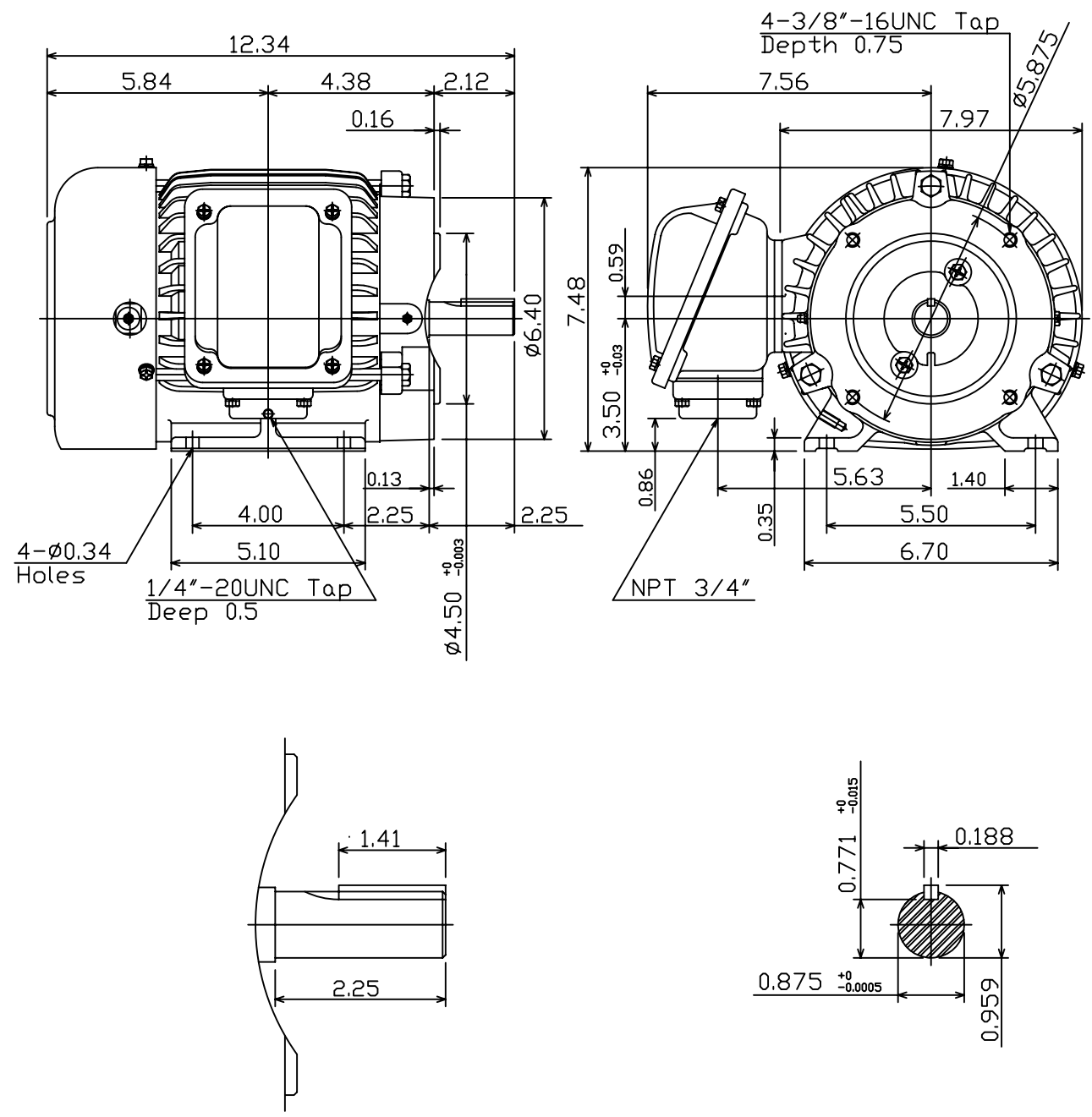
OUTLINE DIMENSIONS  
3-PHASE INDUCTION MOTOR

MOTOR TYPE:  
AEHH8B-CF  
FRAME NO. 143TC

| Pole    | HP | kW | Hz | VOLT | Syn.Speed<br>r/min(rpm) |
|---------|----|----|----|------|-------------------------|
| 2/4/6/8 | -  |    | 60 | 460  | -                       |

| Ins | Rating | Dimension in | Approx Weight | Bearings                 |
|-----|--------|--------------|---------------|--------------------------|
| F   | CONT.  | inches       | 59 lbs        | DE: 6205ZC3 NDE: 6205ZC3 |

Totally Enclosed Fan-Cooled Type.Squirrel-Cage Rotor.



Note:  
1. With Inpro Seals On Both End.

|            |  |  |
|------------|--|--|
| $\diamond$ |  |  |
|------------|--|--|

|       |          |          |
|-------|----------|----------|
| DWN.  | ???????? | 12 26 08 |
| CHKD. | ???????  | 01 14 09 |
| APPD. | ???????? | 01 14 09 |



DWG NO.  
31049M889150