

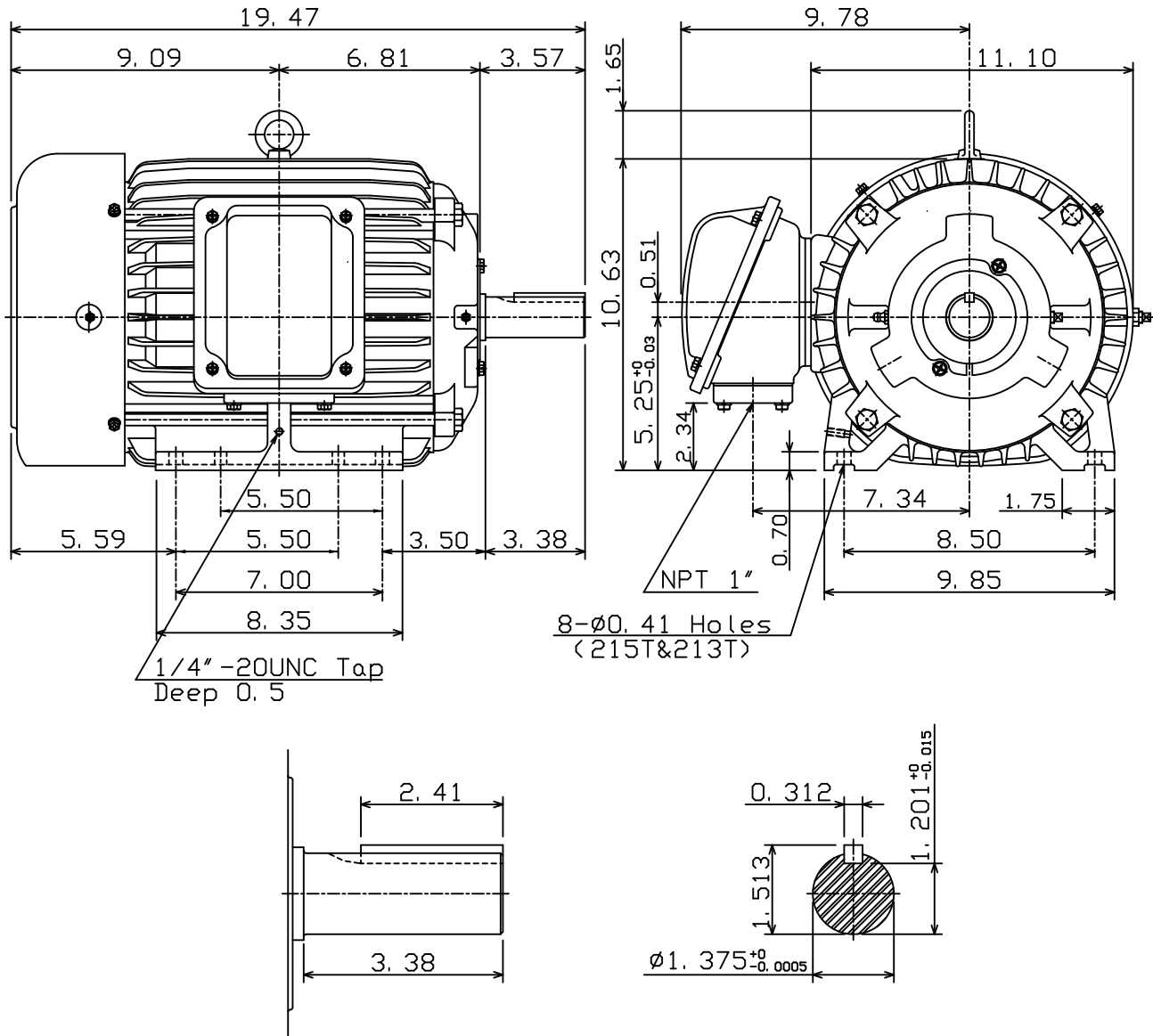
DATE
October 17, 2011
CAT. #: H0038

OUTLINE DIMENSIONS
3-PHASE INDUCTION MOTOR

MOTOR TYPE:
AEHH8B
FRAME NO. 215T

Pole	HP	kW	Hz	VOLT	Syn. Speed r/min(rpm)
8	3	2.2	60	460	900
Ins	Rating	Dimension in	Approx Weight	Bearings	
F	CONT.	inches	184 lbs	DE: 6308ZC35C NDE: 6306ZC35C	

Totally Enclosed Fan-Cooled Type, Squirrel-Cage Rotor.



- Note:
1. Motor Vibration: 7.5μ.
2. Both End With Inpro/Seal.



DWN.	C. S. LO	12-22-04
CHKD.	C. S. LO	12-27-04
APPD.	M. C. TSAI	12-27-04

TEC Westinghouse

DWG NO.
31049U595020