

DATE
JUNE 14, 2010
CAT. #: HB0204

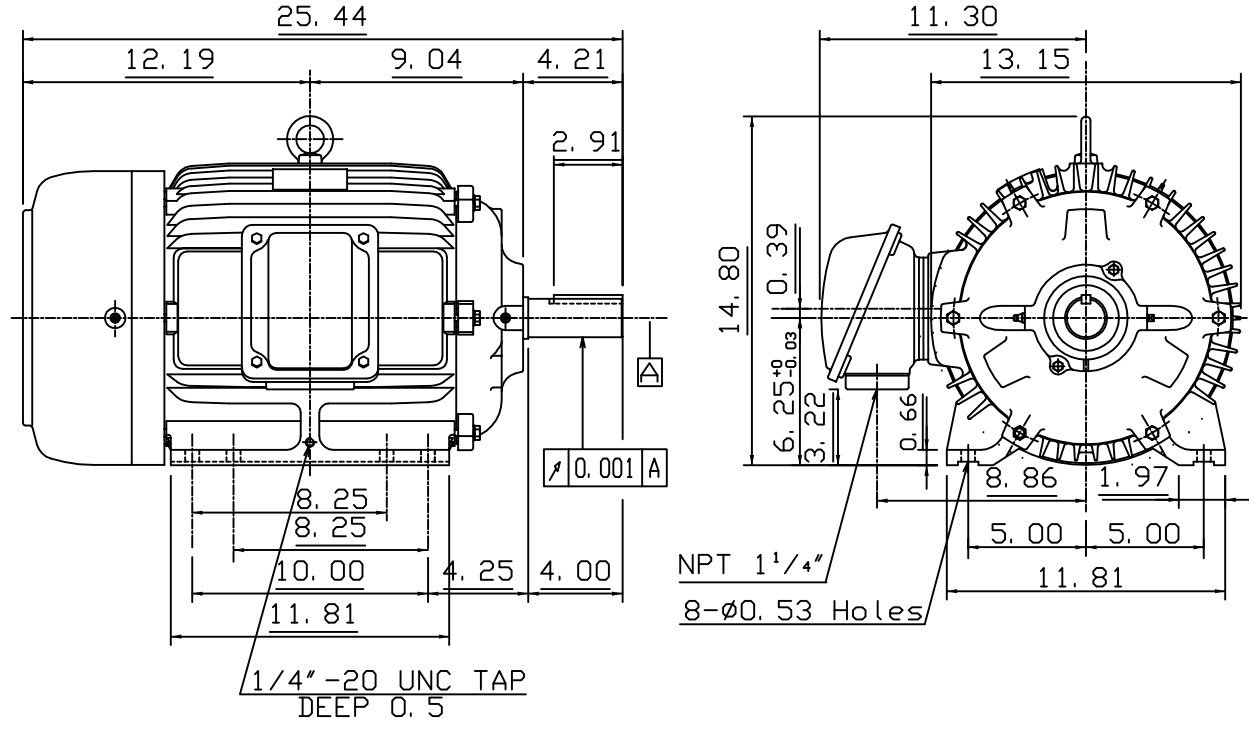
OUTLINE DIMENSIONS
3-PHASE INDUCTION MOTOR

MOTOR TYPE:
AEHH8B
FRAME NO. 256T

Pole	HP	kW	Hz	VOLT	Syn. Speed r/min(rpm)
4	20	15	60	460	1800

Ins	Rating	Dimension in	Approx Weight	Bearings
F	CONT.	inches	337 lbs.	DE: 6309ZC35CNDE: 6307ZC35C

Totally Enclosed Fan-Cooled Type. Squirrel-cage Rotor.



- Note:
1. Motor Vibration: 15 μ .
 2. Inpro/Seal in Both End Brackets

01. 20. 05 K. L. KUO

DWN. K. L. KUO 06-14-03
CHKD. C. H. KAO 06-17-03
APPD. M. C. TSAI 06-17-03



DWG NO.
31049M626311