

DATE
APRIL 27, 2004
CATALOG NO.
HB0252-50

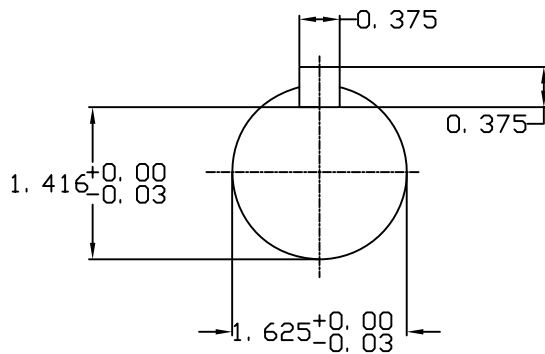
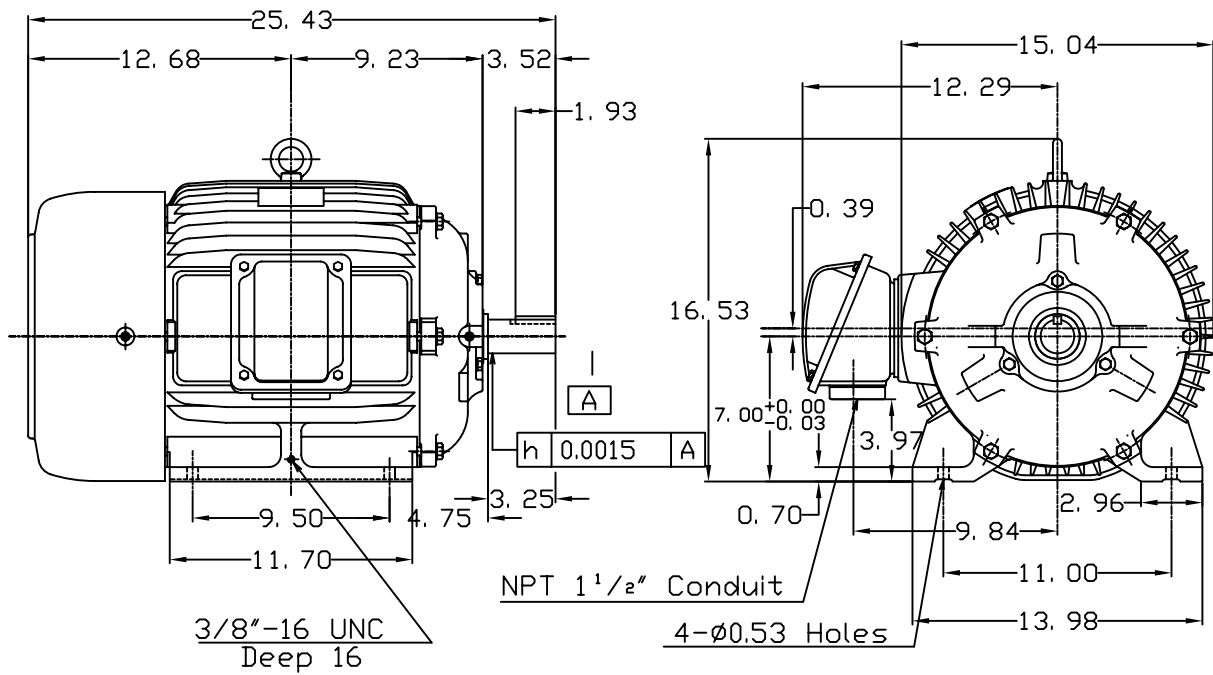
OUTLINE DIMENSIONS
3-PHASE INDUCTION MOTOR

MOTOR TYPE:
AEHH8B
FRAME NO. 284TS

| Pole | HP | KW | Hz | VOLT | Syn.Speed RPM |
|------|----|-------|----|------|------------------|
| 2 | 25 | 18.65 | 50 | 380 | 3000 |

| Ins | Rating | Dimension in | Approx Weight | Bearings |
|-----|--------|--------------|---------------|------------------------------|
| F | CONT. | inches | 394 lbs. | DE: 6311ZC35C NDE: 6310ZC35C |

Totally Enclosed Fan Cooled Type. Squirrel-cage Rotor.



| | | |
|-------|-----------|----------|
| DWN. | J.H.LIANG | 11-30-98 |
| CHKD. | C.H.KAO | 12-26-98 |
| APPD. | Y.B.HUANG | 12-26-98 |

TEC Westinghouse

DWG NO.
31049HB627020